



EO[®] Ermeto Original
DIN fittings

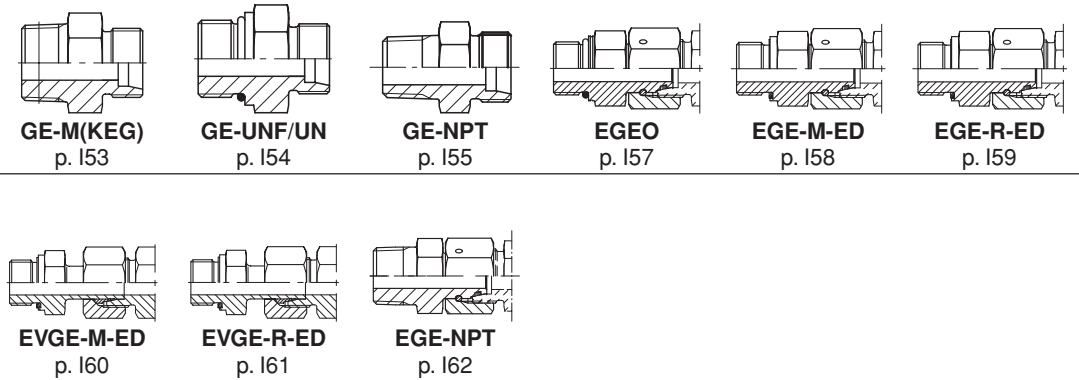


Visual index

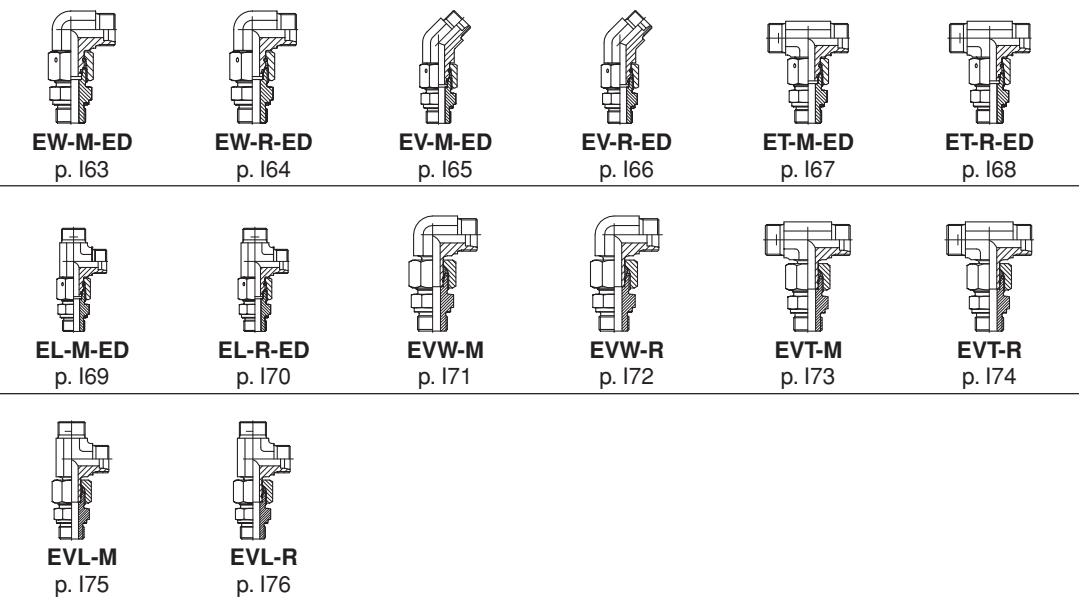
Fitting components	<p>FM p. 18</p> <p>FORM p. 110</p> <p>M p. 112</p> <p>D p. 113</p> <p>PSR p. 113</p> <p>DPR p. 113</p>
	<p>S p. 114</p>
Tube to tube	<p>G p. 115</p> <p>GR p. 116</p> <p>W p. 117</p> <p>T p. 118</p> <p>TR p. 119</p> <p>K p. 121</p>
	<p>SV p. 122</p> <p>WSV p. 123</p>
Tube to swivel	<p>EW p. 124</p> <p>EV p. 125</p> <p>ET p. 126</p> <p>EL p. 127</p> <p>EVW p. 128</p> <p>EVT p. 129</p>
	<p>EVL p. 130</p> <p>DA p. 131</p> <p>RED p. 132</p> <p>KOR (Steel/Brass) p. 136</p> <p>KOR (Stainless steel) p. 140</p>
Swivel to swivel	<p>GZ p. 142</p> <p>GZR S.43</p>
Male stud connector	<p>GEO p. 145</p> <p>GE-M-ED p. 146</p> <p>GE-R-ED p. 147</p> <p>GE-R p. 149</p> <p>GE-R(KEG) p. 151</p> <p>GE-M p. 152</p>

Visual index

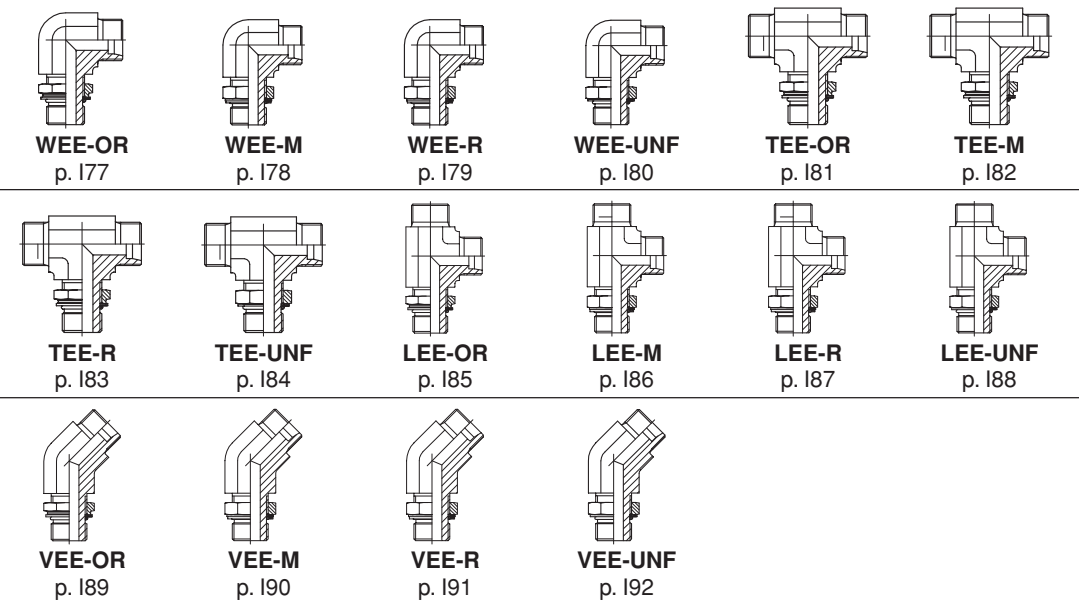
Male stud connector



Swivel adjustable

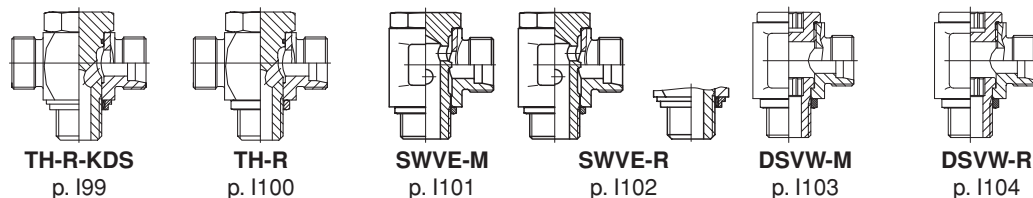
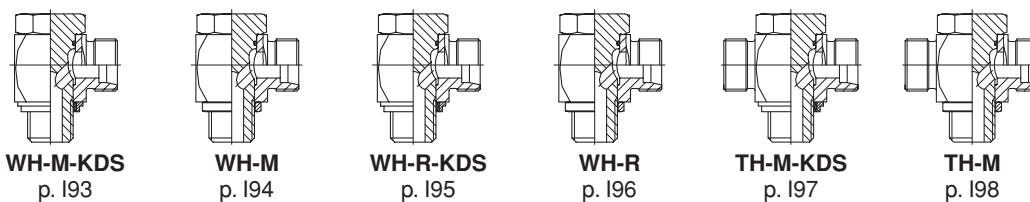


Locknut adjustable

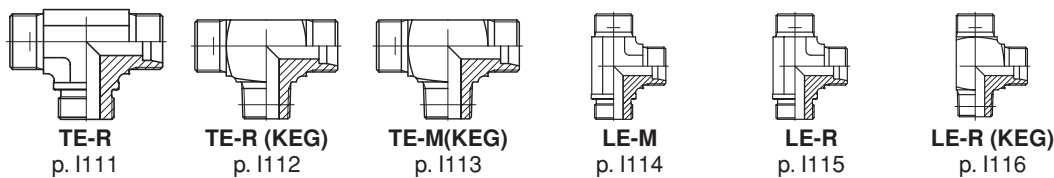
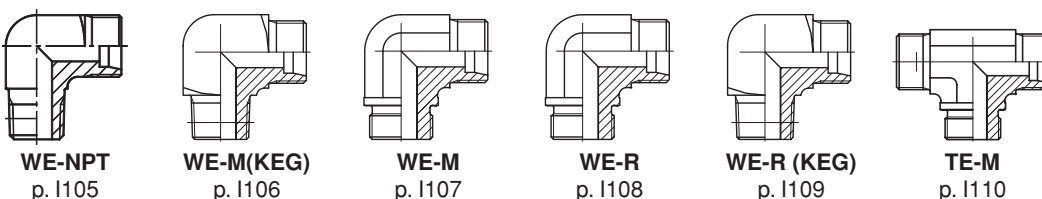


Visual index

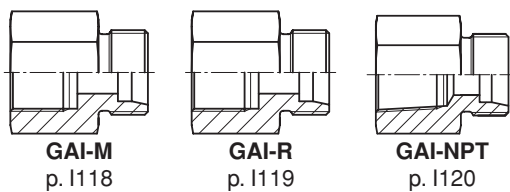
Banjo fittings



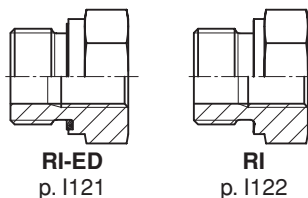
Non adjustable



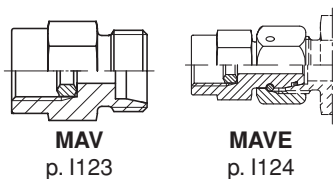
Tube to female



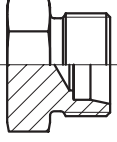
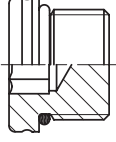
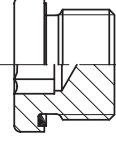
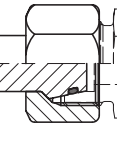
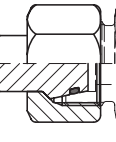
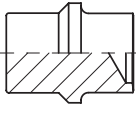
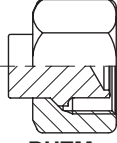

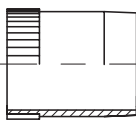
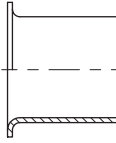


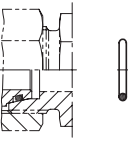





Port reducers



Pressure gauge adapter



Visual index

Plugs						
	ROV p. 1125	VSTI M-OR p. 1126	VSTI M/R-ED p. 1127	VKA p. 1128	VKAM p. 1129	BUZ p. 1130
						
	BUZM p. 1131					
Components						
	GM p. 1132	VH p. 1133	E p. 1134	DOZ p. 1135	ED p. 1136	OR p. 1137
						
	DK1 p. 1140	KDS p. 1141	KD p. 1142	DKAZ p. 1143	DKA p. 1144	

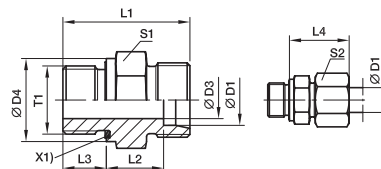
How to order

DIN fittings



GE-R-ED Male stud connector

Male BSPP thread – ED-seal (ISO 1179) / EO 24° cone end



X1) Eolastic-sealing ED

Series	D1	T1	D3	D4	L1	L2	L3	L4	S1	S2	Weight g/1 piece	Order code*	PN (bar) ¹⁾			
													CF	A3C	71	MS
S ²⁾	06	G1/4A	4	19	32,0	13,0	12	28	19	17	35	GE06SREDOMD	800	630	630	400
	06	G1/8A	4	14	27,5	12,5	8	27	14	17	21	GE06SR1/8EDOMD	315	315	315	
	06	G3/8A	4	22	34,5	15,5	12	30	22	17	52	GE06SR3/8EDOMD	630	630	630	
	06	G1/2A	4	27	39,0	18,0	14	33	27	17	83	GE06SR1/2EDOMD	630	630	630	
	08	G1/4A	5	19	34,0	15,0	12	30	19	19	41	GE08SREDOMD	800	630	630	400
	08	G3/8A	5	22	34,5	15,5	12	30	22	19	57	GE08SR3/8EDOMD	800	630	630	
	08	G1/2A	5	27	39,0	18,0	14	33	27	19	89	GE08SR1/2EDOMD	630	400	400	
	10	G3/8A	7	22	34,5	15,0	12	31	22	22	55	GE10SREDOMD	800	630	630	400
	10	G1/4A	5	19	34,0	14,5	12	31	19	22	42	GE10SR1/4EDOMD	800	630	630	
	10	G1/2A	7	27	39,0	17,5	14	34	27	22	97	GE10SR1/2EDOMD	630	630	630	
	12	G3/8A	8	22	36,5	17,0	12	33	22	24	62	GE12SREDOMD	630	630	630	400
	12	G1/4A	5	19	36,0	16,5	12	33	22	24	61	GE12SR1/4EDOMD	630	630	630	
	12	G1/2A	8	27	39,0	17,5	14	34	27	24	99	GE12SR1/2EDOMD	630	630	630	
	14	G1/2A	10	27	41,0	19,0	14	37	27	27	96	GE14SREDOMD	630	630	630	400
	14	G3/8A	8	22	38,5	18,5	12	36	24	27	74	GE14SR3/8EDOMD	630	630	630	
	14	G3/4A	10	32	45,0	21,0	16	39	32	27	138	GE14SR3/4EDOMD	400	400	400	
	16	G1/2A	12	27	41,0	18,5	14	37	27	30	91	GE16SREDOMD	630	400	400	250
	16	G3/8A	8	22	38,5	18,0	12	36	27	30	83	GE16SR3/8EDOMD	630	400	400	
	16	G3/4A	12	27	45,0	20,5	16	39	32	30	152	GE16SR3/4EDOMD	420	400	400	
	20	G3/4A	16	32	47,0	20,5	16	42	32	36	149	GE20SREDOMD	420	400	400	250
	20	G1/2A	12	27	45,0	20,5	14	42	32	36	142	GE20SR1/2EDOMD	420	400	400	
	20	G1A	16	40	51,0	22,5	18	44	41	36	265	GE20SR1EDOMD	420	400	400	
	20	G1/4A	16	50	53,0	22,5	20	44	50	36	404	GE20SR11/4EDOMD	420	400	400	
	25	G1A	20	40	53,0	23,0	18	47	41	46	266	GE25SREDOMD	420	400	400	250
	25	G1/2A	12	27	49,0	23,0	14	47	41	46	228	GE25SR1/2EDOMD	420	400	400	
	25	G3/4A	16	32	51,0	23,0	16	47	41	46	255	GE25SR3/4EDOMD	420	400	400	
	25	G1/4A	20	50	55,0	23,0	20	47	50	46	411	GE25SR11/4EDOMD	420	400	400	
	25	G1/2A	20	55	60,0	26,0	22	50	55	46	549	GE25SR11/2EDOMD	315	315	315	
	30	G1/4A	25	50	57,0	23,5	20	50	50	50	418	GE30SREDOMD	420	400	400	250
	30	G1A	20	40	55,0	23,5	18	50	46	50	344	GE30SR1EDOMD	420	400	400	
	38	G1/2A	25	55	62,0	26,5	22	53	55	50	530	GE30SR11/2EDOMD	315	315	315	200
	38	G1/2A	32	55	64,0	26,0	22	57	55	60	563	GE38SREDOMD	420	315	315	
	38	G1/4A	25	50	62,0	26,0	20	57	55	60	575	GE38SR11/4EDOMD	420	315	345	

¹⁾ Pressure shown = item deliverable

²⁾ S = heavy series

PN (bar) = PN (MPa) / 10

Delivery without nut and ring. Information on ordering complete fittings or alternative sealing materials see page 17.

*Ergänzen Sie bitte die Bestellzeichen mit den Kennbuchstaben für das gewünschte Material.

Order code suffixes			
Material	Suffix surface and material	Example	Standard sealing material (no additional suffix needed)
Steel, zinc plated, chrome ⁶⁾ -free	CF	GE16SREDOMDCF	NBR
Stahl, zinc yellow plated	A3C	GE16SREDOMDA3C	NBR
Stainless Steel	71	GE16SREDOMD71	VIT
Brass	MS	GE16SREDOMDMS	NBR

The right way to order made easy!

Step 1

Selecting order code

- 1.1 All fitting sizes available in our fitting program are clearly listed in the index at the front of this catalogue.
- 1.2 Open the catalogue at the corresponding page containing detailed information of the product of your choice.
- 1.3 Select the required fitting size! The basic order code is printed in bold type on the right-hand side of the table of dimensions.

Example: **GE16SREDOMD**

Step 2

Selecting material, surface and sealing-material

Now simply add the corresponding code for the surface and material variant of the product you require to the basic order code. This code is contained in the table printed at the bottom of every page.

2.1 Alternative sealing material

Example: chromium⁶⁾-free steel fitting with ED-seal in FKM material (e. g. Viton).
GE16SRED+OMD+VIT+CF = GE16SREDVITOMDCF

Example: Stainless steel fitting with ED-seal in NBR material (e. g. Perbunan).
GE16SREDOMD+NBR+71 = GE16SREDNBROMD71

Step 3

When ordering fittings complete with nuts and rings

3.1. Metal sealed cutting rings PSR/DPR/D: For these types please delete the 'OMD' or 'X' suffixes.
 Example: **GE16SREDCF**

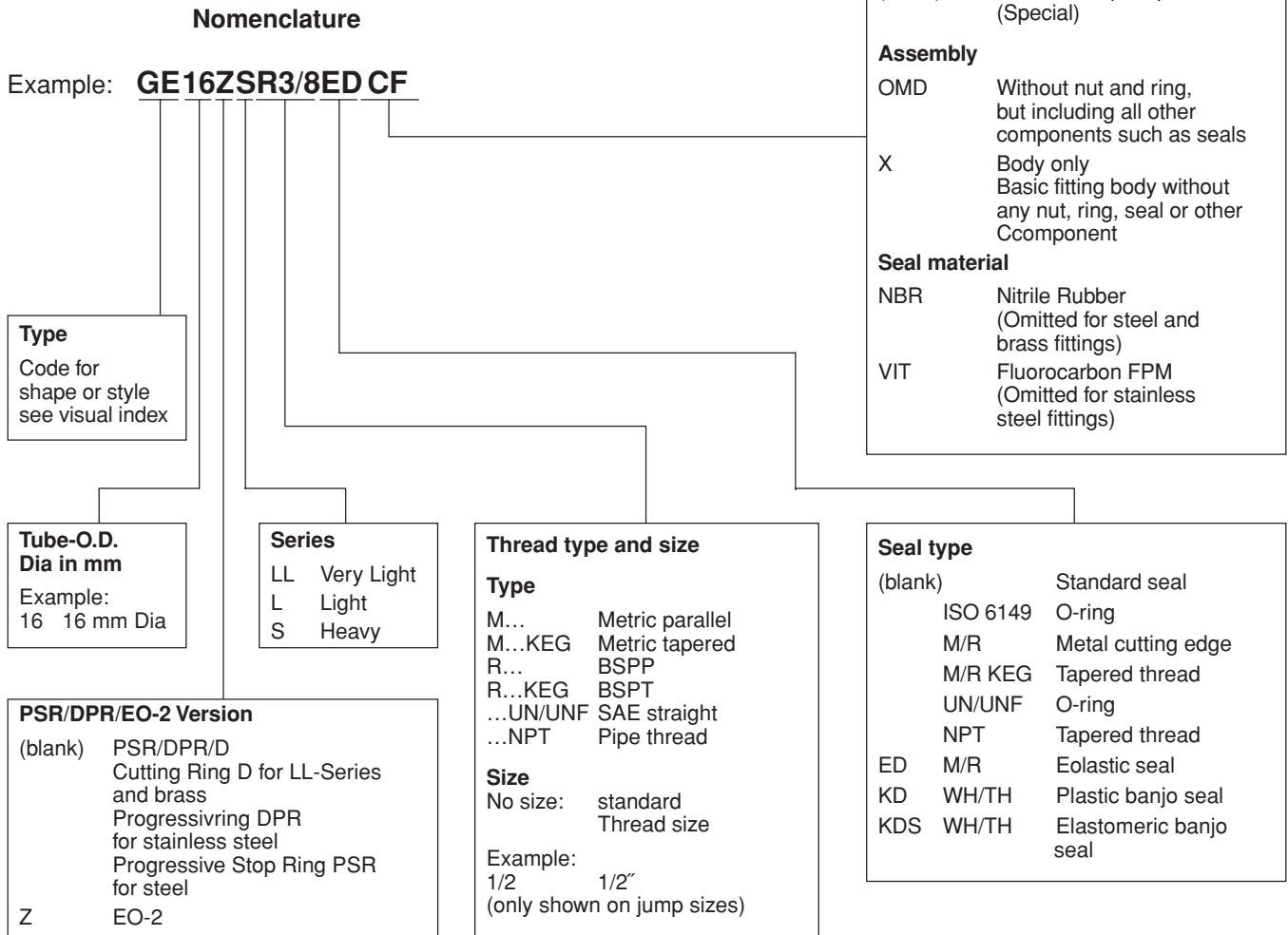
3.2. Soft sealed EO-2 functional nut: For these types please delete the 'OMD' or 'X' suffixes and add a 'Z' before the series suffix (LL, L, S)
 Example: **order with EO-2 functional nut**
GE16(+Z)SREDCF = GE16ZSREDCF

Viton = registered trademark of Bayer
 Perbunan = registered trademark of DuPont

The corresponding order variant is contained in the table printed at the bottom of every DIN chapter.



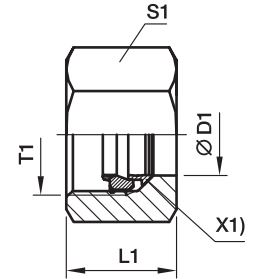
How to order EO-Fittings:



Examples			
Order code	Description	Order code	Description
GE12ZSR1/2EDCF	Straight male stud, EO-2, 20 mm tube O.D., heavy series, G 1/2 BSPP, Eolastic seal, complete with nut and ring, chromium ⁶ -free steel fitting, all seals NBR	EVT08LOMDMS	Adjustable standpipe branch tee, 8 mm tube O.D., light series, brass fitting without nut and ring, standpipe preassembled with nut and ring.
GE12LR71X	Straight male stud, 12 mm tube O.D., light series, G 3/8 BSPP, metal seal type B, stainless steel fitting, body only	EL38VITOMDA3C	Adjustable swivel nut run tee 38 mm tube O.D., heavy series, zinc-plated steel fitting without nut and ring. Swivel nut end with FKM seal
		DOZ04LL	Spare seal for EO-2 joints, 4 mm O.D., very light series, steel with nitrile rubber seal

FM EO2-Functional nut

for steel tubes



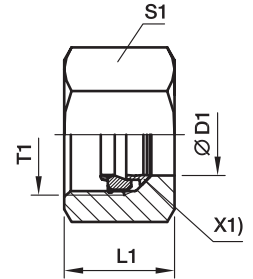
X1) Retaining ring

Series	D1 	T1	L1	S1	Order code								Weight g/1 piece
					FM...CF Steel, zinc plated Cr6 free passiv. +Sealing		FM...VITCF Steel, zinc plated Cr6 free passiv. +Sealing		FM...A3C Steel, zinc yellow plated A3C		FM...VITA3C Steel, zinc yellow plated A3C		
					Sealing NBR	PN (bar)	Sealing FKM	PN (bar)	Sealing NBR	PN (bar)	Sealing FKM	PN (bar)	
LL	04	M8×1	11.0	10	—	—	—	—	FM04LLA3C	100	—	—	5
	06	M10×1	11.5	12	—	—	—	—	FM06LLA3C	100	—	—	6
L	06	M12×1.5	14.5	14	FM06LCF	500	FM06LVITCF	500	FM06LA3C	315	FM06LVITA3C	315	12
	08	M14×1.5	14.5	17	FM08LCF	500	FM08LVITCF	500	FM08LA3C	315	FM08LVITA3C	315	17
	10	M16×1.5	15.5	19	FM10LCF	500	FM10LVITCF	500	FM10LA3C	315	FM10LVITA3C	315	22
	12	M18×1.5	15.5	22	FM12LCF	400	FM12LVITCF	400	FM12LA3C	315	FM12LVITA3C	315	30
	15	M22×1.5	17.0	27	FM15LCF	400	FM15LVITCF	400	FM15LA3C	315	FM15LVITA3C	315	48
	18	M26×1.5	18.0	32	FM18LCF	400	FM18LVITCF	400	FM18LA3C	315	FM18LVITA3C	315	70
	22	M30×2	20.0	36	FM22LCF	250	FM22LVITCF	250	FM22LA3C	160	FM22LVITA3C	160	94
	28	M36×2	21.0	41	FM28LCF	250	FM28LVITCF	250	FM28LA3C	160	FM28LVITA3C	160	106
	35	M45×2	24.0	50	FM35LCF	250	FM35LVITCF	250	FM35LA3C	160	FM35LVITA3C	160	160
	42	M52×2	24.0	60	FM42LCF	250	FM42LVITCF	250	FM42LA3C	160	FM42LVITA3C	160	244
S	06	M14×1.5	16.5	17	FM06SCF	800	FM06SVITCF	800	FM06SA3C	630	FM06SVITA3C	630	20
	08	M16×1.5	16.5	19	FM08SCF	800	FM08SVITCF	800	FM08SA3C	630	FM08SVITA3C	630	23
	10	M18×1.5	17.5	22	FM10SCF	800	FM10SVITCF	800	FM10SA3C	630	FM10SVITA3C	630	37
	12	M20×1.5	17.5	24	FM12SCF	630	FM12SVITCF	630	FM12SA3C	630	FM12SVITA3C	630	39
	14	M22×1.5	20.5	27	FM14SCF	630	FM14SVITCF	630	FM14SA3C	630	FM14SVITA3C	630	60
	16	M24×1.5	20.5	30	FM16SCF	630	FM16SVITCF	630	FM16SA3C	400	FM16SVITA3C	400	72
	20	M30×2	24.0	36	FM20SCF	420	FM20SVITCF	420	FM20SA3C	400	FM20SVITA3C	400	121
	25	M36×2	27.0	46	FM25SCF	420	FM25SVITCF	420	FM25SA3C	400	FM25SVITA3C	400	221
	30	M42×2	29.0	50	FM30SCF	420	FM30SVITCF	420	FM30SA3C	400	FM30SVITA3C	400	248
	38	M52×2	32.5	60	FM38SCF	420	FM38SVITCF	420	FM38SA3C	315	FM38SVITA3C	315	367

$$\frac{\text{PN (bar)}}{10} = \text{PN (MPa)}$$

FM EO2-Functional nut

for stainless steel tubes



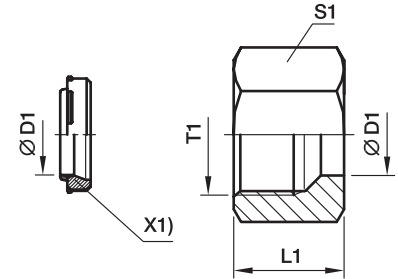
X1) Retaining ring

Series	D1 	T1	L1	S1	Order code								Weight g/1 piece
					FM...71 Stainless Steel		FM...NBR71 Stainless Steel		FM...SSA Steel, zinc plated Cr6 free passiv. +Sealing, Retaining ring: Stainless Steel		FM...VITSSA Steel, zinc plated Cr6 free passiv. +Sealing, Retaining ring: Stainless Steel		
					Sealing FKM	PN (bar)	Sealing NBR	PN (bar)	Sealing NBR	PN (bar)	Sealing FKM	PN (bar)	
LL	04	M8×1	11.0	10	—	—	—	—	FM04LLASSA	100	—	—	5
	06	M10×1	11.5	12	—	—	—	—	FM06LLSSA	100	—	—	6
L	06	M12×1.5	14.5	14	FM06L71	315	FM06LNBR71	315	FM06LSSA	315	FM06LVITSSA	315	12
	08	M14×1.5	14.5	17	FM08L71	315	FM08LNBR71	315	FM08LSSA	315	FM08LVITSSA	315	17
	10	M16×1.5	15.5	19	FM10L71	315	FM10LNBR71	315	FM10LSSA	315	FM10LVITSSA	315	22
	12	M18×1.5	15.5	22	FM12L71	315	FM12LNBR71	315	FM12LSSA	315	FM12LVITSSA	315	30
	15	M22×1.5	17.0	27	FM15L71	315	FM15LNBR71	315	FM15LSSA	315	FM15LVITSSA	315	48
	18	M26×1.5	18.0	32	FM18L71	315	FM18LNBR71	315	FM18LSSA	315	FM18LVITSSA	315	70
	22	M30×2	20.0	36	FM22L71	160	FM22LNBR71	160	FM22LSSA	160	FM22LVITSSA	160	94
	28	M36×2	21.0	41	FM28L71	160	FM28LNBR71	160	FM28LSSA	160	FM28LVITSSA	160	106
	35	M45×2	24.0	50	FM35L71	160	FM35LNBR71	160	FM35LSSA	160	FM35LVITSSA	160	160
	42	M52×2	24.0	60	FM42L71	160	FM42LNBR71	160	FM42LSSA	160	FM42LVITSSA	160	244
S	06	M14×1.5	16.5	17	FM06S71	630	FM06SNBR71	630	FM06SSSA	630	FM06SVITSSA	630	20
	08	M16×1.5	16.5	19	FM08S71	630	FM08SNBR71	630	FM08SSSA	630	FM08SVITSSA	630	23
	10	M18×1.5	17.5	22	FM10S71	630	FM10SNBR71	630	FM10SSSA	630	FM10SVITSSA	630	37
	12	M20×1.5	17.5	24	FM12S71	630	FM12SNBR71	630	FM12SSSA	630	FM12SVITSSA	630	39
	14	M22×1.5	20.5	27	FM14S71	630	FM14SNBR71	630	FM14SSSA	630	FM14SVITSSA	630	60
	16	M24×1.5	20.5	30	FM16S71	400	FM16SNBR71	400	FM16SSSA	400	FM16SVITSSA	400	72
	20	M30×2	24.0	36	FM20S71	400	FM20SNBR71	400	FM20SSSA	400	FM20SVITSSA	400	121
	25	M36×2	27.0	46	FM25S71	400	FM25SNBR71	400	FM25SSSA	400	FM25SVITSSA	400	221
30	M42×2	29.0	50	FM30S71	400	FM30SNBR71	400	FM30SSSA	400	FM30SVITSSA	400	248	
38	M52×2	32.5	60	FM38S71	315	FM38SNBR71	315	FM38SSSA	315	FM38SVITSSA	315	367	

$$\frac{\text{PN (bar)}}{10} = \text{PN (MPa)}$$

EO2-FORM Set

for steel tubes

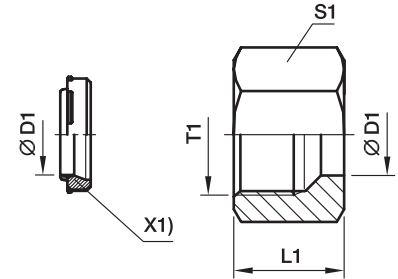


X1) Sealing (DOZ)

Series	D1 	T1	L1	S1	Order code				Weight g/1 piece
					FORM...CF Steel, zinc plated Cr6 free +Seal NBR	FORM...VITCF Steel, zinc plated Cr6 free +Seal FKM	FORM...A3C Steel, zinc yellow plated A3C NBR	FORM...VITA3C Steel, zinc yellow plated A3C FKM	
L	06	M12×1.5	14.5	14	FORM06LCF	FORM06LVITCF	FORM06LA3C	FORM06LVITA3C	11
	08	M14×1.5	14.5	17	FORM08LCF	FORM08LVITCF	FORM08LA3C	FORM08LVITA3C	16
	10	M16×1.5	15.5	19	FORM10LCF	FORM10LVITCF	FORM10LA3C	FORM10LVITA3C	20
	12	M18×1.5	15.5	22	FORM12LCF	FORM12LVITCF	FORM12LA3C	FORM12LVITA3C	27
	15	M22×1.5	17.0	27	FORM15LCF	FORM15LVITCF	FORM15LA3C	FORM15LVITA3C	45
	18	M26×1.5	18.0	32	FORM18LCF	FORM18LVITCF	FORM18LA3C	FORM18LVITA3C	67
	22	M30×2	20.0	36	FORM22LCF	FORM22LVITCF	FORM22LA3C	FORM22LVITA3C	88
	28	M36×2	21.0	41	FORM28LCF	FORM28LVITCF	FORM28LA3C	FORM28LVITA3C	99
	35	M45×2	24.0	50	FORM35LCF	FORM35LVITCF	FORM35LA3C	FORM35LVITA3C	162
	42	M52×2	24.0	60	FORM42LCF	FORM42LVITCF	FORM42LA3C	FORM42LVITA3C	233
S	06	M14×1.5	16.5	17	FORM06SCF	FORM06SVITCF	FORM06SA3C	FORM06SVITA3C	19
	08	M16×1.5	16.5	19	FORM08SCF	FORM08SVITCF	FORM08SA3C	FORM08SVITA3C	22
	10	M18×1.5	17.5	22	FORM10SCF	FORM10SVITCF	FORM10SA3C	FORM10SVITA3C	34
	12	M20×1.5	17.5	24	FORM12SCF	FORM12SVITCF	FORM12SA3C	FORM12SVITA3C	38
	14	M22×1.5	20.5	27	FORM14SCF	FORM14SVITCF	FORM14SA3C	FORM14SVITA3C	57
	16	M24×1.5	20.5	30	FORM16SCF	FORM16SVITCF	FORM16SA3C	FORM16SVITA3C	71
	20	M30×2	24.0	36	FORM20SCF	FORM20SVITCF	FORM20SA3C	FORM20SVITA3C	115
	25	M36×2	27.0	46	FORM25SCF	FORM25SVITCF	FORM25SA3C	FORM25SVITA3C	216
	30	M42×2	29.0	50	FORM30SCF	FORM30SVITCF	FORM30SA3C	FORM30SVITA3C	242
	38	M52×2	32.5	60	FORM38SCF	FORM38SVITCF	FORM38SA3C	FORM38SVITA3C	366

EO2-FORM Set

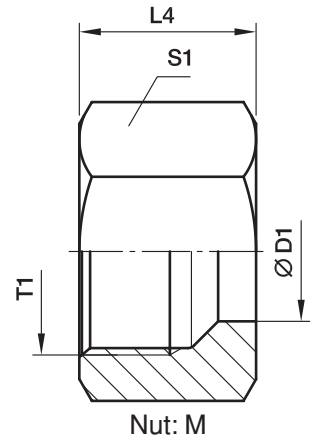
for stainless steel tubes



X1) Sealing (DOZ)

Series	D1 	T1	L1	S1	Order code				Weight g/1 piece
					FORM...71 Stainless Steel Sealing FKM	FORM...NBR71 Stainless Steel Sealing NBR	FORM...CF Steel, zinc plated Cr6 free +Seal NBR	FORM...VITCF Steel, zinc Cr6 free +Seal FKM	
L	06	M12×1.5	14.5	14	FORM06L71	FORM06LNBR71	FORM06LCF	FORM06LVITCF	11
	08	M14×1.5	14.5	17	FORM08L71	FORM08LNBR71	FORM08LCF	FORM08LVITCF	16
	10	M16×1.5	15.5	19	FORM10L71	FORM10LNBR71	FORM10LCF	FORM10LVITCF	21
	12	M18×1.5	15.5	22	FORM12L71	FORM12LNBR71	FORM12LCF	FORM12LVITCF	27
	15	M22×1.5	17.0	27	FORM15L71	FORM15LNBR71	FORM15LCF	FORM15LVITCF	46
	18	M26×1.5	18.0	32	FORM18L71	FORM18LNBR71	FORM18LCF	FORM18LVITCF	68
	22	M30×2	20.0	36	FORM22L71	FORM22LNBR71	FORM22LCF	FORM22LVITCF	89
	28	M36×2	21.0	41	FORM28L71	FORM28LNBR71	FORM28LCF	FORM28LVITCF	101
	35	M45×2	24.0	50	FORM35L71	FORM35LNBR71	FORM35LCF	FORM35LVITCF	165
	42	M52×2	24.0	60	FORM42L71	FORM42LNBR71	FORM42LCF	FORM42LVITCF	237
S	06	M14×1.5	16.5	17	FORM06S71	FORM06SNBR71	FORM06SCF	FORM06SVITCF	19
	08	M16×1.5	16.5	19	FORM08S71	FORM08SNBR71	FORM08SCF	FORM08SVITCF	22
	10	M18×1.5	17.5	22	FORM10S71	FORM10SNBR71	FORM10SCF	FORM10SVITCF	35
	12	M20×1.5	17.5	24	FORM12S71	FORM12SNBR71	FORM12SCF	FORM12SVITCF	39
	14	M22×1.5	20.5	27	FORM14S71	FORM14SNBR71	FORM14SCF	FORM14SVITCF	58
	16	M24×1.5	20.5	30	FORM16S71	FORM16SNBR71	FORM16SCF	FORM16SVITCF	71
	20	M30×2	24.0	36	FORM20S71	FORM20SNBR71	FORM20SCF	FORM20SVITCF	117
	25	M36×2	27.0	46	FORM25S71	FORM25SNBR71	FORM25SCF	FORM25SVITCF	219
	30	M42×2	29.0	50	FORM30S71	FORM30SNBR71	FORM30SCF	FORM30SVITCF	246
	38	M52×2	32.5	60	FORM38S71	FORM38SNBR71	FORM38SCF	FORM38SVITCF	372

M Nut · EO 24° Cone end



Series	D1 	T1	L4	S1	Weight g/1 piece	Order code*	PN (bar) ¹⁾			
							CF	A3C	71	MS
LL ²⁾	04	M8×1	11.0	10	4	M04LL	100	100	100	63
	06	M10×1	11.5	12	6	M06LL	100	100	100	63
	08	M12×1	12.0	14	7	M08LL	100	100	100	63
	10	M14×1	12.5	17	11	M10LL	100	100	100	63
	12	M16×1	13.0	19	13	M12LL	100	100	100	63
L ³⁾	06	M12×1.5	14.5	14	10	M06L	500	315	315	200
	08	M14×1.5	14.5	17	15	M08L	500	315	315	200
	10	M16×1.5	15.5	19	18	M10L	500	315	315	200
	12	M18×1.5	15.5	22	25	M12L	400	315	315	200
	15	M22×1.5	17.0	27	42	M15L	400	315	315	200
	18	M26×1.5	18.0	32	62	M18L	400	315	315	200
	22	M30×2	20.0	36	82	M22L	250	160	160	100
	28	M36×2	21.0	41	89	M28L	250	160	160	100
	35	M45×2	24.0	50	137	M35L	250	160	160	100
	42	M52×2	24.0	60	216	M42L	250	160	160	100
S ⁴⁾	06	M14×1.5	16.5	17	17	M06S	800	630	630	400
	08	M16×1.5	16.5	19	20	M08S	800	630	630	400
	10	M18×1.5	17.5	22	31	M10S	800	630	630	400
	12	M20×1.5	17.5	24	34	M12S	630	630	630	400
	14	M22×1.5	20.5	27	53	M14S	630	630	630	400
	16	M24×1.5	20.5	30	66	M16S	630	400	400	250
	20	M30×2	24.0	36	102	M20S	420	400	400	250
	25	M36×2	27.0	46	202	M25S	420	400	400	250
	30	M42×2	29.0	50	219	M30S	420	400	400	250
	38	M52×2	32.5	60	339	M38S	420	315	315	200

¹⁾ Pressure shown = item deliverable

²⁾ LL = very light series; ³⁾ L = light series; ⁴⁾ S = heavy series

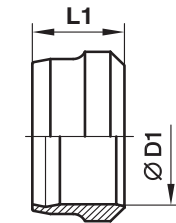
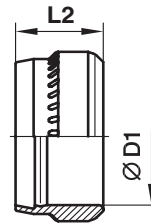
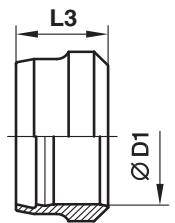
$$\frac{PN \text{ (bar)}}{10} = PN \text{ (MPa)}$$

*Please add the **suffixes** below according to the material/surface required.

Order code suffixes		
Material	Suffix surface and material	Example
Steel, zinc plated, chrome ⁶ -free	CFX	M16SCFX
Steel, zinc yellow plated	A3CX	M16SA3CX
Stainless Steel	EODURX	M16SEODURX
Brass	MSX	M16SMSX

PSR Progressive stop ring · DPR Progressive ring · D Cutting ring

for EO 24° cone end

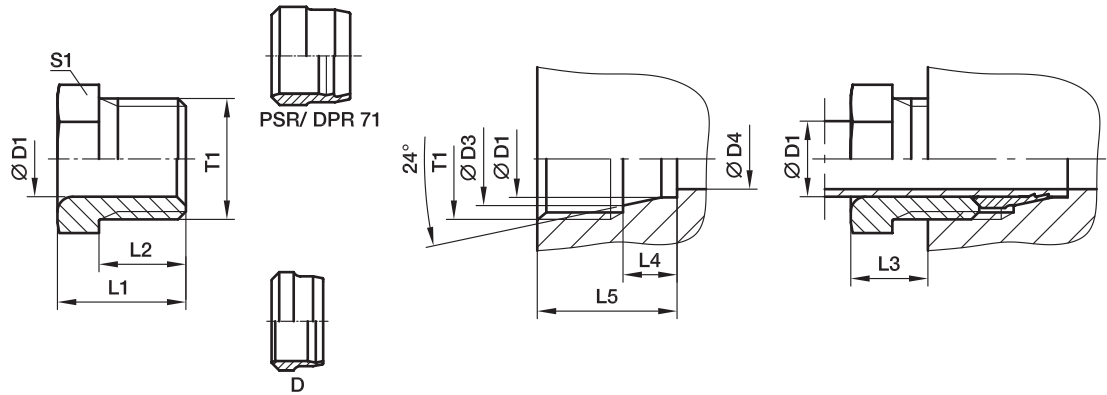

 Cutting ring:
D

 Progressive stop ring:
PSR

 Progressive ring:
DPR

Series	D1	Cutting ring D						Progressive stop ring PSR			Progressive ring DPR			Weight g/1 pc.		
		L1	Order code* Steel, zinc plated Cr6 free		Stainless Steel		Brass	PN (bar)	L2	Order code Steel, zinc plated Cr6 free	PN (bar)	L3	Order code Stainless Steel		PN (bar)	
LL	04	6.0	D04LLX	100	D04LL71X	100	D04LLMSX	63	—	—	—	—	—	—	0.3	
	06	7.0	D06LLX	100	D06LL71X	100	D06LLMSX	63	—	—	—	—	—	—	0.8	
	08	7.0	D08LLX	100	D08LL71X	100	D08LLMSX	63	—	—	—	—	—	—	1.0	
	10	7.0	D10LLX	100	D10LL71X	100	D10LLMSX	63	—	—	—	—	—	—	1.3	
	12	7.5	D12LLX	100	D12LL71X	100	D12LLMSX	63	—	—	—	—	—	—	1.6	
	L	06	9.5	—	—	—	—	D06LMSX	200	9.5	PSR06LX	500	9.0	DPR06L71X	315	1.7
08		9.0	—	—	—	—	D08LMSX	200	9.5	PSR08LX	500	9.0	DPR08L71X	315	2.2	
10		10.0	—	—	—	—	D10LMSX	200	10.0	PSR10LX	500	9.5	DPR10L71X	315	3.1	
12		10.0	—	—	—	—	D12LMSX	200	10.0	PSR12LX	400	9.8	DPR12L71X	315	3.5	
15		10.0	—	—	—	—	D15LMSX	200	10.0	PSR15LX	400	9.5	DPR15L71X	315	4.5	
18		10.0	—	—	—	—	D18LMSX	200	10.0	PSR18LX	400	9.5	DPR18L71X	315	5.5	
22		10.5	—	—	—	—	D22LMSX	100	10.5	PSR22LX	250	10.5	DPR22L71X	160	7.3	
28		10.5	—	—	—	—	D28LMSX	100	10.5	PSR28LX	250	11.0	DPR28L71X	160	9.4	
35		13.0	—	—	—	—	D35LMSX	100	13.0	PSR35LX	250	13.5	DPR35L71X	160	20.0	
42		13.5	—	—	—	—	D42LMSX	100	13.0	PSR42LX	250	13.5	DPR42L71X	160	23.0	
S		06	9.5	—	—	—	—	D06SMSX	400	9.5	PSR06SX	800	9.0	DPR06S71X	630	1.7
		08	9.0	—	—	—	—	D08SMSX	400	9.5	PSR08SX	800	9.0	DPR08S71X	630	3.2
	10	10.0	—	—	—	—	D10SMSX	400	10.0	PSR10SX	800	9.5	DPR10S71X	630	3.1	
	12	10.0	—	—	—	—	D12SMSX	400	10.0	PSR12SX	630	9.8	DPR12S71X	630	3.5	
	14	10.0	—	—	—	—	D14SMSX	400	10.0	PSR14SX	630	9.5	DPR14S71X	630	3.9	
	16	10.5	—	—	—	—	D16SMSX	250	10.0	PSR16SX	630	9.5	DPR16S71X	400	5.6	
	20	12.5	—	—	—	—	D20SMSX	250	13.0	PSR20SX	420	12.5	DPR20S71X	400	11.4	
	25	12.5	—	—	—	—	D25SMSX	250	13.0	PSR25SX	420	12.5	DPR25S71X	400	13.3	
	30	13.0	—	—	—	—	D30SMSX	250	13.0	PSR30SX	420	12.5	DPR30S71X	400	19.3	
	38	13.5	—	—	—	—	D38SMSX	200	13.0	PSR38SX	420	13.0	DPR38S71X	315	22.5	

$$\frac{\text{PN (bar)}}{10} = \text{PN (MPa)}$$

S Sleeve screw

for threaded ports according to DIN 3854



Series	D1 	T1	D3	D4	L1	L2	L3	L4	L5	S1	Weight g/1 piece	Order code*	PN (bar) ¹⁾		
													CF	A3C	71
LL ²⁾	04	M8×1	5.0	3.0	12	8.0	6	4.0	12.5	8	3	S04LL	100	100	100
	06	M10×1	7.5	4.5	13	9.0	7	5.5	14.5	10	4	S06LL	100	100	100
	08	M12×1	9.5	6.0	14	9.5	7	5.5	14.5	12	6	S08LL	100	100	100
L ³⁾	06	M12×1.5	8.1	4.0	16	11.5	10	7.0	18.5	12	9	S06L	315	315	315
	08	M14×1.5	10.1	6.0	16	11.5	10	7.0	18.5	14	11	S08L	315	315	315
	10	M16×1.5	12.3	8.0	17	11.5	10	7.0	18.5	17	15	S10L	315	315	315
	12	M18×1.5	14.3	10.0	18	12.0	10	7.0	19.0	19	19	S12L	315	315	315

¹⁾ Pressure shown = item deliverable

²⁾ LL = very light series; ³⁾ L = light series

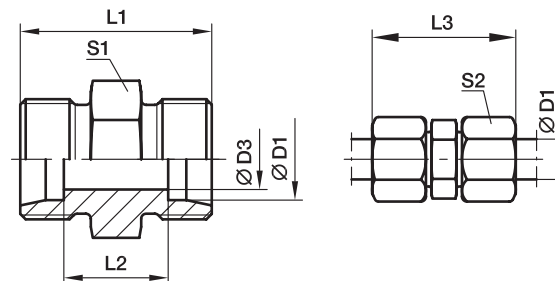
$$\frac{\text{PN (bar)}}{10} = \text{PN (MPa)}$$

*Please add the **suffixes** below according to the material/ surface required.

Order code suffixes		
Material	Suffix surface and material	Example
Steel, zinc plated, chrome ⁶ -free	CFX	S10LCFX
Steel, zinc yellow plated	A3CX	S10LA3CX
Stainless Steel	71X	S10L71X

G Union

EO 24° cone end



Series	D1 	D3	L1	L2	L3	S1	S2	Weight g/1 piece	Order code*	PN (bar) ¹⁾			
										CF	A3C	71	MS
LL ²⁾	04	3.0	20	12	31	9	10	5	G04LL	100	100	100	63
	06	4.5	20	9	32	11	12	7	G06LL	100	100	100	63
	08	6.0	23	12	35	12	14	10	G08LL	100	100	100	63
	10	8.0	23	12	35	14	17	13	G10LL	100	100	100	63
	12	10.0	23	11	35	17	19	16	G12LL	100	100	100	63
L ³⁾	06	4.0	24	10	39	12	14	12	G06L	500	315	315	200
	08	6.0	25	11	40	14	17	16	G08L	500	315	315	200
	10	8.0	27	13	42	17	19	23	G10L	500	315	315	200
	12	10.0	28	14	43	19	22	28	G12L	400	315	315	200
	15	12.0	30	16	46	24	27	51	G15L	400	315	315	200
	18	15.0	31	16	48	27	32	69	G18L	400	315	315	200
	22	19.0	35	20	52	32	36	90	G22L	250	160	160	100
	28	24.0	36	21	54	41	41	137	G28L	250	160	160	100
	35	30.0	41	20	63	46	50	214	G35L	250	160	160	100
	42	36.0	43	21	66	55	60	296	G42L	250	160	160	100
S ⁴⁾	06	4.0	30	16	45	14	17	26	G06S	800	630	630	400
	08	5.0	32	18	47	17	19	37	G08S	800	630	630	400
	10	7.0	32	17	49	19	22	44	G10S	800	630	630	400
	12	8.0	34	19	51	22	24	60	G12S	630	630	630	400
	14	10.0	38	22	57	24	27	77	G14S	630	630	630	400
	16	12.0	38	21	57	27	30	90	G16S	630	400	400	250
	20	16.0	44	23	66	32	36	143	G20S	420	400	400	250
	25	20.0	50	26	74	41	46	251	G25S	420	400	400	250
	30	25.0	54	27	80	46	50	330	G30S	420	400	400	250
	38	32.0	61	29	90	55	60	545	G38S	420	315	315	200

1) Pressure shown = item deliverable

2) LL = very light series; 3) L = light series; 4) S = heavy series

$$\frac{\text{PN (bar)}}{10} = \text{PN (MPa)}$$

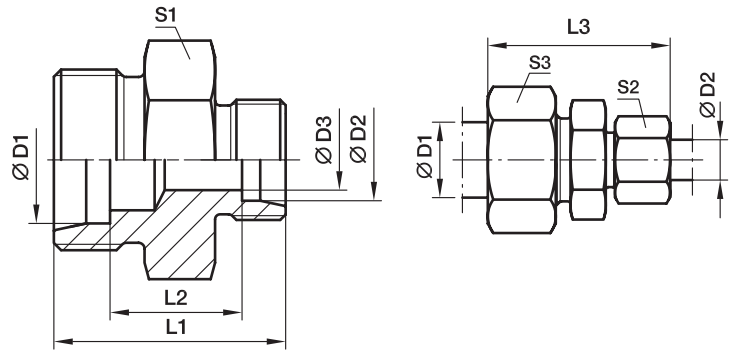
Delivery without nut and ring. Information on ordering complete fittings see page I7.

*Please add the **suffixes** below according to the material/surface required.

Order code suffixes		
Material	Suffix surface and material	Example
Steel, zinc plated, chrome ⁶ -free	CFX	G16SCFX
Steel, zinc yellow plated	A3CX	G16SA3CX
Stainless Steel	71X	G16S71X
Brass	MSX	G16SMSX

GR Straight reducer

EO 24° cone end



Series	D1	D2	D3	L1	L2	L3	S1	S2	S3	Weight g/1 piece	Order code*	PN (bar) ¹⁾			
												CF	A3C	71	MS
LL ²⁾	06	04	3.0	20	10.5	32	11	10	12	7	GR06/04LL	100	100	100	63
	08	04	3.0	22	12.5	34	12	10	14	9	GR08/04LL	100	100	100	63
	08	06	4.5	22	11.0	34	12	12	14	11	GR08/06LL	100	100	100	63
L ³⁾	08	06	4.0	25	11.0	40	14	14	17	16	GR08/06L	500	315	315	200
	10	06	4.0	26	12.0	41	17	14	19	21	GR10/06L	500	315	315	200
	10	08	6.0	26	12.0	41	17	17	19	21	GR10/08L	500	315	315	200
	12	06	4.0	27	13.0	42	19	14	22	26	GR12/06L	400	315	315	200
	12	08	6.0	27	13.0	42	19	17	22	26	GR12/08L	400	315	315	200
	12	10	8.0	28	14.0	43	19	19	22	29	GR12/10L	400	315	315	200
	15	10	8.0	29	15.0	45	24	19	27	46	GR15/10L	400	315	315	200
	15	12	10.0	29	15.0	45	24	22	27	45	GR15/12L	400	315	315	200
	18	10	8.0	30	15.5	46	27	19	32	65	GR18/10L	400	315	315	200
	18	12	10.0	30	15.5	46	27	22	32	64	GR18/12L	400	315	315	200
	18	15	12.0	31	16.5	48	27	27	32	65	GR18/15L	400	315	315	200
	22	12	10.0	32	17.5	48	32	22	36	80	GR22/12L	250	160	160	100
	22	15	12.0	33	18.5	50	32	27	36	89	GR22/15L	250	160	160	100
	22	18	15.0	33	18.0	50	32	32	36	89	GR22/18L	250	160	160	100
	28	18	15.0	34	19.0	52	41	32	41	142	GR28/18L	250	160	160	100
	28	22	19.0	36	21.0	54	41	36	41	139	GR28/22L	250	160	160	100
	35	22	19.0	39	21.0	59	46	36	50	202	GR35/22L	250	160	160	100
	35	28	24.0	39	21.0	59	46	41	50	206	GR35/28L	250	160	160	100
	42	35	30.0	43	21.5	66	55	50	60	330	GR42/35L	250	160	160	100
	S ⁴⁾	08	06	4.0	32	18.0	47	17	17	19	35	GR08/06S	800	630	630
10		06	4.0	32	17.5	48	19	17	22	41	GR10/06S	800	630	630	400
10		08	5.0	32	17.5	48	19	19	22	42	GR10/08S	800	630	630	400
12		06	4.0	34	19.5	50	22	17	24	56	GR12/06S	630	630	630	400
12		08	5.0	34	19.5	50	22	19	24	57	GR12/08S	630	630	630	400
12		10	7.0	34	19.0	51	22	22	24	59	GR12/10S	630	630	630	400
14		10	7.0	36	20.5	54	24	22	27	70	GR14/10S	630	630	630	400
14		12	8.0	36	20.5	54	24	24	27	72	GR14/12S	630	630	630	400
16		10	7.0	36	20.0	54	27	22	30	80	GR16/10S	630	400	400	250
16		12	8.0	36	20.0	54	27	24	30	87	GR16/12S	630	400	400	250
16		14	10.0	36	21.5	57	27	27	30	79	GR16/14S	630	400	400	250
20		10	7.0	40	22.0	60	32	22	36	129	GR20/10S	420	400	400	250
20		12	8.0	40	22.0	60	32	24	36	131	GR20/12S	420	400	400	250
20		16	12.0	42	23.0	63	32	30	36	134	GR20/16S	420	400	400	250
25		16	12.0	46	25.5	68	41	30	46	236	GR25/16S	420	400	400	250
25		20	16.0	48	25.5	71	41	36	46	235	GR25/20S	420	400	400	250
30		20	16.0	50	26.0	74	46	36	50	299	GR30/20S	420	400	400	250
30		25	20.0	52	26.5	77	46	46	50	317	GR30/25S	420	400	400	250
38	30	25	59	29.5	87	55	50	60	522	GR38/30S	420	315	315	200	

¹⁾ Pressure shown = item deliverable

²⁾ LL = very light series; ³⁾ L = light series; ⁴⁾ S = heavy series

$$\frac{\text{PN (bar)}}{10} = \text{PN (MPa)}$$

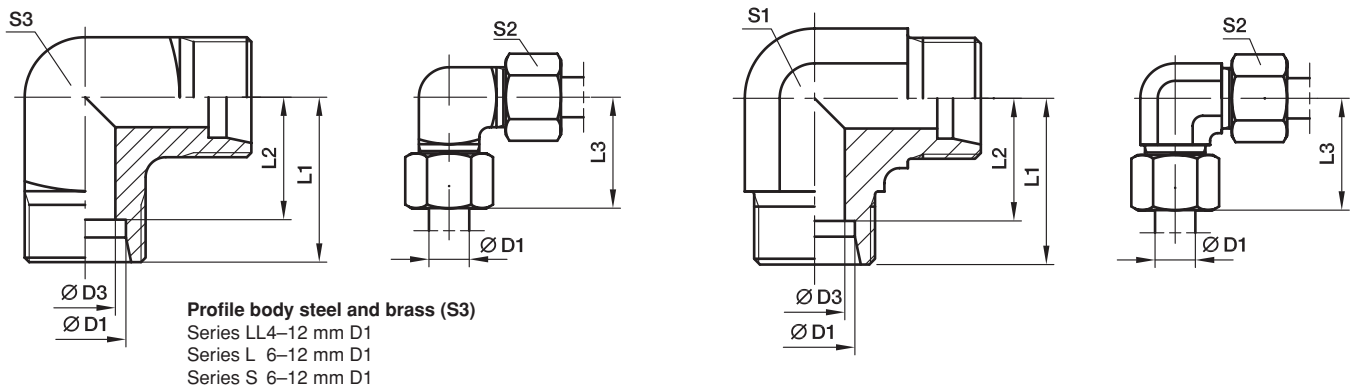
Delivery without nut and ring. Information on ordering complete fittings see page I7.

*Please add the **suffixes** below according to the material/surface required.

Order code suffixes		
Material	Suffix surface and material	Example
Steel, zinc plated, chrome ⁶ -free	CFX	GR16/12SCFX
Steel, zinc yellow plated	A3CX	GR16/12SA3CX
Stainless Steel	71X	GR16/12S71X
Brass	MSX	GR16/12SMSX

W Union elbow

EO 24° cone end



Series	D1	D3	L1	L2	L3	S1	S2	S3	Weight g/1 piece	Order code*	PN (bar) ¹⁾			
											CF	A3C	71	MS
LL ²⁾	04	3.0	15	11.0	21	9	10	9	13	W04LL	100	100	100	63
	06	4.5	15	9.5	21	9	12	11	15	W06LL	100	100	100	63
	08	6.0	17	11.5	23	12	14	12	23	W08LL	100	100	100	63
	10	8.0	18	12.5	24	12	17	14	32	W10LL	100	100	100	63
	12	10.0	19	13.0	25	14	19	17	41	W12LL	100	100	100	63
L ³⁾	06	4.0	19	12.0	27	12	14	12	29	W06L	500	315	315	200
	08	6.0	21	14.0	29	12	17	14	43	W08L	500	315	315	200
	10	8.0	22	15.0	30	14	19	17	54	W10L	500	315	315	200
	12	10.0	24	17.0	32	17	22	19	80	W12L	400	315	315	200
	15	12.0	28	21.0	36	19	27		81	W15L	400	315	315	200
	18	15.0	31	23.5	40	24	32		140	W18L	400	315	315	200
	22	19.0	35	27.5	44	27	36		178	W22L	250	160	160	100
	28	24.0	38	30.5	47	36	41		340	W28L	250	160	160	100
	35	30.0	45	34.5	56	41	50		458	W35L	250	160	160	100
	42	36.0	51	40.0	63	50	60		776	W42L	250	160	160	100
	S ⁴⁾	06	4.0	23	16.0	31	12	17	14	52	W06S	800	630	630
08		5.0	24	17.0	32	14	19	17	74	W08S	800	630	630	400
10		7.0	25	17.5	34	17	22	19	97	W10S	800	630	630	400
12		8.0	29	21.5	38	17	24	22	137	W12S	630	630	630	400
14		10.0	30	22.0	40	19	27		145	W14S	630	630	630	400
16		12.0	33	24.5	43	24	30		162	W16S	630	400	400	250
20		16.0	37	26.5	48	27	36		221	W20S	420	400	400	250
25		20.0	42	30.0	54	36	46		424	W25S	420	400	400	250
30		25.0	49	35.5	62	41	50		603	W30S	420	400	400	250
38		32.0	57	41.0	72	50	60		1010	W38S	420	315	315	200

¹⁾ Pressure shown = item deliverable

²⁾ LL = very light series; ³⁾ L = light series; ⁴⁾ S = heavy series

$\frac{PN(\text{bar})}{10} = PN(\text{MPa})$

Delivery without nut and ring. Information on ordering complete fittings see page I7.

Order code suffixes		
Material	Suffix surface and material	Example
Steel, zinc plated, chrome ⁶ -free	CFX	W16SCFX
Steel, zinc yellow plated	A3CX	W16SA3CX
Stainless Steel	71X	W16S71X
Brass	MSX	W16SMSX

*Please add the **suffixes** below according to the material/surface required.

T Union tee

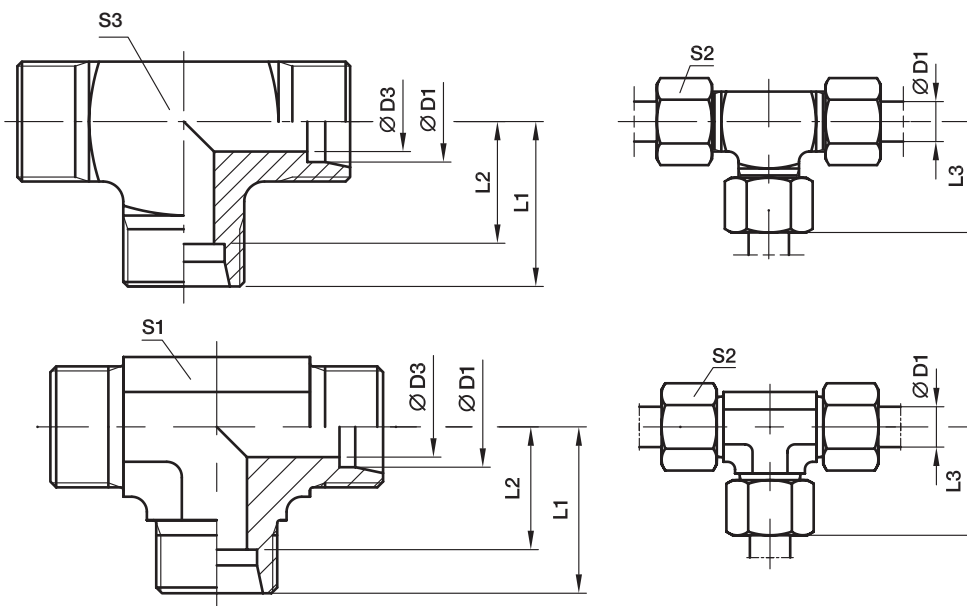
EO 24° cone end

profile body steel and brass (S3)

Series LL4-10 mm D1

Series L 6+ 8 mm D1

Series S 6 mm D1



Series	D1	D3	L1	L2	L3	S1	S2	S3	Weight g/1 piece	Order code*	PN (bar) ¹⁾			
											CF	A3C	71	MS
LL ²⁾	04	3.0	15	11.0	21	9	10	9	19	T04LL	100	100	100	63
	06	4.5	15	9.5	21	9	12	11	20	T06LL	100	100	100	63
	08	6.0	17	11.5	23	12	14	12	27	T08LL	100	100	100	63
	10	8.0	18	12.5	24	12	17	14	39	T10LL	100	100	100	63
	12	10.0	21	15.0	27	14	19	19	45	T12LL	100	100	100	63
L ³⁾	06	4.0	19	12.0	27	12	14	12	37	T06L	500	315	315	200
	08	6.0	21	14.0	29	12	17	14	53	T08L	500	315	315	200
	10	8.0	22	15.0	30	14	19		48	T10L	500	315	315	200
	12	10.0	24	17.0	32	17	22		65	T12L	400	315	315	200
	15	12.0	28	21.0	36	19	27		106	T15L	400	315	315	200
	18	15.0	31	23.5	40	24	32		179	T18L	400	315	315	200
	22	19.0	35	27.5	44	27	36		225	T22L	250	160	160	100
	28	24.0	38	30.5	47	36	41		396	T28L	250	160	160	100
	35	30.0	45	34.5	56	41	50		567	T35L	250	160	160	100
	42	36.0	51	40.0	63	50	60		905	T42L	250	160	160	100
S ⁴⁾	06	4.0	23	16.0	31	12	17	14	68	T06S	800	630	630	400
	08	5.0	24	17.0	32	14	19		70	T08S	800	630	630	400
	10	7.0	25	17.5	34	17	22		91	T10S	800	630	630	400
	12	8.0	29	21.5	38	17	24		117	T12S	630	630	630	400
	14	10.0	30	22.0	40	19	27		136	T14S	630	630	630	400
	16	12.0	33	24.5	43	24	30		202	T16S	630	400	400	250
	20	16.0	37	26.5	48	27	36		289	T20S	420	400	400	250
	25	20.0	42	30.0	54	36	46		545	T25S	420	400	400	250
	30	25.0	49	35.5	62	41	50		758	T30S	420	400	400	250
	38	32.0	57	41.0	72	50	60		1264	T38S	420	315	315	200

¹⁾ Pressure shown = item deliverable

²⁾ LL = very light series; ³⁾ L = light series; ⁴⁾ S = heavy series

$$\frac{\text{PN (bar)}}{10} = \text{PN (MPa)}$$

Delivery without nut and ring. Information on ordering complete fittings see page 17.

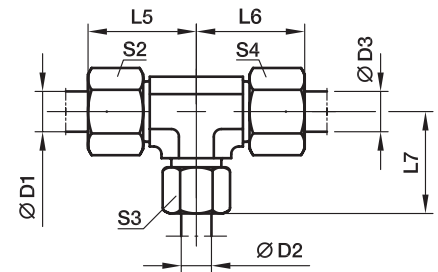
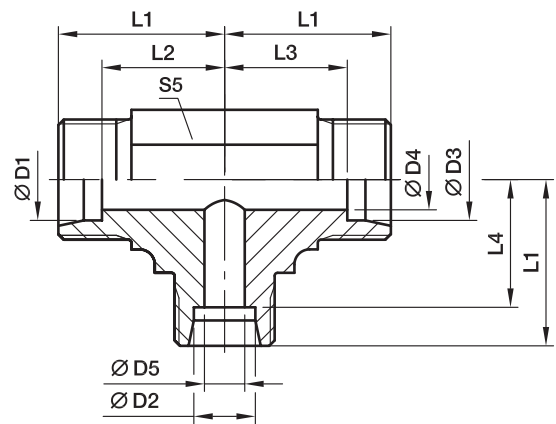
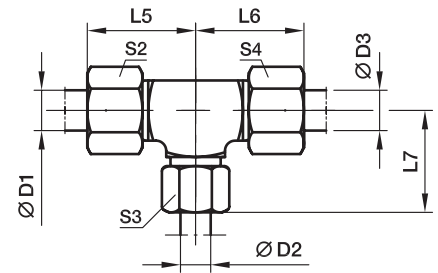
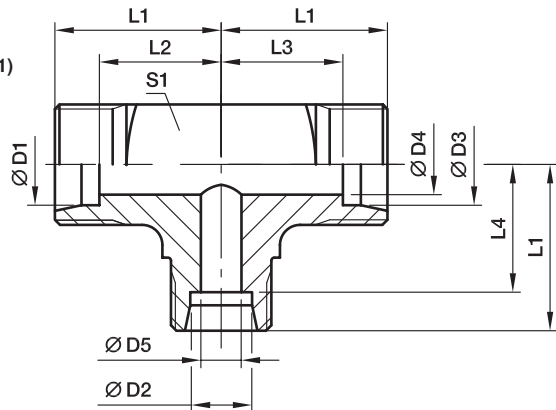
*Please add the **suffixes** below according to the material/surface required.

Order code suffixes		
Material	Suffix surface and material	Example
Steel, zinc plated, chrome ⁶ -free	CFX	T16SCFX
Steel, zinc yellow plated	A3CX	T16SA3CX
Stainless Steel	71X	T16S71X
Brass	MSX	T16SMSX

TR Tee Reducer

EO 24° cone end

Profile body steel and brass (S1)
Series LL 4-8 mm D1, D2, D3
Series L 6+8 mm D1, D2, D3



Series	D1			D2		D3		D4	D5	L1	L2	L3	L4	L5	L6	L7	S1	S2	S3	S4	S5	Weight g/1 piece	Order code*	PN (bar) ¹⁾			
	Ø	Ø	Ø	Ø	Ø	Ø	CF																	A3C	71	MS	
LL ²⁾	04	08	04	3.0	6	17	13.0	13.0	11.5	23	23	23	12	10	14	10	12	27	TR04/08/04LL	100	100	100	63				
	06	04	06	4.5	3	15	9.5	9.5	11.0	21	21	21	11	12	10	12	9	18	TR06/04/06LL	100	100	100	63				
L ³⁾	06	08	06	4.0	6	21	14.0	14.0	14.0	29	29	29	14	14	17	14	12	54	TR06/08/06L	500	315	315	200				
	08	06	08	6.0	4	21	14.0	14.0	14.0	29	29	29	14	17	14	17	12	53	TR08/06/08L	500	315	315	200				
	06	10	06	4.0	8	22	15.0	15.0	15.0	30	30	30	14	14	19	14	14	53	TR06/10/06L	500	315	315	200				
	08	10	08	6.0	8	22	15.0	15.0	15.0	30	30	30	17	19	17	14	14	50	TR08/10/08L	500	315	315	200				
	10	06	10	8.0	4	22	15.0	15.0	15.0	30	30	30	19	14	19	14	14	46	TR10/06/10L	500	315	315	200				
	10	08	10	8.0	6	22	15.0	15.0	15.0	30	30	30	19	17	19	14	14	43	TR10/08/10L	500	315	315	200				
	10	10	06	4.0	8	22	15.0	15.0	15.0	30	30	30	19	19	14	14	14	49	TR10/10/06L	500	315	315	200				
	08	12	08	6.0	10	24	17.0	17.0	17.0	32	32	32	17	22	17	17	17	67	TR08/12/08L	400	315	315	200				
	12	06	12	10.0	4	24	17.0	17.0	17.0	32	32	32	22	14	22	17	17	66	TR12/06/12L	400	315	315	200				
	12	08	08	6.0	6	24	17.0	17.0	17.0	32	32	32	22	17	17	17	17	66	TR12/08/08L	400	315	315	200				
	12	08	12	10.0	6	24	17.0	17.0	17.0	32	32	32	22	17	22	17	17	68	TR12/08/12L	400	315	315	200				
	12	10	10	8.0	8	24	17.0	17.0	17.0	32	32	32	22	19	19	17	17	67	TR12/10/10L	400	315	315	200				
	12	10	12	10.0	8	24	17.0	17.0	17.0	32	32	32	22	19	22	17	17	67	TR12/10/12L	400	315	315	200				
	12	12	10	8.0	10	24	17.0	17.0	17.0	32	32	32	22	22	19	17	17	64	TR12/12/10L	400	315	315	200				
	10	15	10	8.0	12	28	21.0	21.0	21.0	36	36	36	19	27	19	19	19	105	TR10/15/10L	400	315	315	200				
	12	15	12	10.0	12	28	21.0	21.0	21.0	36	36	36	22	27	22	19	19	102	TR12/15/12L	400	315	315	200				
	15	06	15	12.0	4	28	21.0	21.0	21.0	36	36	36	27	14	27	19	19	107	TR15/06/15L	400	315	315	200				
	15	10	15	12.0	8	28	21.0	21.0	21.0	36	36	36	27	19	27	19	19	105	TR15/10/15L	400	315	315	200				
	15	12	12	10.0	10	28	21.0	21.0	21.0	36	36	36	27	22	22	19	19	101	TR15/12/12L	400	315	315	200				
	15	12	15	12.0	10	28	21.0	21.0	21.0	36	36	36	27	22	27	19	19	105	TR15/12/15L	400	315	315	200				
	15	15	12	10.0	12	28	21.0	21.0	21.0	36	36	36	27	27	22	19	19	103	TR15/15/12L	400	315	315	200				
	12	18	12	10.0	15	31	24.0	24.0	23.5	39	39	40	22	32	22	24	24	177	TR12/18/12L	400	315	315	200				
	18	10	10	8.0	8	31	23.5	24.0	24.0	40	39	39	32	19	19	24	24	173	TR18/10/10L	400	315	315	200				
	18	10	18	15.0	8	31	23.5	23.5	24.0	40	40	39	32	19	32	24	24	182	TR18/10/18L	400	315	315	200				
	18	12	18	15.0	10	31	23.5	23.5	24.0	40	40	39	32	22	32	24	24	174	TR18/12/18L	400	315	315	200				

TR Tee Reducer

EO 24° cone end

Series	D1	D2	D3	D4	D5	L1	L2	L3	L4	L5	L6	L7	S1	S2	S3	S4	S5	Weight g/1 piece	Order code*	PN (bar) ¹⁾				
																				CF	A3C	71	MS	
L ³⁾	18	15	18	15.0	12	31	23.5	23.5	24.0	40	40	39		32	27	32	24	179	TR18/15/18L	400	315	315	200	
	18	18	10	8.0	15	31	23.5	24.0	23.5	40	39	40		32	32	19	24	171	TR18/18/10L	400	315	315	200	
	22	10	22	19.0	8	35	27.5	27.5	28.0	44	44	43		36	19	36	27	232	TR22/10/22L	250	160	160	100	
	22	12	22	19.0	10	35	27.5	27.5	28.0	44	44	43		36	22	36	27	229	TR22/12/22L	250	160	160	100	
	22	15	15	12.0	12	35	27.5	28.0	28.0	44	43	43		36	27	27	27	240	TR22/15/15L	250	160	160	100	
	22	15	22	19.0	12	35	27.5	27.5	28.0	44	44	43		36	27	36	27	233	TR22/15/22L	250	160	160	100	
	22	18	18	15.0	15	35	27.5	27.5	27.5	44	44	44		36	32	32	27	236	TR22/18/18L	250	160	160	100	
	22	18	22	19.0	15	35	27.5	27.5	27.5	44	44	44		36	32	36	27	239	TR22/18/22L	250	160	160	100	
	22	22	18	15.0	19	35	27.5	27.5	27.5	44	44	44		36	36	32	27	228	TR22/22/18L	250	160	160	100	
	28	10	28	24.0	8	38	30.5	30.5	31.0	47	47	46		41	19	41	36	412	TR28/10/28L	250	160	160	100	
	28	12	28	24.0	10	38	30.5	30.5	31.0	47	47	46		41	22	41	36	408	TR28/12/28L	250	160	160	100	
	28	15	28	24.0	12	38	30.5	30.5	31.0	47	47	46		41	27	41	36	423	TR28/15/28L	250	160	160	100	
	28	18	28	24.0	15	38	30.5	30.5	30.5	47	47	47		41	32	41	36	421	TR28/18/28L	250	160	160	100	
	28	22	22	19.0	19	38	30.5	30.5	30.5	47	47	47		41	36	36	36	412	TR28/22/22L	250	160	160	100	
	28	22	28	24.0	19	38	30.5	30.5	30.5	47	47	47		41	36	41	36	415	TR28/22/28L	250	160	160	100	
	S ⁴⁾	10	06	10	7.0	4	25	17.5	17.5	18.0	34	34	33		22	17	22	17	103	TR10/06/10S	800	630	630	400
		12	08	08	5.0	5	29	21.5	22.0	22.0	38	37	37		24	19	19	17	107	TR12/08/08S	630	630	630	400
		12	08	12	8.0	5	29	21.5	21.5	22.0	38	38	37		24	19	24	17	105	TR12/08/12S	630	630	630	400
12		10	12	8.0	7	29	21.5	21.5	21.5	38	38	38		24	22	24	17	114	TR12/10/12S	630	630	630	400	
12		16	12	8.0	12	33	25.5	25.5	24.5	42	42	43		24	30	24	24	190	TR12/16/12S	630	400	400	250	
16		06	16	12.0	4	33	24.5	24.5	26.0	43	43	41		30	17	30	24	176	TR16/06/16S	630	400	400	250	
16		08	16	12.0	5	33	24.5	24.5	26.0	43	43	41		30	19	30	24	208	TR16/08/16S	630	400	400	250	
16		10	16	12.0	7	33	24.5	24.5	25.5	43	43	42		30	22	30	24	210	TR16/10/16S	630	400	400	250	
16		12	16	12.0	8	33	24.5	24.5	25.5	43	43	42		30	24	30	24	386	TR16/12/16S	630	400	400	250	
16		20	16	12.0	16	37	28.5	28.5	26.5	47	47	48		30	36	30	27	296	TR16/20/16S	420	400	400	250	
20		10	20	16.0	7	37	26.5	26.5	29.5	48	48	46		36	22	36	27	553	TR20/10/20S	420	400	400	250	
20		12	20	16.0	8	37	26.5	26.5	29.5	48	48	46		36	24	36	27	306	TR20/12/20S	420	400	400	250	
20		16	20	16.0	12	37	26.5	26.5	28.5	48	48	47		36	30	36	27	285	TR20/16/20S	420	400	400	250	
20		25	20	16.0	20	42	31.5	31.5	30.0	53	53	54		36	46	36	36	544	TR20/25/20S	420	400	400	250	
25		16	25	20.0	12	42	30.0	30.0	33.5	54	54	52		46	30	46	36	556	TR25/16/25S	420	400	400	250	
25		20	25	20.0	16	42	30.0	30.0	31.5	54	54	53		46	36	46	36	544	TR25/20/25S	420	400	400	250	
25		30	25	20.0	25	49	37.0	37.0	35.5	61	61	62		46	50	46	41	791	TR25/30/25S	420	400	400	250	

¹⁾ Pressure shown = item deliverable

²⁾ LL = very light series; ³⁾ L = light series; ⁴⁾ S = heavy series

$$\frac{\text{PN (bar)}}{10} = \text{PN (MPa)}$$

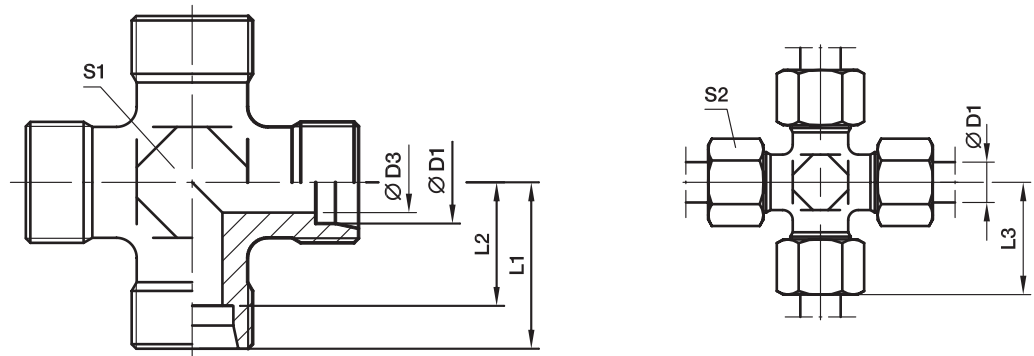
Delivery without nut and ring. Information on ordering complete fittings see page 17.

*Please add the **suffixes** below according to the material/surface required.

Order code suffixes		
Material	Suffix surface and material	Example
Steel, zinc plated, chrome ⁶ -free	CFX	TR16/12/16SCFX
Steel, zinc yellow plated	A3CX	TR16/12/16SA3CX
Stainless Steel	71X	TR16/12/16S71X
Brass	MSX	TR16/12/16SMSX

K Union cross

EO 24° cone end



Series	D1	D3	L1	L2	L3	S1	S2	Weight g/1 piece	Order code*	PN (bar) ¹⁾			
										CF	A3C	71	MS
LL ²⁾	04	3.0	15	11.0	21	9	10	13	K04LL	100	100	100	63
	06	4.5	15	9.5	21	9	12	14	K06LL	100	100	100	63
	08	6.0	17	11.5	23	12	14	24	K08LL	100	100	100	63
L ³⁾	06	4.0	19	12.0	27	12	14	35	K06L	315	315	315	200
	08	6.0	21	14.0	29	12	17	40	K08L	315	315	315	200
	10	8.0	22	15.0	30	14	19	52	K10L	315	315	315	200
	12	10.0	24	17.0	32	17	22	69	K12L	315	315	315	200
	15	12.0	28	21.0	36	19	27	130	K15L	315	315	315	200
	18	15.0	31	23.5	40	24	32	188	K18L	315	315	315	200
	22	19.0	35	27.5	44	27	36	251	K22L	160	160	160	100
	28	24.0	38	30.5	47	36	41	392	K28L	160	160	160	100
	35	30.0	45	34.5	56	41	50	618	K35L	160	160	160	100
	42	36.0	51	40.0	63	50	60	905	K42L	160	160	160	100
S ⁴⁾	06	4.0	23	16.0	31	12	17	58	K06S	630	630	630	400
	08	5.0	24	17.0	32	14	19	82	K08S	630	630	630	400
	10	7.0	25	17.5	34	17	22	97	K10S	630	630	630	400
	12	8.0	29	21.5	38	17	24	146	K12S	630	630	630	400
	14	10.0	30	22.0	40	19	27	176	K14S	400	400	400	250
	16	12.0	33	24.5	43	24	30	220	K16S	400	400	400	250
	20	16.0	37	26.5	48	27	36	339	K20S	315	315	315	200
	25	20.0	42	30.0	54	36	46	576	K25S	315	315	315	200
	30	25.0	49	35.5	62	41	50	843	K30S	315	315	315	200
38	32.0	57	41.0	72	50	60	1350	K38S	315	315	315	200	

¹⁾ Pressure shown = item deliverable

²⁾ LL = very light series; ³⁾ L = light series; ⁴⁾ S = heavy series

$$\frac{\text{PN (bar)}}{10} = \text{PN (MPa)}$$

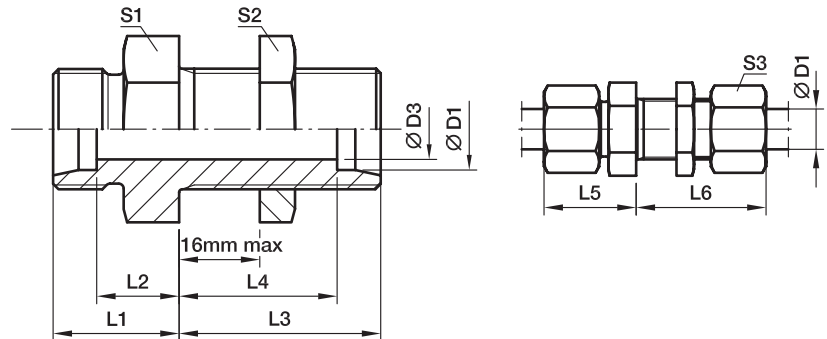
Delivery without nut and ring. Information on ordering complete fittings see page 17.

*Please add the **suffixes** below according to the material/surface required.

Order code suffixes		
Material	Suffix surface and material	Example
Steel, zinc plated, chrome ⁶ -free	CFX	K16SCFX
Steel, zinc yellow plated	A3CX	K16SA3CX
Stainless Steel	71X	K16S71X
Brass	MSX	K16SMSX

SV Bulkhead union

EO 24° cone end



Series	D1	D3	L1	L2	L3	L4	L5	L6	S1	S2	S3	Weight g/1 piece	Order code*	PN (bar) ¹⁾			
														CF	A3C	71	MS
L ³⁾	06	4	14	7.0	34	27.0	22	42	17	17	14	39	SV06LOMD	500	315	315	200
	08	6	15	8.0	34	27.0	23	42	19	19	17	50	SV08LOMD	500	315	315	200
	10	8	17	10.0	35	28.0	25	43	22	22	19	67	SV10LOMD	500	315	315	200
	12	10	17	10.0	36	29.0	25	44	24	24	22	78	SV12LOMD	400	315	315	200
	15	12	19	12.0	38	31.0	27	46	27	30	27	128	SV15LOMD	400	315	315	200
	18	15	21	13.5	40	32.5	30	49	32	36	32	198	SV18LOMD	400	315	315	200
	22	19	24	16.5	42	34.5	33	51	36	41	36	254	SV22LOMD	250	160	160	100
	28	24	26	18.5	43	35.5	35	52	41	46	41	335	SV28LOMD	250	160	160	100
	35	30	29	18.5	47	36.5	40	58	50	55	50	546	SV35LOMD	250	160	160	
	42	36	30	19.0	47	36.0	42	59	60	65	60	758	SV42LOMD	250	160	160	
S ⁴⁾	06	4	19	12.0	36	29.0	27	44	19	19	17	65	SV06SOMD	800	630	630	400
	08	5	20	13.0	36	29.0	28	44	22	22	19	87	SV08SOMD	800	630	630	400
	10	7	22	14.5	37	29.5	31	46	24	24	22	112	SV10SOMD	800	630	630	400
	12	8	22	14.5	38	30.5	31	47	27	27	24	141	SV12SOMD	630	630	630	400
	14	10	25	17.0	40	32.0	35	50	30	30	27	180	SV14SOMD	630	630	630	
	16	12	25	16.5	40	31.5	35	50	32	32	30	201	SV16SOMD	630	400	400	250
	20	16	28	17.5	44	33.5	39	55	41	41	36	462	SV20SOMD	420	400	400	250
	25	20	32	20.0	47	35.0	44	59	46	46	46	492	SV25SOMD	420	400	400	250
	30	25	35	21.5	51	37.5	48	64	50	50	50	631	SV30SOMD	420	400	400	250
	38	32	38	22.0	53	37.0	53	68	65	65	60	1083	SV38SOMD	420	315	315	

¹⁾ Pressure shown = item deliverable

³⁾ L = light series; ⁴⁾ S = heavy series

$$\frac{\text{PN (bar)}}{10} = \text{PN (MPa)}$$

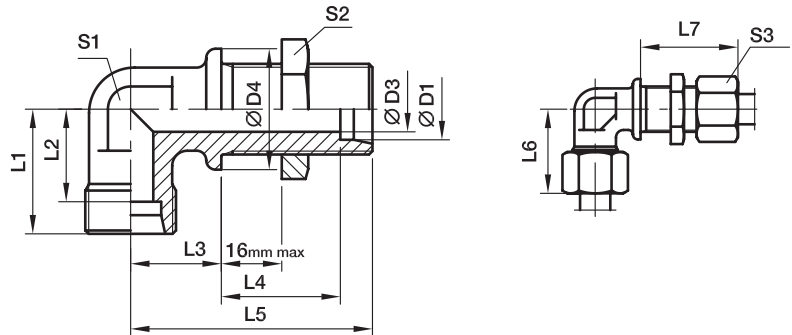
Delivery without nut and ring. Information on ordering complete fittings see page 17.

*Please add the **suffixes** below according to the material/surface required.

Order code suffixes		
Material	Suffix surface and material	Example
Steel, zinc plated, chrome ⁶ -free	CF	SV16SOMDCF
Steel, zinc yellow plated	A3C	SV16SOMDA3C
Stainless Steel	71	SV16SOMD71
Brass	MS	SV16SOMDMS

WSV Bulkhead elbow

EO 24° cone end



Series	D1	D3	D4	L1	L2	L3	L4	L5	L6	L7	S1	S2	S3	Weight g/1 piece	Order code*	PN (bar) ¹⁾			
																CF	A3C	71	MS
L ³⁾	06	4	17	19	12.0	14	27.0	48	27	42	12	17	14	51	WSV06LOMD	315	315	315	200
	08	6	19	21	14.0	17	27.0	51	29	42	12	19	17	61	WSV08LOMD	315	315	315	200
	10	8	22	22	15.0	18	28.0	53	30	43	14	22	19	78	WSV10LOMD	315	315	315	200
	12	10	24	24	17.0	20	29.0	56	32	44	17	24	22	85	WSV12LOMD	315	315	315	200
	15	12	27	28	21.0	23	31.0	61	36	46	19	30	27	150	WSV15LOMD	315	315	315	200
	18	15	32	31	23.5	24	32.5	64	40	49	24	36	32	238	WSV18LOMD	315	315	315	200
	22	19	36	35	27.5	30	34.5	72	44	51	27	41	36	327	WSV22LOMD	160	160	160	
	28	24	42	38	30.5	34	35.5	77	47	52	36	46	41	482	WSV28LOMD	160	160	160	
	35	30	50	45	34.5	39	36.5	86	56	58	41	55	50	729	WSV35LOMD	160	160	160	
	42	36	60	51	40.0	43	36.0	90	63	59	50	65	60	1091	WSV42LOMD	160	160	160	
S ⁴⁾	06	4	19	23	16.0	17	29.0	53	31	44	12	19	17	72	WSV06SOMD	630	630	630	
	08	5	22	24	17.0	18	29.0	54	32	44	14	22	19	99	WSV08SOMD	630	630	630	
	10	7	24	25	17.5	20	29.5	57	34	46	17	24	22	128	WSV10SOMD	630	630	630	
	12	8	27	29	21.5	21	30.5	59	38	47	17	27	24	168	WSV12SOMD	630	630	630	
	14	10	27	30	22.0	23	32.0	63	40	50	19	30	27	194	WSV14SOMD	630	630	630	
	16	12	30	33	24.5	24	31.5	64	43	50	24	32	30	249	WSV16SOMD	400	400	400	
	20	16	36	37	26.5	30	33.5	74	48	55	27	41	36	390	WSV20SOMD	400	400	400	
	25	20	42	42	30.0	34	35.0	81	54	59	36	46	46	618	WSV25SOMD	400	400	400	
	30	25	50	49	35.5	39	37.5	90	62	64	41	50	50	889	WSV30SOMD	400	400	400	
	38	32	60	57	41.0	43	37.0	96	72	68	50	65	60	1337	WSV38SOMD	315	315	315	

¹⁾ Pressure shown = item deliverable

³⁾ L = light series; ⁴⁾ S = heavy series

$\frac{PN(\text{bar})}{10} = PN(\text{MPa})$

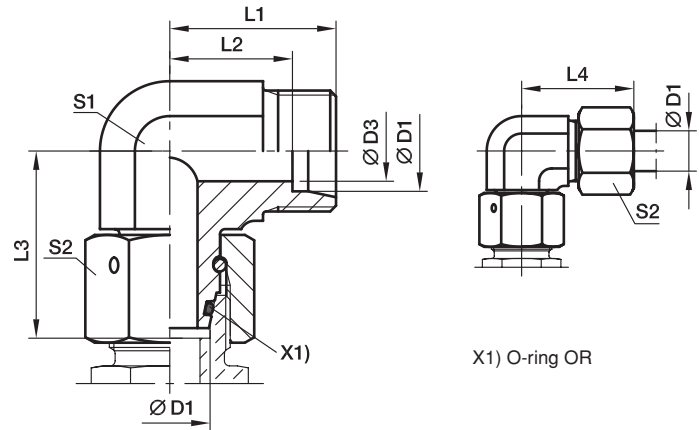
Delivery without nut and ring. Information on ordering complete fittings see page 17.

*Please add the **suffixes** below according to the material/surface required.

Order code suffixes		
Material	Suffix surface and material	Example
Steel, zinc plated, chrome ⁶ -free	CF	WSV16SOMDCF
Steel, zinc yellow plated	A3C	WSV16SOMDA3C
Stainless Steel	71	WSV16SOMD71
Brass	MS	WSV18LOMDMS

EW Swivel nut elbow

EO 24° cone end / EO 24° DKO swivel



X1) O-ring OR

Series	D1	D3	L1	L2	L3	L4	S1	S2	Weight g/1 piece	Order code*	PN (bar) ¹⁾		
											CF	A3C	71
L ³⁾	06	4	19	12.0	26.0	27	12	14	34	EW06LOMD	500	315	315
	08	6	21	14.0	27.5	29	12	17	43	EW08LOMD	500	315	315
	10	8	22	15.0	29.0	30	14	19	58	EW10LOMD	500	315	315
	12	10	24	17.0	29.5	32	17	22	81	EW12LOMD	400	315	315
	15	12	28	21.0	32.5	36	19	27	128	EW15LOMD	400	315	315
	18	15	31	23.5	35.5	40	24	32	197	EW18LOMD	400	315	315
	22	19	35	27.5	38.5	44	27	36	258	EW22LOMD	250	160	160
	28	24	38	30.5	41.5	47	36	41	370	EW28LOMD	250	160	160
	35	30	45	34.5	51.0	56	41	50	593	EW35LOMD	250	160	160
	42	36	51	40.0	56.0	63	50	60	993	EW42LOMD	250	160	160
S ⁴⁾	06	4	23	16.0	27.0	31	12	17	48	EW06SOMD	800	630	630
	08	5	24	17.0	27.5	32	14	19	65	EW08SOMD	800	630	630
	10	6	25	17.5	30.0	34	17	22	92	EW10SOMD	800	630	630
	12	8	29	21.5	31.0	38	17	24	107	EW12SOMD	630	630	630
	14	9	30	22.0	35.0	40	19	27	146	EW14SOMD	630	630	630
	16	12	33	24.5	36.5	43	24	30	212	EW16SOMD	630	400	400
	20	16	37	26.5	44.5	48	27	36	309	EW20SOMD	420	400	400
	25	20	42	30.0	50.0	54	36	46	547	EW25SOMD	420	400	400
	30	25	49	35.5	55.0	62	41	50	744	EW30SOMD	420	400	400
	38	32	57	41.0	63.0	72	50	60	1222	EW38SOMD	420	315	315

¹⁾ Pressure shown = item deliverable

³⁾ L = light series; ⁴⁾ S = heavy series

$$\frac{\text{PN (bar)}}{10} = \text{PN (MPa)}$$

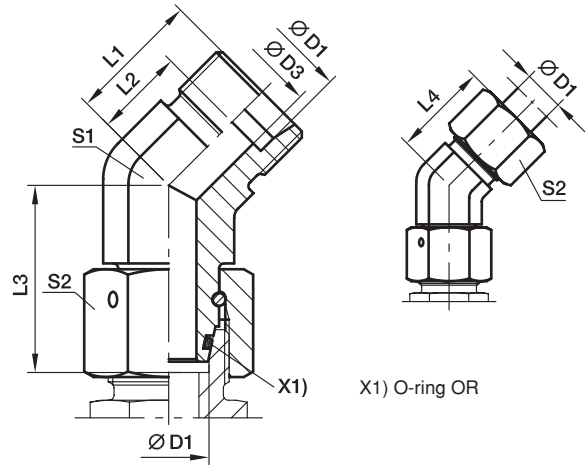
Delivery without nut and ring. Information on ordering complete fittings or alternative sealing materials see page I7.

*Please add the **suffixes** below according to the material/surface required.

Order code suffixes			
Material	Suffix surface and material	Example	Standard sealing material (no additional suffix needed)
Steel, zinc plated, chrome ⁶⁾ -free	CF	EW16SOMDCF	NBR
Steel, zinc yellow plated	A3C	EW16SOMDA3C	NBR
Stainless Steel	71	EW16SOMD71	VIT

EV Swivel nut 45° elbow

EO 24° cone end / EO 24° DKO swivel



Series	D1 	D3	L1	L2	L3	L4	S1	S2	Weight g/1 piece	Order code*	PN (bar) ¹⁾		
											CF	A3C	71
L ³⁾	06	4	16.0	9.0	26.0	24	14	14	37	EV06LOMD	315	315	315
	08	6	19.0	12.0	27.5	27	14	17	49	EV08LOMD	315	315	315
	10	8	19.0	12.0	29.0	27	19	19	77	EV10LOMD	315	315	315
	12	10	21.0	14.0	29.5	29	19	22	86	EV12LOMD	315	315	315
	15	12	24.0	17.0	32.5	32	22	27	144	EV15LOMD	315	315	315
	18	15	24.0	16.5	35.5	33	27	32	210	EV18LOMD	315	315	315
	22	19	26.0	18.5	38.5	35	30	36	270	EV22LOMD	160	160	160
	28	24	30.5	23.0	41.5	40	36	41	385	EV28LOMD	160	160	160
	35	30	37.0	26.5	51.0	48	50	50	805	EV35LOMD	160	160	160
	42	36	37.0	26.0	56.0	49	50	60	887	EV42LOMD	160	160	160
S ⁴⁾	06	4	16.0	9.0	27.0	24	14	17	50	EV06SOMD	630	630	630
	08	5	19.0	12.0	27.5	27	19	19	80	EV08SOMD	630	630	630
	10	7	21.0	13.5	30.0	30	19	22	95	EV10SOMD	630	630	630
	12	8	24.0	16.5	31.0	33	19	24	137	EV12SOMD	630	630	630
	16	12	24.0	15.5	36.5	34	19	30	217	EV16SOMD	400	400	400
	20	16	26.5	16.0	44.5	38	27	36	313	EV20SOMD	400	400	400
	25	20	30.5	18.5	50.0	43	36	46	529	EV25SOMD	400	400	400
	30	25	37.0	23.5	55.0	50	50	50	940	EV30SOMD	400	400	400
38	32	37.0	21.0	63.0	52	50	60	1055	EV38SOMD	315	315	315	

¹⁾ Pressure shown = item deliverable

³⁾ L = light series; ⁴⁾ S = heavy series

$\frac{PN \text{ (bar)}}{10} = PN \text{ (MPa)}$

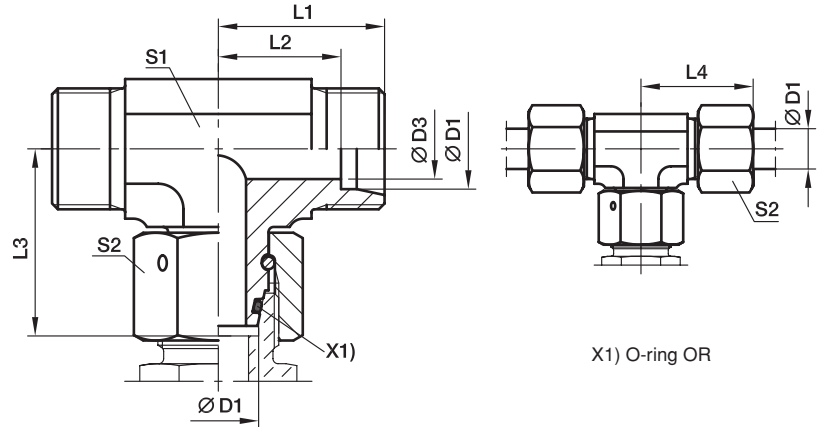
Delivery without nut and ring. Information on ordering complete fittings or alternative sealing materials see page 17.

*Please add the **suffixes** below according to the material/surface required.

Order code suffixes			
Material	Suffix surface and material	Example	Standard sealing material (no additional suffix needed)
Steel, zinc plated, chrome ⁶⁾ -free	CF	EV16SOMDCF	NBR
Steel, zinc yellow plated	A3C	EV16SOMDA3C	NBR
Stainless Steel	71	EV16SOMD71	VIT

ET Swivel nut branch tee

EO 24° cone end / EO 24° DKO swivel



Series	D1	D3	L1	L2	L3	L4	S1	S2	Weight g/1 piece	Order code*	PN (bar) ¹⁾		
											CF	A3C	71
L ³⁾	06	4	19	12.0	26.0	27	12	14	42	ET06LOMD	500	315	315
	08	6	21	14.0	27.5	29	12	17	53	ET08LOMD	500	315	315
	10	8	22	15.0	29.0	30	14	19	71	ET10LOMD	500	315	315
	12	10	24	17.0	29.5	32	17	22	97	ET12LOMD	400	315	315
	15	12	28	21.0	32.5	36	19	27	159	ET15LOMD	400	315	315
	18	15	31	23.5	35.5	40	24	32	239	ET18LOMD	400	315	315
	22	19	35	27.5	38.5	44	27	36	308	ET22LOMD	250	160	160
	28	24	38	30.5	41.5	47	36	41	449	ET28LOMD	250	160	160
	35	30	45	34.5	51.0	56	41	50	679	ET35LOMD	250	160	160
	42	36	51	40.0	56.0	63	50	60	1131	ET42LOMD	250	160	160
S ⁴⁾	06	4	23	16.0	27.0	31	12	17	63	ET06SOMD	800	630	630
	08	5	24	17.0	27.5	32	14	19	79	ET08SOMD	800	630	630
	10	6	25	17.5	30.0	34	17	22	113	ET10SOMD	800	630	630
	12	8	29	21.5	31.0	38	17	24	136	ET12SOMD	630	630	630
	14	9	30	22.0	35.0	40	19	27	173	ET14SOMD	630	630	630
	16	12	33	24.5	36.5	43	24	30	239	ET16SOMD	630	400	400
	20	16	37	26.5	44.5	48	27	36	388	ET20SOMD	420	400	400
	25	20	42	30.0	50.0	54	36	46	652	ET25SOMD	420	400	400
	30	25	49	35.5	55.0	62	41	50	905	ET30SOMD	420	400	400
	38	32	57	41.0	63.0	72	50	60	1462	ET38SOMD	420	315	315

¹⁾ Pressure shown = item deliverable

³⁾ L = light series; ⁴⁾ S = heavy series

$\frac{PN \text{ (bar)}}{10} = PN \text{ (MPa)}$

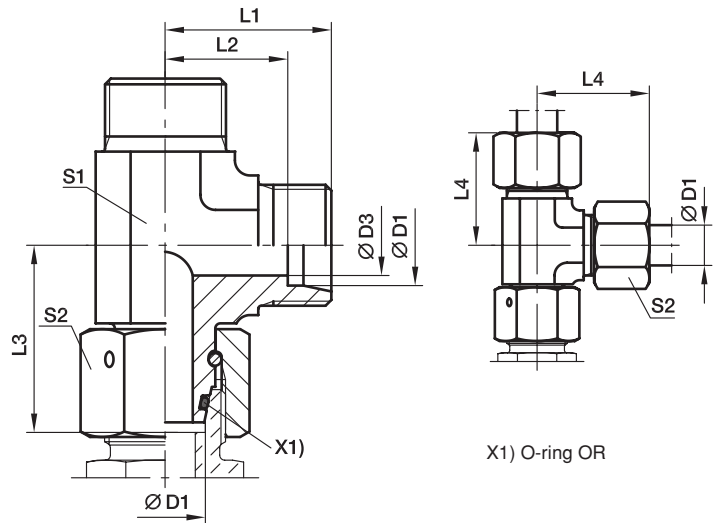
Delivery without nut and ring. Information on ordering complete fittings or alternative sealing materials see page I7.

*Please add the **suffixes** below according to the material/surface required.

Order code suffixes			
Material	Suffix surface and material	Example	Standard sealing material (no additional suffix needed)
Steel, zinc plated, chrome ⁶ -free	CF	ET16SOMDCF	NBR
Steel, zinc yellow plated	A3C	ET16SOMDA3C	NBR
Stainless Steel	71	ET16SOMD71	VIT

EL Swivel nut run tee

EO 24° cone end / EO 24° DKO swivel



Series	D1	D3	L1	L2	L3	L4	S1	S2	Weight g/1 piece	Order code*	PN (bar) ¹⁾		
											CF	A3C	71
L ³⁾	06	4	19	12.0	26.0	27	12	14	44	EL06LOMD	500	315	315
	08	6	21	14.0	27.5	29	12	17	53	EL08LOMD	500	315	315
	10	8	22	15.0	29.0	30	14	19	68	EL10LOMD	500	315	315
	12	10	24	17.0	29.5	32	17	22	95	EL12LOMD	400	315	315
	15	12	28	21.0	32.5	36	19	27	151	EL15LOMD	400	315	315
	18	15	31	23.5	35.5	40	24	32	233	EL18LOMD	400	315	315
	22	19	35	27.5	38.5	44	27	36	309	EL22LOMD	250	160	160
	28	24	38	30.5	41.5	47	36	41	436	EL28LOMD	250	160	160
	35	30	45	34.5	51.0	56	41	50	666	EL35LOMD	250	160	160
	42	36	51	40.0	56.0	63	50	60	1163	EL42LOMD	250	160	160
S ⁴⁾	06	4	23	16.0	27.0	31	12	17	65	EL06SOMD	800	630	630
	08	5	24	17.0	27.5	32	14	19	84	EL08SOMD	800	630	630
	10	6	25	17.5	30.0	34	17	22	118	EL10SOMD	800	630	630
	12	8	29	21.5	31.0	38	17	24	136	EL12SOMD	630	630	630
	14	9	30	22.0	35.0	40	19	27	173	EL14SOMD	630	630	630
	16	12	33	24.5	36.5	43	24	30	260	EL16SOMD	630	400	400
	20	16	37	26.5	44.5	48	27	36	375	EL20SOMD	420	400	400
	25	20	42	30.0	50.0	54	36	46	655	EL25SOMD	420	400	400
	30	25	49	35.5	55.0	62	41	50	906	EL30SOMD	420	400	400
	38	32	57	41.0	63.0	72	50	60	1472	EL38SOMD	420	315	315

¹⁾ Pressure shown = item deliverable

³⁾ L = light series; ⁴⁾ S = heavy series

$\frac{PN \text{ (bar)}}{10} = PN \text{ (MPa)}$

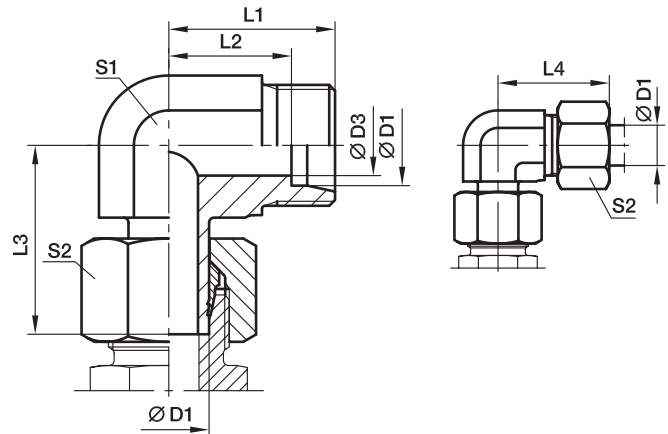
Delivery without nut and ring. Information on ordering complete fittings or alternative sealing materials see page I7.

*Please add the **suffixes** below according to the material/surface required.

Order code suffixes			
Material	Suffix surface and material	Example	Standard sealing material (no additional suffix needed)
Steel, zinc plated, chrome ⁶ -free	CF	EL16SOMDCF	NBR
Steel, zinc yellow plated	A3C	EL16SOMDA3C	NBR
Stainless Steel	71	EL16SOMD71	VIT

EVW Standpipe elbow

EO 24° cone end / EO stand pipe adjustable



With pre-assembled nut and progressive ring for connection.
Final assembly (in appropriate body) at least 1/4 turn beyond the point of clearly perceptible resistance.

Series	D1	D3	L1	L2	L3	L4	S1	S2	Weight g/1 piece	Order code*	PN (bar) ¹⁾			
											CF	A3C	71	MS
L ³⁾	06	4	19	12.0	26.0	27	12	14	32	EVW06LOMD	315	315	315	200
	08	6	21	14.0	27.5	29	12	17	40	EVW08LOMD	315	315	315	200
	10	8	22	15.0	29.0	30	14	19	54	EVW10LOMD	315	315	315	200
	12	10	24	17.0	29.5	32	17	22	76	EVW12LOMD	315	315	315	200
	15	12	28	21.0	32.5	36	19	27	119	EVW15LOMD	315	315	315	200
	18	15	31	23.5	35.5	40	24	32	192	EVW18LOMD	315	315	315	200
	22	19	35	27.5	38.5	44	27	36	355	EVW22LOMD	160	160	160	100
	28	24	38	30.5	42.0	47	36	41	514	EVW28LOMD	160	160	160	100
	35	30	45	34.5	51.0	56	41	50	536	EVW35LOMD	160	160	160	100
	42	36	51	40.0	60.0	63	50	60	977	EVW42LOMD	160	160	160	100
S ⁴⁾	06	4	23	16.0	27.0	31	12	17	44	EVW06SOMD	630	630	630	400
	08	5	24	17.0	27.5	32	14	19	63	EVW08SOMD	630	630	630	400
	10	7	25	17.5	31.0	34	17	22	95	EVW10SOMD	630	630	630	400
	12	8	29	21.5	31.0	38	17	24	110	EVW12SOMD	630	630	630	400
	14	10	30	22.0	35.0	40	19	27	137	EVW14SOMD	400	400	400	250
	16	12	33	24.5	37.5	43	24	30	211	EVW16SOMD	400	400	400	250
	20	16	37	26.5	44.5	48	27	36	306	EVW20SOMD	400	400	400	250
	25	20	42	30.0	50.0	54	36	46	558	EVW25SOMD	400	400	400	250
	30	25	49	35.5	55.0	62	41	50	724	EVW30SOMD	400	400	400	250
	38	32	57	41.0	66.5	72	50	60	1307	EVW38SOMD	315	315	315	200

¹⁾ Pressure shown = item deliverable

³⁾ L = light series; ⁴⁾ S = heavy series

$$\frac{\text{PN (bar)}}{10} = \text{PN (MPa)}$$

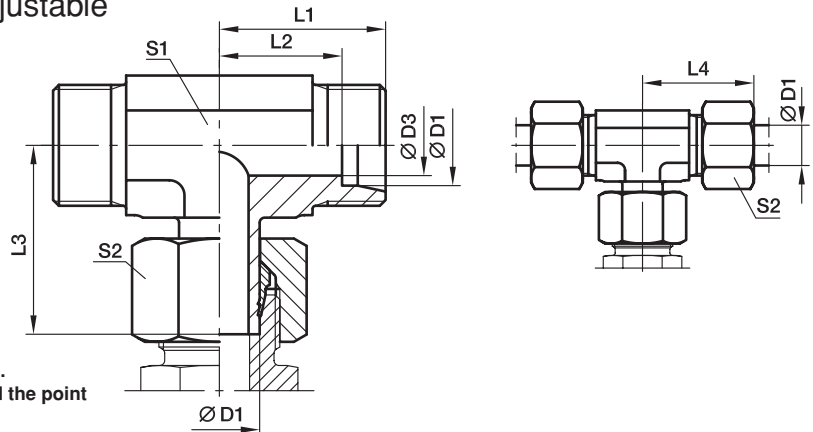
Delivery without nut and ring. Information on ordering complete fittings see page 17.

*Please add the **suffixes** below according to the material/surface required.

Order code suffixes		
Material	Suffix surface and material	Example
Steel, zinc plated, chrome ⁶ -free	CF	EVW16SOMDCF
Steel, zinc yellow plated	A3C	EVW16SOMDA3C
Stainless Steel	71	EVW16SOMD71
Brass	MS	EVW16SOMDMS

EVT Standpipe branch tee

EO 24° cone end / EO stand pipe adjustable



With pre-assembled nut and progressive ring for connection.
Final assembly (in appropriate body) at least 1/4 turn beyond the point of clearly perceptible resistance.

Series	D1	D3	L1	L2	L3	L4	S1	S2	Weight g/1 piece	Order code*	PN (bar) ¹⁾			
											CF	A3C	71	MS
L ³⁾	06	4	19	12.0	26.0	27	12	14	37	EVT06LOMD	315	315	315	200
	08	6	21	14.0	27.5	29	12	17	49	EVT08LOMD	315	315	315	200
	10	8	22	15.0	29.0	30	14	19	66	EVT10LOMD	315	315	315	200
	12	10	24	17.0	30.5	32	17	22	93	EVT12LOMD	315	315	315	200
	15	12	28	21.0	32.5	36	19	27	146	EVT15LOMD	315	315	315	200
	18	15	31	23.5	35.5	40	24	32	201	EVT18LOMD	315	315	315	200
	22	19	35	27.5	38.5	44	27	36	274	EVT22LOMD	160	160	160	
	28	24	38	30.5	43.5	47	36	41	441	EVT28LOMD	160	160	160	
	35	30	45	34.5	54.5	56	41	50	633	EVT35LOMD	160	160	160	
	42	36	51	40.0	60.0	63	50	60	1129	EVT42LOMD	160	160	160	
S ⁴⁾	06	4	23	16.0	27.0	31	12	17	61	EVT06SOMD	630	630	630	
	08	5	24	17.0	29.0	32	14	19	44	EVT08SOMD	630	630	630	
	10	7	25	17.5	31.0	34	17	22	84	EVT10SOMD	630	630	630	
	12	8	29	21.5	33.0	38	17	24	131	EVT12SOMD	630	630	630	
	14	10	30	22.0	35.0	40	19	27	173	EVT14SOMD	400	400	400	
	16	12	33	24.5	37.5	43	24	30	240	EVT16SOMD	400	400	400	
	20	16	37	26.5	44.5	48	27	36	345	EVT20SOMD	400	400	400	
	25	20	42	30.0	50.5	54	36	46	647	EVT25SOMD	400	400	400	
	30	25	49	35.5	56.5	62	41	50	873	EVT30SOMD	400	400	400	
	38	32	57	41.0	66.5	72	50	60	1361	EVT38SOMD	315	315	315	

¹⁾ Pressure shown = item deliverable

³⁾ L = light series; ⁴⁾ S = heavy series

$$\frac{PN \text{ (bar)}}{10} = PN \text{ (MPa)}$$

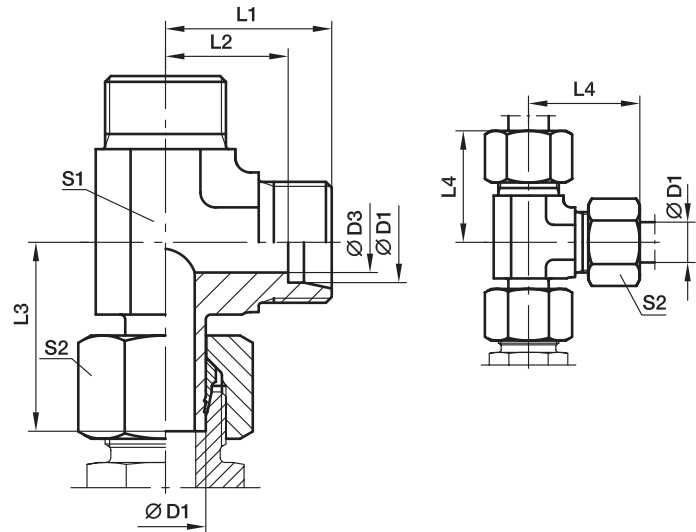
Delivery without nut and ring. Information on ordering complete fittings see page 17.

*Please add the **suffixes** below according to the material/surface required.

Order code suffixes		
Material	Suffix surface and material	Example
Steel, zinc plated, chrome ⁶ -free	CF	EVT16SOMDCF
Steel, zinc yellow plated	A3C	EVT16SOMDA3C
Stainless Steel	71	EVT16SOMD71
Brass	MS	EVT18LOMDMS

EVL standpipe run tee

EO 24° cone end / EO stand pipe adjustable



With pre-assembled nut and progressive ring for connection.
Final assembly (in appropriate body) at least 1/4 turn beyond the point of clearly perceptible resistance.

Series	D1	D3	L1	L2	L3	L4	S1	S2	Weight g/1 piece	Order code*	PN (bar) ¹⁾			
											CF	A3C	71	MS
L ³⁾	06	4	19	12.0	26.0	27	12	14	40	EVL06LOMD	315	315	315	200
	08	6	21	14.0	27.5	29	12	17	50	EVL08LOMD	315	315	315	200
	10	8	22	15.0	29.0	30	14	19	64	EVL10LOMD	315	315	315	200
	12	10	24	17.0	30.5	32	17	22	93	EVL12LOMD	315	315	315	200
	15	12	28	21.0	32.5	36	19	27	147	EVL15LOMD	315	315	315	200
	18	15	31	23.5	35.5	40	24	32	229	EVL18LOMD	315	315	315	200
	22	19	35	27.5	39.0	44	27	36	296	EVL22LOMD	160	160	160	
	28	24	38	30.5	43.5	47	36	41	416	EVL28LOMD	160	160	160	
	35	30	45	34.5	54.5	56	41	50	661	EVL35LOMD	160	160	160	
	42	36	51	40.0	60.0	63	50	60	1105	EVL42LOMD	160	160	160	
S ⁴⁾	06	4	23	16.0	27.0	31	12	17	57	EVL06SOMD	630	630	630	
	08	5	24	17.0	29.0	32	14	19	84	EVL08SOMD	630	630	630	
	10	7	25	17.5	32.0	34	17	22	116	EVL10SOMD	630	630	630	
	12	8	29	21.5	33.0	38	17	24	137	EVL12SOMD	630	630	630	
	14	10	30	22.0	35.0	40	19	27	175	EVL14SOMD	400	400	400	
	16	12	33	24.5	37.5	43	24	30	259	EVL16SOMD	400	400	400	
	20	16	37	26.5	44.5	48	27	36	371	EVL20SOMD	400	400	400	
	25	20	42	30.0	50.5	54	36	46	647	EVL25SOMD	400	400	400	
	30	25	49	35.5	56.5	62	41	50	906	EVL30SOMD	400	400	400	
	38	32	57	41.0	66.5	72	50	60	1549	EVL38SOMD	315	315	315	

¹⁾ Pressure shown = item deliverable

³⁾ L = light series; ⁴⁾ S = heavy series

$$\frac{\text{PN (bar)}}{10} = \text{PN (MPa)}$$

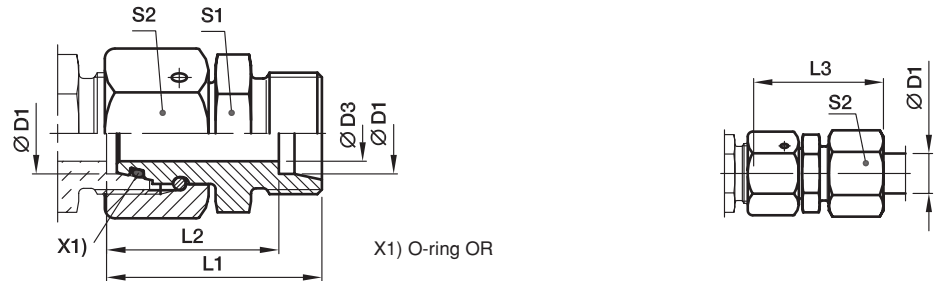
Delivery without nut and ring. Information on ordering complete fittings see page 17.

*Please add the **suffixes** below according to the material/surface required.

Order code suffixes		
Material	Suffix surface and material	Example
Steel, zinc plated, chrome ⁶ -free	CF	EVL16SOMDCF
Steel, zinc yellow plated	A3C	EVL16SOMDA3C
Stainless Steel	71	EVL16SOMD71
Brass	MS	EVL18LOMDMS

DA Distance piece adapter

EO 24° DKO swivel / EO 24° cone end



Series	D1 	D3	L1	L2	L3	S1	S2	Weight g/1 piece	Order code*	PN (bar) ¹⁾			
										CF	A3C	71	MS
L ³⁾	06	2.5	43.0	36	51	12	14	33	DA06LOMD	500	315	315	200
	08	4.0	43.0	36	51	14	17	46	DA08LOMD	500	315	315	200
	10	6.0	43.0	36	51	17	19	60	DA10LOMD	500	315	315	200
	12	8.0	43.0	36	51	19	22	75	DA12LOMD	400	315	315	200
	15	10.0	43.0	36	51	24	27	118	DA15LOMD	400	315	315	200
	18	13.0	43.5	36	52	27	32	153	DA18LOMD	400	315	315	200
	22	17.0	47.5	40	56	32	36	210	DA22LOMD	250	160	160	100
	28	22.0	47.5	40	57	41	41	279	DA28LOMD	250	160	160	100
	35	28.0	60.5	50	72	46	50	468	DA35LOMD	250	160	160	100
	42	34.0	71.0	60	83	55	60	802	DA42LOMD	250	160	160	100
S ⁴⁾	06	2.5	43.0	36	51	14	17	48	DA06SOMD	800	630	630	400
	08	4.0	43.0	36	51	17	19	64	DA08SOMD	800	630	630	400
	10	6.0	43.5	36	52	19	22	81	DA10SOMD	800	630	630	400
	12	8.0	43.5	36	52	22	24	97	DA12SOMD	630	630	630	400
	14	9.0	48.0	40	58	24	27	133	DA14SOMD	630	630	630	400
	16	11.0	48.5	40	58	27	30	166	DA16SOMD	630	400	400	250
	20	14.0	56.5	46	68	32	36	265	DA20SOMD	420	400	400	250
	25	18.0	62.0	50	74	41	46	466	DA25SOMD	420	400	400	250
	30	23.0	69.5	56	83	46	50	601	DA30SOMD	420	400	400	250
	38	30.0	76.0	60	91	55	60	871	DA38SOMD	420	315	315	200

¹⁾ Pressure shown = item deliverable

³⁾ L = light series; ⁴⁾ S = heavy series

$\frac{\text{PN (bar)}}{10} = \text{PN (MPa)}$

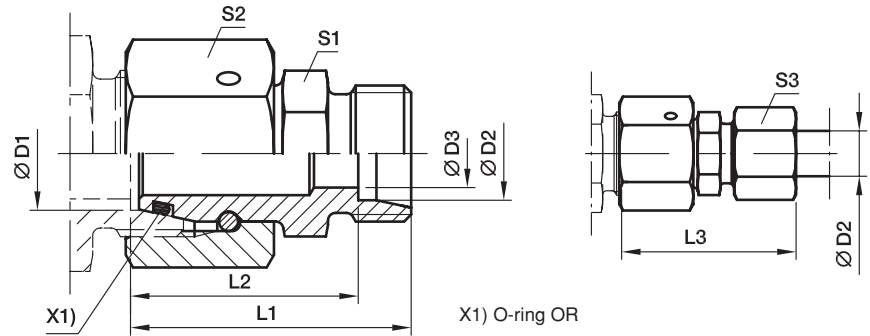
Delivery without nut and ring. Information on ordering complete fittings or alternative sealing materials see page I7.

*Please add the **suffixes** below according to the material/surface required.

Order code suffixes			
Material	Suffix surface and material	Example	Standard sealing material (no additional suffix needed)
Steel, zinc plated, chrome ⁶ -free	CF	DA16SOMDCF	NBR
Stahl, zinc yellow plated	A3C	DA16SOMDA3C	NBR
Stainless Steel	71	DA16SOMD71	VIT
Brass	MS	DA16SOMDMS	NBR

RED Tube end reducer

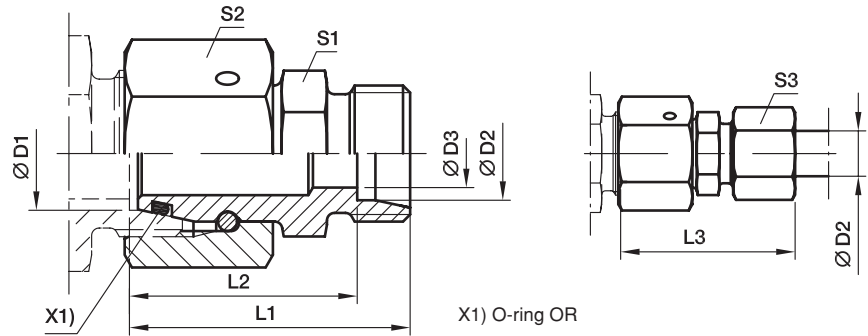
EO 24° DKO swivel / EO 24° cone end



Series 2) 3) 4)	D1	D2	D3	L1	L2	L3	S1	S2	S3	Weight g/1 piece	Order code*	PN (bar) ¹⁾		
												CF	A3C	71
L/LL	06	04	2.5	28.5	24.5	34.0	9	14	10	17	RED06L/04LLOMD	100	100	100
L	08	06	4.0	30.5	23.5	38.0	12	17	14	29	RED08/06LOMD	500	315	315
L	10	06	4.0	32.0	25.0	40.0	14	19	14	36	RED10/06LOMD	500	315	315
L	10	08	6.0	32.0	25.0	40.0	14	19	17	38	RED10/08LOMD	500	315	315
L	12	06	4.0	32.0	25.0	40.0	17	22	14	49	RED12/06LOMD	400	315	315
L	12	08	6.0	32.0	25.0	40.0	17	22	17	49	RED12/08LOMD	400	315	315
L	12	10	8.0	33.0	26.0	41.0	17	22	19	51	RED12/10LOMD	400	315	315
L	15	06	4.0	35.5	28.5	43.0	19	27	14	81	RED15/06LOMD	400	315	315
L	15	08	6.0	35.5	28.5	43.0	19	27	17	85	RED15/08LOMD	400	315	315
L	15	10	8.0	36.5	29.5	44.0	19	27	19	83	RED15/10LOMD	400	315	315
L	15	12	10.0	36.5	29.5	44.0	19	27	22	83	RED15/12LOMD	400	315	315
L	18	06	4.0	35.0	28.0	43.0	24	32	14	109	RED18/06LOMD	400	315	315
L	18	08	6.0	35.0	28.0	43.0	24	32	17	111	RED18/08LOMD	400	315	315
L	18	10	8.0	36.0	29.0	44.0	24	32	19	110	RED18/10LOMD	400	315	315
L	18	12	10.0	36.0	29.0	44.0	24	32	22	110	RED18/12LOMD	400	315	315
L	18	15	12.0	37.0	30.0	45.0	24	32	27	115	RED18/15LOMD	400	315	315
L/S	18	16	12.0	40.0	31.5	49.5	27	32	30	138	RED18L/16SOMD	400	315	315
L	22	06	4.0	39.0	32.0	47.0	27	36	14	158	RED22/06LOMD	250	160	160
L	22	08	6.0	39.0	32.0	47.0	27	36	17	158	RED22/08LOMD	250	160	160
L	22	10	8.0	40.0	33.0	48.0	27	36	19	159	RED22/10LOMD	250	160	160
L	22	12	10.0	40.0	33.0	48.0	27	36	22	157	RED22/12LOMD	250	160	160
L	22	15	12.0	41.0	34.0	49.0	27	36	27	164	RED22/15LOMD	250	160	160
L/S	22	16	12.0	43.0	34.5	52.5	27	36	30	173	RED22L/16SOMD	250	160	160
L	22	18	15.0	41.0	33.5	50.0	27	36	32	167	RED22/18LOMD	250	160	160
L/S	22	20	16.0	45.0	34.5	56.0	32	36	36	203	RED22L/20SOMD	250	160	160
L	28	06	4.0	41.0	34.0	49.0	32	41	14	219	RED28/06LOMD	250	160	160
L	28	08	6.0	41.0	34.0	49.0	32	41	17	221	RED28/08LOMD	250	160	160
L	28	10	8.0	42.0	35.0	50.0	32	41	19	213	RED28/10LOMD	250	160	160
L	28	12	10.0	42.0	35.0	50.0	32	41	22	213	RED28/12LOMD	250	160	160
L	28	15	12.0	43.0	36.0	51.0	32	41	27	218	RED28/15LOMD	250	160	160
L/S	28	16	12.0	45.0	36.5	54.5	32	41	30	227	RED28L/16SOMD	250	160	160
L	28	18	15.0	43.0	35.5	52.0	32	41	32	220	RED28/18LOMD	250	160	160
L	28	22	19.0	45.0	37.5	54.0	32	41	36	222	RED28/22LOMD	250	160	160
L/S	28	25	20.0	50.0	38.0	62.0	41	41	46	300	RED28L/25SOMD	250	160	160
L	35	06	4.0	44.0	37.0	52.0	41	50	14	318	RED35/06LOMD	250	160	160
L	35	08	6.0	44.0	37.0	52.0	41	50	17	318	RED35/08LOMD	250	160	160
L	35	10	8.0	45.0	38.0	53.0	41	50	19	318	RED35/10LOMD	250	160	160
L	35	12	10.0	45.0	38.0	53.0	41	50	22	324	RED35/12LOMD	250	160	160
L	35	15	12.0	46.0	39.0	54.0	41	50	27	328	RED35/15LOMD	250	160	160
L	35	18	15.0	46.0	38.5	55.0	41	50	32	328	RED35/18LOMD	250	160	160
L	35	22	19.0	48.0	40.5	57.0	41	50	36	331	RED35/22LOMD	250	160	160

RED Tube end reducer

EO 24° DKO swivel / EO 24° cone end



Series 2) 3) 4)	D1	D2	D3	L1	L2	L3	S1	S2	S3	Weight g/1 piece	Order code*	PN (bar) ¹⁾		
												CF	A3C	71
L/S	35	25	20.0	52.0	40.0	64.0	41	50	46	366	RED35L/25SOMD	250	160	160
L	35	28	24.0	48.0	40.5	57.0	41	50	41	327	RED35/28LOMD	250	160	160
L/S	35	30	25.0	55.0	41.5	68.0	46	50	50	435	RED35L/30SOMD	250	160	160
L	42	10	8.0	48.5	41.5	56.0	50	60	19	537	RED42/10LOMD	250	160	160
L	42	12	10.0	48.5	41.5	56.0	50	60	22	538	RED42/12LOMD	250	160	160
L	42	15	12.0	49.5	42.5	58.0	50	60	27	534	RED42/15LOMD	250	160	160
L	42	18	15.0	49.5	42.0	58.0	50	60	32	544	RED42/18LOMD	250	160	160
L	42	22	19.0	51.5	44.0	60.0	50	60	36	543	RED42/22LOMD	250	160	160
L	42	28	24.0	51.5	44.0	61.0	50	60	41	539	RED42/28LOMD	250	160	160
L/S	42	30	25.0	57.5	44.0	70.5	50	60	50	588	RED42L/30SOMD	250	160	160
L	42	35	30.0	53.5	43.0	65.0	50	60	50	541	RED42/35LOMD	250	160	160
L/S	42	38	32.0	61.5	45.5	76.0	55	60	60	701	RED42L/38SOMD	250	160	160

¹⁾ Pressure shown = item deliverable

²⁾ LL = very light series; ³⁾ L = light series; ⁴⁾ S = heavy series

$\frac{PN(\text{bar})}{10} = PN(\text{MPa})$

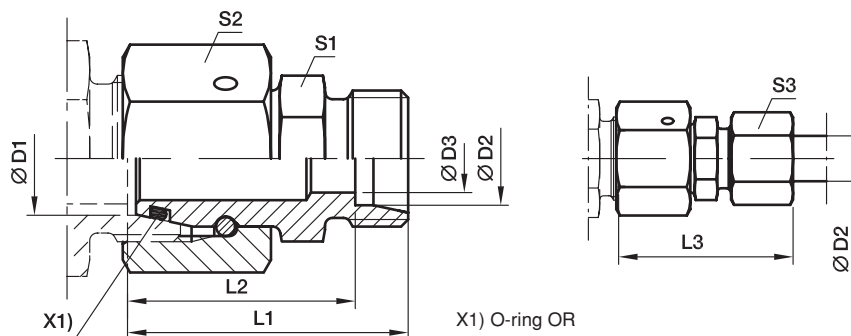
Delivery without nut and ring. Information on ordering complete fittings or alternative sealing materials see page I7.

*Please add the **suffixes** below according to the material/surface required.

Order code suffixes			
Material	Suffix surface and material	Example	Standard sealing material (no additional suffix needed)
Steel, zinc plated, chrome ⁶⁾ -free	CF	RED18/15LOMDCF	NBR
Steel, zinc yellow plated	A3C	RED18/15LOMDA3C	NBR
Stainless Steel	71	RED18/15LOMD71	VIT

RED Tube end reducer

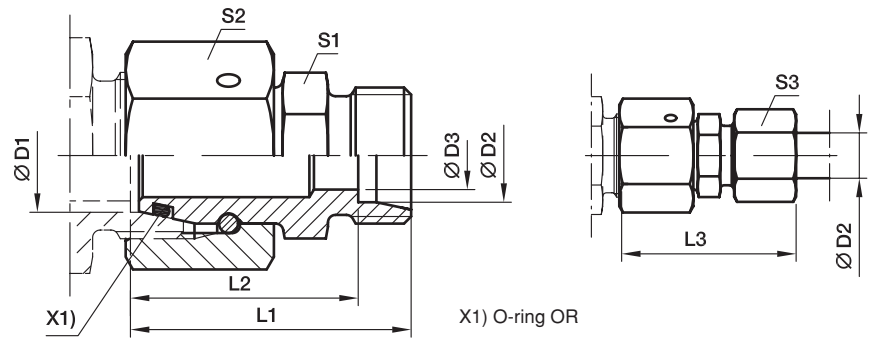
EO 24° DKO swivel / EO 24° cone end



Series ^{3) 4)}	D1	D2	D3	L1	L2	L3	S1	S2	S3	Weight g/1 piece	Order code*	PN (bar) ¹⁾		
												CF	A3C	71
S	08	06	4	34.0	27.0	42	14	19	17	42	RED08/06SOMD	800	630	630
S	10	06	4	34.5	27.5	42	17	22	17	55	RED10/06SOMD	800	630	630
S	10	08	5	34.5	27.5	42	17	22	19	58	RED10/08SOMD	800	630	630
S	12	06	4	36.0	29.0	44	17	24	17	66	RED12/06SOMD	630	630	630
S	12	08	5	36.0	29.0	44	17	24	19	68	RED12/08SOMD	630	630	630
S	12	10	7	37.0	29.5	46	19	24	22	75	RED12/10SOMD	630	630	630
S	14	06	4	38.5	31.5	46	19	27	17	88	RED14/06SOMD	630	630	630
S	14	08	5	38.5	31.5	46	19	27	19	90	RED14/08SOMD	630	630	630
S	14	10	7	38.5	31.0	47	19	27	22	91	RED14/10SOMD	630	630	630
S	14	12	8	38.5	31.0	47	22	27	24	100	RED14/12SOMD	630	630	630
S	16	06	4	39.0	32.0	47	22	30	17	112	RED16/06SOMD	630	400	400
S	16	08	5	39.0	32.0	47	22	30	19	114	RED16/08SOMD	630	400	400
S	16	10	7	39.0	31.5	48	22	30	22	115	RED16/10SOMD	630	400	400
S	16	12	8	39.0	31.5	48	22	30	24	118	RED16/12SOMD	630	400	400
S	16	14	10	41.0	33.0	51	24	30	27	128	RED16/14SOMD	630	400	400
S/L	16	15	11	39.0	32.0	47	24	30	27	120	RED16S/15LOMD	400	315	315
S	20	06	4	43.0	36.0	51	27	36	17	172	RED20/06SOMD	420	400	400
S	20	08	5	43.0	36.0	51	27	36	19	174	RED20/08SOMD	420	400	400
S	20	10	7	43.0	35.5	52	27	36	22	174	RED20/10SOMD	420	400	400
S	20	12	8	43.0	35.5	52	27	36	24	177	RED20/12SOMD	420	400	400
S	20	14	10	45.0	37.0	55	27	36	27	182	RED20/14SOMD	420	400	400
S/L	20	15	12	43.0	36.0	51	27	36	27	173	RED20S/15LOMD	400	315	315
S	20	16	12	45.0	36.5	55	27	36	30	182	RED20/16SOMD	420	400	400
S/L	20	18	14	43.0	35.5	51	27	36	32	178	RED20S/18LOMD	400	315	315
S	25	06	4	45.5	38.5	53	32	46	17	294	RED25/06SOMD	420	400	400
S	25	08	5	45.5	38.5	53	32	46	19	295	RED25/08SOMD	420	400	400
S	25	10	7	45.5	38.0	54	32	46	22	296	RED25/10SOMD	420	400	400
S	25	12	8	45.5	38.0	54	32	46	24	299	RED25/12SOMD	420	400	400
S	25	14	10	47.5	39.5	57	32	46	27	303	RED25/14SOMD	420	400	400
S	25	16	12	47.5	39.0	57	32	46	30	304	RED25/16SOMD	420	400	400
S/L	25	18	15	45.5	38.0	54	32	46	32	299	RED25S/18LOMD	400	315	315
S	25	20	16	49.5	39.0	61	32	46	36	315	RED25/20SOMD	420	400	400
S/L	25	22	18	47.5	40.0	56	32	46	36	304	RED25S/22LOMD	250	160	160
S	30	06	4	51.0	44.0	59	41	50	17	412	RED30/06SOMD	420	400	400
S	30	08	5	51.0	44.0	59	41	50	19	404	RED30/08SOMD	420	400	400
S	30	10	7	51.0	43.5	60	41	50	22	405	RED30/10SOMD	420	400	400
S	30	12	8	51.0	43.5	60	41	50	24	405	RED30/12SOMD	420	400	400
S	30	14	10	53.0	45.0	63	41	50	27	408	RED30/14SOMD	420	400	400
S	30	16	12	53.0	44.5	63	41	50	30	412	RED30/16SOMD	420	400	400
S	30	20	16	55.0	44.5	66	41	50	36	421	RED30/20SOMD	420	400	400

RED Tube end reducer

EO 24° DKO swivel / EO 24° cone end



Series ^{3) 4)}	D1	D2	D3	L1	L2	L3	S1	S2	S3	Weight g/1 piece	Order code*	PN (bar) ¹⁾		
												CF	A3C	71
S/L	30	22	19	53.0	45.5	61	41	50	36	406	RED30S/22LOMD	250	160	160
S	30	25	20	57.0	45.0	69	41	50	46	439	RED30/25SOMD	420	400	400
S/L	30	28	23	53.0	45.5	62	41	50	41	406	RED30S/28LOMD	250	160	160
S	38	06	4	54.5	47.5	62	50	60	17	556	RED38/06SOMD	420	315	315
S	38	08	5	54.5	47.5	62	50	60	19	581	RED38/08SOMD	420	315	315
S	38	10	7	54.5	47.0	63	50	60	22	579	RED38/10SOMD	420	315	315
S	38	12	8	54.5	47.0	63	50	60	24	577	RED38/12SOMD	420	315	315
S	38	14	10	56.5	48.5	66	50	60	27	579	RED38/14SOMD	420	315	315
S	38	16	12	56.5	48.0	66	50	60	30	580	RED38/16SOMD	420	315	315
S	38	20	16	58.5	48.0	70	50	60	36	601	RED38/20SOMD	420	315	315
S	38	25	20	60.5	48.5	73	50	60	46	615	RED38/25SOMD	420	315	315
S/L	38	28	24	56.5	49.0	65	50	60	41	573	RED38S/28LOMD	250	160	160
S	38	30	25	62.5	49.0	76	50	60	50	625	RED38/30SOMD	420	315	315
S/L	38	35	30	58.5	48.0	69	50	60	50	588	RED38S/35LOMD	250	160	160

1) Pressure shown = item deliverable

3) L = light series; 4) S = heavy series

$$\frac{\text{PN (bar)}}{10} = \text{PN (MPa)}$$

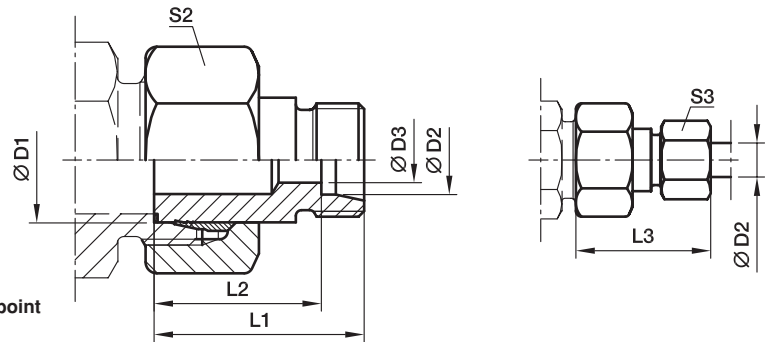
Delivery without nut and ring. Information on ordering complete fittings or alternative sealing materials see page I7.

 *Please add the **suffixes** below according to the material/surface required.

Order code suffixes			
Material	Suffix surface and material	Example	Standard sealing material (no additional suffix needed)
Steel, zinc plated, chrome ⁶⁾ -free	CF	RED16/12SOMDCF	NBR
Steel, zinc yellow plated	A3C	RED16/12SOMDA3C	NBR
Stainless Steel	71	RED16/12SOMD71	VIT

KOR Tube end reducer – Steel and Brass

EO stand pipe adjustable / EO 24° cone end

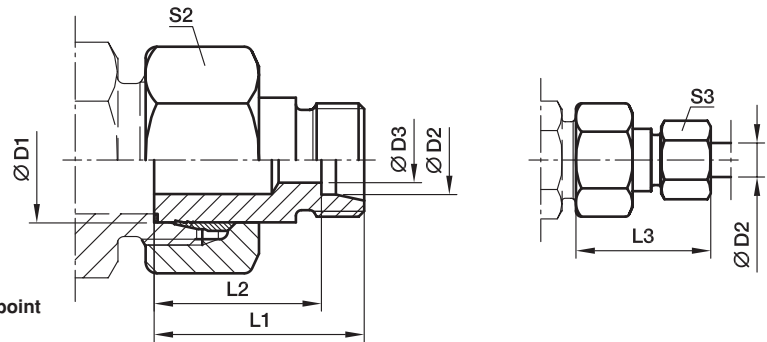


With pre-assembled nut and progressive ring for connection.
Final assembly (in appropriate body) at least 1/4 turn beyond the point of clearly perceptible resistance.

Series 2) 3)	D1	D2	D3	L1	L2	L3	S2	S3	Weight g/1 piece	Order code*	PN (bar) ¹⁾		
											CF	A3C	MS
LL	06	04	3.0	28.5	24.5	34	12	10	16	KOR06/04LLOMD	100	100	
LL	08	04	3.0	28.5	24.5	34	14	10	16	KOR08/04LLOMD	100	100	
LL	08	06	4.5	23.0	17.5	29	14	12	14	KOR08/06LLOMD	100	100	
L/LL	06	04	3.0	28.5	24.5	34	14	10	16	KOR06L/04LLOMD	100	100	
L/LL	08	04	3.0	28.5	24.5	34	17	10	16	KOR08L/04LLOMD	100	100	
L	08	06	4.0	30.5	23.5	38	17	14	27	KOR08/06LOMD	315	315	200
L/LL	10	04	3.0	28.5	24.5	34	19	10	32	KOR10L/04LLOMD	100	100	
L	10	06	4.0	30.5	23.5	38	19	14	34	KOR10/06LOMD	315	315	200
L	10	08	6.0	30.5	23.5	38	19	17	35	KOR10/08LOMD	315	315	200
L/LL	12	04	3.0	28.5	24.5	34	22	10	41	KOR12L/04LLOMD	100	100	
L	12	06	4.0	30.5	23.5	38	22	14	45	KOR12/06LOMD	315	315	200
L	12	08	6.0	30.5	23.5	38	22	17	45	KOR12/08LOMD	315	315	200
L	12	10	8.0	31.5	24.5	39	22	19	46	KOR12/10LOMD	315	315	200
L	15	06	4.0	30.5	23.5	38	27	14	68	KOR15/06LOMD	315	315	200
L	15	08	6.0	30.5	23.5	38	27	17	69	KOR15/08LOMD	315	315	200
L	15	10	8.0	31.5	24.5	39	27	19	70	KOR15/10LOMD	315	315	200
L	15	12	10.0	31.5	24.5	39	27	22	70	KOR15/12LOMD	315	315	200
L	18	06	4.0	31.5	24.5	39	32	14	100	KOR18/06LOMD	315	315	200
L	18	08	6.0	31.5	24.5	39	32	17	102	KOR18/08LOMD	315	315	200
L	18	10	8.0	32.5	25.5	40	32	19	102	KOR18/10LOMD	315	315	200
L	18	12	10.0	32.5	25.5	40	32	22	101	KOR18/12LOMD	315	315	200
L	18	15	12.0	33.5	26.5	42	32	27	106	KOR18/15LOMD	315	315	200
L	22	06	4.0	32.5	25.5	40	36	14	137	KOR22/06LOMD	160	160	100
L	22	08	6.0	32.5	25.5	40	36	17	136	KOR22/08LOMD	160	160	100
L	22	10	8.0	33.5	26.5	41	36	19	138	KOR22/10LOMD	160	160	100
L	22	12	10.0	33.5	26.5	41	36	22	138	KOR22/12LOMD	160	160	100
L	22	15	12.0	34.5	27.5	43	36	27	143	KOR22/15LOMD	160	160	100
L	22	18	15.0	34.5	27.0	43	36	32	143	KOR22/18LOMD	160	160	100
L	28	06	4.0	33.5	26.5	41	41	14	177	KOR28/06LOMD	160	160	100
L	28	08	6.0	33.5	26.5	41	41	17	179	KOR28/08LOMD	160	160	100
L	28	10	8.0	34.5	27.5	42	41	19	180	KOR28/10LOMD	160	160	100
L	28	12	10.0	34.5	27.5	42	41	22	180	KOR28/12LOMD	160	160	100
L	28	15	12.0	35.5	28.5	44	41	27	185	KOR28/15LOMD	160	160	100
L	28	18	15.0	35.5	28.0	44	41	32	184	KOR28/18LOMD	160	160	100
L	28	22	19.0	37.5	30.0	46	41	36	188	KOR28/22LOMD	160	160	100
L	35	06	4.0	38.5	31.5	46	50	14	302	KOR35/06LOMD	160	160	
L	35	08	6.0	38.5	31.5	46	50	17	306	KOR35/08LOMD	160	160	
L	35	10	8.0	39.5	32.5	47	50	19	305	KOR35/10LOMD	160	160	100
L	35	12	10.0	39.5	32.5	47	50	22	304	KOR35/12LOMD	160	160	100
L	35	15	12.0	40.5	33.5	49	50	27	308	KOR35/15LOMD	160	160	100
L	35	18	15.0	40.5	33.0	49	50	32	316	KOR35/18LOMD	160	160	100
L	35	22	19.0	42.5	35.0	51	50	36	310	KOR35/22LOMD	160	160	100
L	35	28	24.0	42.5	35.0	52	50	41	305	KOR35/28LOMD	160	160	100

KOR Tube end reducer – Steel and Brass

EO stand pipe adjustable / EO 24° cone end



With pre-assembled nut and progressive ring for connection.
Final assembly (in appropriate body) at least 1/4 turn beyond the point of clearly perceptible resistance.

Series ^{2) 3)}	D1 	D2 	D3	L1	L2	L3	S2	S3	Weight g/1 piece	Order code*	PN (bar) ¹⁾		
											CF	A3C	MS
L	42	10	8.0	40.5	33.5	48	60	19	455	KOR42/10LOMD	160	160	
L	42	12	10.0	40.5	33.5	48	60	22	438	KOR42/12LOMD	160	160	
L	42	15	12.0	41.5	34.5	50	60	27	438	KOR42/15LOMD	160	160	100
L	42	18	15.0	41.5	34.0	50	60	32	449	KOR42/18LOMD	160	160	100
L	42	22	19.0	43.5	36.0	52	60	36	461	KOR42/22LOMD	160	160	100
L	42	28	24.0	43.5	36.0	53	60	41	443	KOR42/28LOMD	160	160	100
L	42	35	30.0	45.5	35.0	57	60	50	444	KOR42/35LOMD	160	160	100

¹⁾ Pressure shown = item deliverable

²⁾ LL = very light series; ³⁾ L = light series

$\frac{\text{PN (bar)}}{10} = \text{PN (MPa)}$

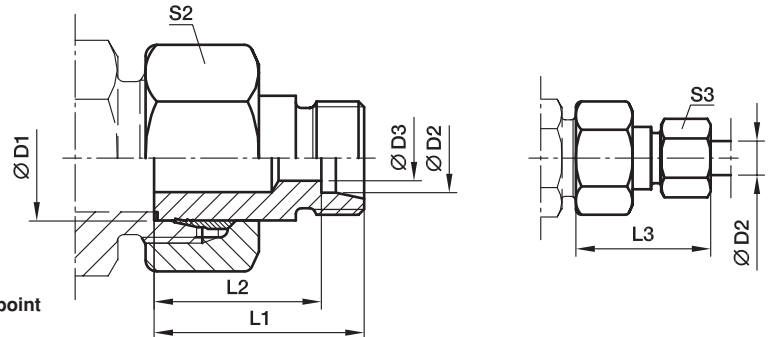
Delivery without nut and ring. Information on ordering complete fittings see page I7.

*Please add the **suffixes** below according to the material/surface required.

Order code suffixes		
Material	Suffix surface and material	Example
Steel, zinc plated, chrome ⁶ -free	CF	KOR18/15LOMDCF
Steel, zinc yellow plated	A3C	KOR18/15LOMDA3C
Brass	MS	KOR18/15LOMDMS

KOR Tube end reducer – Steel and Brass

EO stand pipe adjustable / EO 24° cone end

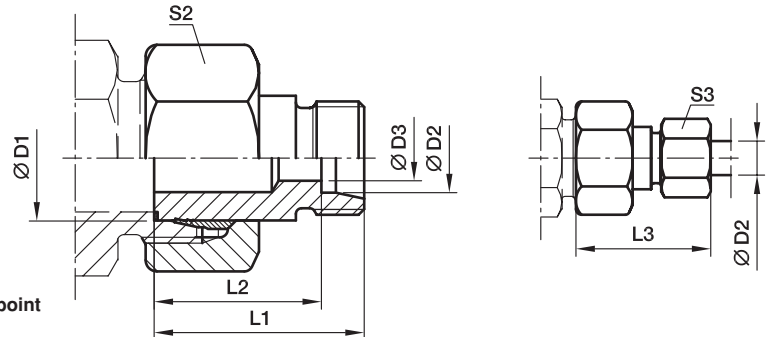


With pre-assembled nut and progressive ring for connection.
Final assembly (in appropriate body) at least 1/4 turn beyond the point of clearly perceptible resistance.

Series	D1	D2	D3	L1	L2	L3	S2	S3	Weight g/1 piece	Order code*	PN (bar) ¹⁾		
											CF	A3C	MS
S ⁴⁾	08	06	4	32	25.0	40	19	17	37	KOR08/06SOMD	630	630	400
	10	06	4	33	26.0	41	22	17	53	KOR10/06SOMD	630	630	400
	10	08	5	33	26.0	41	22	19	55	KOR10/08SOMD	630	630	400
	12	06	4	34	27.0	42	24	17	61	KOR12/06SOMD	630	630	400
	12	08	5	34	27.0	42	24	19	63	KOR12/08SOMD	630	630	400
	12	10	7	34	26.5	43	24	22	64	KOR12/10SOMD	630	630	400
	14	06	4	36	29.0	44	27	17	88	KOR14/06SOMD	630	630	400
	14	08	5	36	29.0	44	27	19	89	KOR14/08SOMD	630	630	400
	14	10	7	36	28.5	45	27	22	91	KOR14/10SOMD	630	630	400
	14	12	8	36	28.5	45	27	24	92	KOR14/12SOMD	630	630	400
16	06	4	36	29.0	44	30	17	106	KOR16/06SOMD	400	400	250	
	08	5	36	29.0	44	30	19	108	KOR16/08SOMD	400	400	250	
	10	7	36	28.5	45	30	22	114	KOR16/10SOMD	400	400	250	
	12	8	36	28.5	45	30	24	115	KOR16/12SOMD	400	400	250	
	14	10	8	38	30.0	48	30	27	116	KOR16/14SOMD	400	400	250
20	06	4	41	34.0	49	36	17	175	KOR20/06SOMD	400	400	250	
	08	5	41	34.0	49	36	19	177	KOR20/08SOMD	400	400	250	
	10	7	41	33.5	50	36	22	178	KOR20/10SOMD	400	400	250	
	12	8	41	33.5	50	36	24	180	KOR20/12SOMD	400	400	250	
	14	10	41	33.0	51	36	27	180	KOR20/14SOMD	400	400	250	
25	06	4	44	37.0	52	46	17	306	KOR25/06SOMD	400	400	250	
	08	5	44	37.0	52	46	19	311	KOR25/08SOMD	400	400	250	
	10	7	44	36.5	53	46	22	313	KOR25/10SOMD	400	400	250	
	12	8	44	36.5	53	46	24	317	KOR25/12SOMD	400	400	250	
	14	10	45	37.0	55	46	27	312	KOR25/14SOMD	400	400	250	
30	06	4	46	39.0	54	50	17	373	KOR30/06SOMD	400	400	250	
	08	5	46	39.0	54	50	19	376	KOR30/08SOMD	400	400	250	
	10	7	46	38.5	55	50	22	376	KOR30/10SOMD	400	400	250	
	12	8	46	38.5	55	50	24	377	KOR30/12SOMD	400	400	250	
	14	10	48	40.0	58	50	27	379	KOR30/14SOMD	400	400	250	
38	06	4	50	43.0	58	60	17	571	KOR38/06SOMD	315	315	200	
	08	5	50	43.0	58	60	19	567	KOR38/08SOMD	315	315	200	
	10	7	50	42.5	59	60	22	571	KOR38/10SOMD	315	315	200	
	12	8	50	42.5	59	60	24	571	KOR38/12SOMD	315	315	200	

KOR Tube end reducer – Steel and Brass

EO stand pipe adjustable / EO 24° cone end



With pre-assembled nut and progressive ring for connection.
Final assembly (in appropriate body) at least 1/4 turn beyond the point of clearly perceptible resistance.

Series	D1	D2	D3	L1	L2	L3	S2	S3	Weight g/1 piece	Order code*	PN (bar) ¹⁾		
											CF	A3C	MS
S ⁴⁾	38	14	10	52	44.0	62	60	27	575	KOR38/14SOMD	315	315	200
	38	16	12	52	43.5	62	60	30	580	KOR38/16SOMD	315	315	200
	38	20	16	54	43.5	65	60	36	593	KOR38/20SOMD	315	315	200
	38	25	20	56	44.0	68	60	46	605	KOR38/25SOMD	315	315	200
	38	30	25	58	44.5	71	60	50	614	KOR38/30SOMD	315	315	200

¹⁾ Pressure shown = item deliverable

⁴⁾ S = heavy series

$$\frac{\text{PN (bar)}}{10} = \text{PN (MPa)}$$

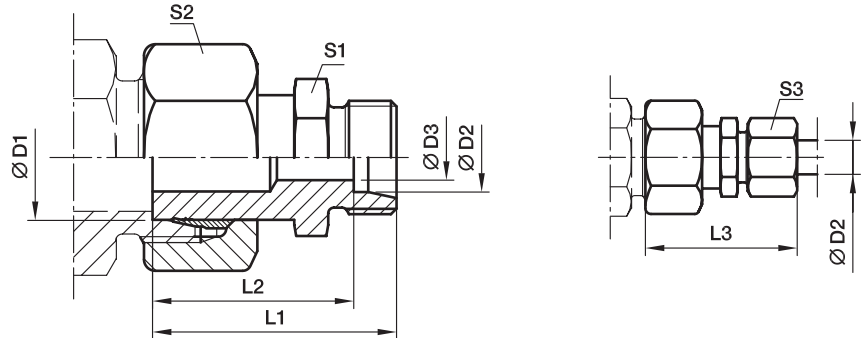
Delivery without nut and ring. Information on ordering complete fittings see page I7.

*Please add the **suffixes** below according to the material/surface required.

Order code suffixes		
Material	Suffix surface and material	Example
Steel, zinc plated, chrome ⁶ -free	CF	KOR16/10SOMDCF
Steel, zinc yellow plated	A3C	KOR16/10SOMDA3C
Brass	MS	KOR16/10SOMDMS

KOR Tube end reducer – Stainless steel

EO stand pipe adjustable / EO 24° cone end



With pre-assembled nut and progressive ring for connection.
Final assembly (in appropriate body) at least 1/4 turn beyond the point of clearly perceptible resistance.

Series	D1	D2	D3	L1	L2	L3	S1	S2	S3	Weight g/1 piece	Order code	PN (bar) ¹⁾
												71
L ³⁾	08	06	4	33.5	26.5	41	12	17	14	32	KOR08/06LOMD71	315
	10	06	4	34.5	27.5	42	12	19	14	39	KOR10/06LOMD71	315
	10	08	6	35.5	28.5	43	14	19	17	40	KOR10/08LOMD71	315
	12	06	4	36.5	29.5	44	14	22	14	49	KOR12/06LOMD71	315
	12	08	6	36.5	29.5	44	14	22	17	53	KOR12/08LOMD71	315
	12	10	8	37.5	30.5	45	17	22	19	55	KOR12/10LOMD71	315
	15	06	4	37.0	30.0	45	17	27	14	79	KOR15/06LOMD71	315
	15	08	6	37.0	30.0	45	17	27	17	78	KOR15/08LOMD71	315
	15	10	8	38.0	31.0	46	17	27	19	85	KOR15/10LOMD71	315
	15	12	10	39.0	32.0	47	19	27	22	84	KOR15/12LOMD71	315
	18	06	4	37.5	30.5	45	19	32	14	112	KOR18/06LOMD71	315
	18	08	6	37.5	30.5	45	19	32	17	113	KOR18/08LOMD71	315
	18	10	8	38.5	31.5	46	19	32	19	113	KOR18/10LOMD71	315
	18	12	10	38.5	31.5	46	19	32	22	122	KOR18/12LOMD71	315
	18	15	12	39.5	32.5	48	24	32	27	131	KOR18/15LOMD71	315
	22	06	4	38.5	31.5	46	24	36	14	154	KOR22/06LOMD71	160
	22	08	6	38.5	31.5	46	24	36	17	155	KOR22/08LOMD71	160
	22	10	8	39.5	32.5	47	24	36	19	156	KOR22/10LOMD71	160
	22	12	10	39.5	32.5	47	24	36	22	157	KOR22/12LOMD71	160
	22	15	12	40.5	33.5	49	24	36	27	160	KOR22/15LOMD71	160
	22	18	15	41.5	34.0	50	27	36	32	173	KOR22/18LOMD71	160
	28	06	4	41.0	34.0	49	30	41	14	220	KOR28/06LOMD71	160
	28	08	6	41.0	34.0	49	30	41	17	217	KOR28/08LOMD71	160
	28	10	8	42.0	35.0	50	30	41	19	211	KOR28/10LOMD71	160
28	12	10	42.0	35.0	50	30	41	22	219	KOR28/12LOMD71	160	
28	15	12	43.0	36.0	51	30	41	27	188	KOR28/15LOMD71	160	
28	18	15	43.0	35.5	52	30	41	32	218	KOR28/18LOMD71	160	
28	22	19	45.0	37.5	54	32	41	36	228	KOR28/22LOMD71	160	
35	06	4	48.5	41.5	56	36	50	14	307	KOR35/06LOMD71	160	
35	08	6	48.5	41.5	56	36	50	17	313	KOR35/08LOMD71	160	
35	10	8	49.5	42.5	57	36	50	19	370	KOR35/10LOMD71	160	
35	12	10	49.5	42.5	57	36	50	22	371	KOR35/12LOMD71	160	
35	15	12	50.5	43.5	59	36	50	27	380	KOR35/15LOMD71	160	
35	18	15	50.5	43.0	59	36	50	32	382	KOR35/18LOMD71	160	
35	22	19	52.5	45.0	61	36	50	36	380	KOR35/22LOMD71	160	
35	28	24	52.5	45.0	62	41	50	41	400	KOR35/28LOMD71	160	
42	10	8	52.5	45.5	60	46	60	19	551	KOR42/10LOMD71	160	
42	12	10	52.5	45.5	60	46	60	22	551	KOR42/12LOMD71	160	
42	15	12	53.5	46.5	62	46	60	27	687	KOR42/15LOMD71	160	
42	18	15	53.5	46.0	62	46	60	32	555	KOR42/18LOMD71	160	
42	22	19	55.5	48.0	64	46	60	36	568	KOR42/22LOMD71	160	
42	28	24	55.5	48.0	65	46	60	41	559	KOR42/28LOMD71	160	
42	35	30	57.5	47.0	69	46	60	50	588	KOR42/35LOMD71	160	

¹⁾ Pressure shown = item deliverable

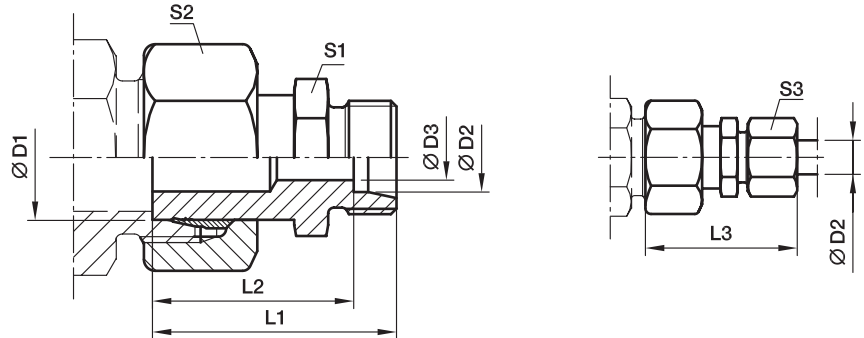
³⁾ L = light series

$$\frac{\text{PN (bar)}}{10} = \text{PN (MPa)}$$

Delivery without nut and ring. Information on ordering complete fittings see page 17.

KOR Tube end reducer – Stainless steel

EO stand pipe adjustable / EO 24° cone end



With pre-assembled nut and progressive ring for connection.
Final assembly (in appropriate body) at least 1/4 turn beyond the point of clearly perceptible resistance.

Series	D1	D2	D3	L1	L2	L3	S1	S2	S3	Weight g/1 piece	Order code	PN (bar) ¹⁾	
												71	
S ⁴⁾	08	06	4	36.5	29.5	44	14	19	17	16	KOR08/06SOMD71	630	
	10	06	4	38.5	31.5	46	14	22	17	16	KOR10/06SOMD71	630	
	10	08	5	38.5	31.5	46	17	22	19	14	KOR10/08SOMD71	630	
	12	06	4	38.5	31.5	46	14	24	17	16	KOR12/06SOMD71	630	
	12	08	5	38.5	31.5	46	17	24	19	16	KOR12/08SOMD71	630	
	12	10	7	39.5	32.0	48	19	24	22	27	KOR12/10SOMD71	630	
	14	06	4	40.5	33.5	48	17	27	17	32	KOR14/06SOMD71	630	
	14	08	5	40.5	33.5	48	17	27	19	34	KOR14/08SOMD71	630	
	14	10	7	41.5	34.0	50	19	27	22	35	KOR14/10SOMD71	630	
	14	12	8	41.5	34.0	50	22	27	24	41	KOR14/12SOMD71	630	
	16	06	4	41.0	34.0	49	17	30	17	44	KOR16/06SOMD71	400	
	16	08	5	41.0	34.0	49	17	30	19	45	KOR16/08SOMD71	400	
	16	10	7	42.0	34.5	51	19	30	22	46	KOR16/10SOMD71	400	
	16	12	8	42.0	34.5	51	22	30	24	68	KOR16/12SOMD71	400	
	16	14	10	44.0	36.0	54	24	30	27	69	KOR16/14SOMD71	400	
	20	06	4	46.0	39.0	54	22	36	17	70	KOR20/06SOMD71	400	
	20	08	5	46.0	39.0	54	22	36	19	70	KOR20/08SOMD71	400	
	20	10	7	46.0	38.5	55	22	36	22	100	KOR20/10SOMD71	400	
	20	12	8	46.0	38.5	55	22	36	24	101	KOR20/12SOMD71	400	
	20	14	10	48.0	40.0	58	24	36	27	101	KOR20/14SOMD71	400	
	20	16	12	49.0	40.5	59	27	36	30	101	KOR20/16SOMD71	400	
	25	06	4	50.5	43.5	58	27	46	17	106	KOR25/06SOMD71	400	
	25	08	5	50.5	43.5	58	27	46	19	136	KOR25/08SOMD71	400	
	25	10	7	50.5	43.0	59	27	46	22	136	KOR25/10SOMD71	400	
	25	12	8	50.5	43.0	59	27	46	24	138	KOR25/12SOMD71	400	
	25	14	10	52.5	44.5	62	27	46	27	138	KOR25/14SOMD71	400	
	25	16	12	52.5	44.0	62	27	46	30	143	KOR25/16SOMD71	400	
	25	20	16	54.5	44.0	66	32	46	36	143	KOR25/20SOMD71	400	
	30	06	4	53.0	46.0	61	32	50	17	177	KOR30/06SOMD71	400	
	30	08	5	53.0	46.0	61	32	50	19	179	KOR30/08SOMD71	400	
	30	10	7	53.0	45.5	62	32	50	22	180	KOR30/10SOMD71	400	
	30	12	8	53.0	45.5	62	32	50	24	180	KOR30/12SOMD71	400	
	30	14	10	55.0	47.0	65	32	50	27	185	KOR30/14SOMD71	400	
	30	16	12	55.0	46.5	65	32	50	30	184	KOR30/16SOMD71	400	
	30	20	16	57.0	46.5	68	32	50	36	188	KOR30/20SOMD71	400	
	30	25	20	60.0	48.0	72	41	50	46	302	KOR30/25SOMD71	400	
38	06	4	60.0	53.0	68	41	60	17	306	KOR38/06SOMD71	315		
38	08	5	60.0	53.0	68	41	60	19	305	KOR38/08SOMD71	315		
38	10	7	60.0	52.5	69	41	60	22	304	KOR38/10SOMD71	315		
38	12	8	60.0	52.5	69	41	60	24	308	KOR38/12SOMD71	315		
38	14	10	62.0	54.0	72	41	60	27	316	KOR38/14SOMD71	315		
38	16	12	62.0	53.5	72	41	60	30	310	KOR38/16SOMD71	315		
38	20	16	64.0	53.5	75	41	60	36	305	KOR38/20SOMD71	315		
38	25	20	66.0	54.0	78	41	60	46	455	KOR38/25SOMD71	315		
38	30	25	69.0	55.5	82	46	60	50	438	KOR38/30SOMD71	315		

¹⁾ Pressure shown = item deliverable

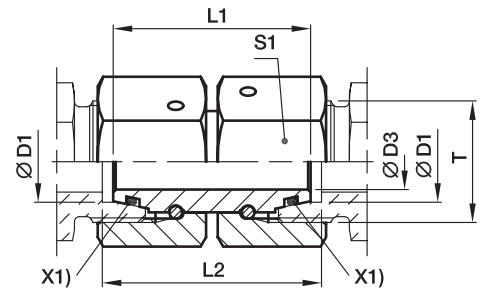
⁴⁾ S = heavy series

Delivery without nut and ring. Information on ordering complete fittings see page 17.

$$\frac{\text{PN (bar)}}{10} = \text{PN (MPa)}$$

GZ Swivel union

EO 24° DKO swivel



X1) O-ring OR

Series	D1 	T	D3	L1	L2	S1	Weight g/1 piece	Order code*	PN (bar) ¹⁾		
									CF	A3C	71
L ³⁾	06	M 14×1.5	2.5	32	33	14	28	GZ06L	500	315	315
	08	M 14×1.5	4.0	32	33	17	41	GZ08L	500	315	315
	10	M 16×1.5	6.0	33	34	19	53	GZ10L	500	315	315
	12	M 18×1.5	8.0	33	34	22	71	GZ12L	400	315	315
	15	M 22×1.5	10.0	38	39	27	129	GZ15L	400	315	315
	18	M 26×1.5	13.0	36	38	32	165	GZ18L	400	315	315
	22	M 30×2	17.0	42	44	36	243	GZ22L	250	160	160
	28	M 36×2	22.0	46	48	41	319	GZ28L	250	160	160
	35	M 45×2	28.0	48	52	50	449	GZ35L	250	160	160
	42	M 52×2	34.0	52	57	60	737	GZ42L	250	160	160
S ⁴⁾	06	M 14×1.5	2.5	32	33	17	41	GZ06S	800	630	630
	08	M 16×1.5	4.0	33	34	19	54	GZ08S	800	630	630
	10	M 18×1.5	6.0	33	35	22	74	GZ10S	800	630	630
	12	M 20×1.5	8.0	36	38	24	95	GZ12S	630	630	630
	14	M 22×1.5	9.0	39	41	27	131	GZ14S	630	630	630
	16	M 24×1.5	11.0	39	42	30	172	GZ16S	630	400	400
	20	M 30×2	14.0	44	48	36	261	GZ20S	420	400	400
	25	M 36×2	18.0	46	53	46	477	GZ25S	420	400	400
	30	M 42×2	23.0	52	62	50	605	GZ30S	420	400	400
	38	M 52×2	30.0	52	67	60	826	GZ38S	420	315	315

¹⁾ Pressure shown = item deliverable

³⁾ L = light series; ⁴⁾ S = heavy series

$$\frac{PN \text{ (bar)}}{10} = PN \text{ (MPa)}$$

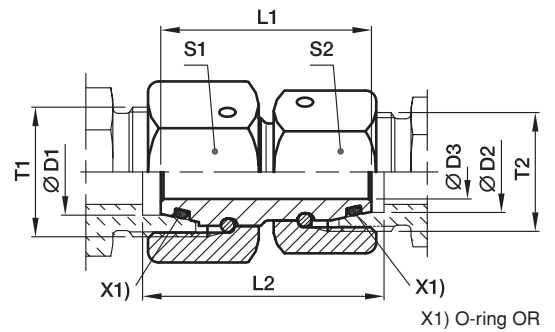
Information on ordering complete fittings or alternative sealing materials see page I7.

Order code suffixes			
Material	Suffix surface and material	Example	Standard sealing material (no additional suffix needed)
Steel, zinc plated, chrome ⁶⁾ -free	CF	GZ16SCF	NBR
Steel, zinc yellow plated	A3C	GZ16SA3C	NBR
Stainless Steel	71	GZ16S71	VIT

*Please add the **suffixes** below according to the material/surface required.

GZR Swivel reducer

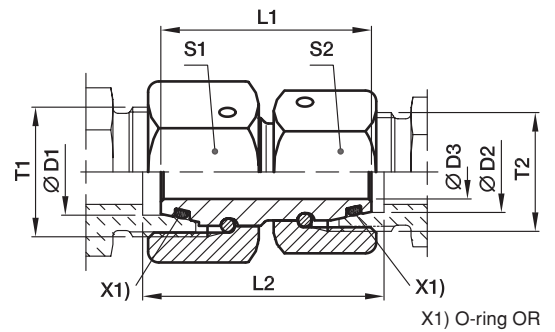
EO 24° DKO swivel



Series 3) 4)	D1 	D2 	T1	T2	D3	L1	L2	S1	S2	Weight g/1 piece	Order code*	PN (bar) ¹⁾	
												CF	A3C
L/S	06	06	M 14×1.5	M 12×1.5	2.5	32	33.0	17	14	34	GZR06L/06S	500	315
L	08	06	M 14×1.5	M 12×1.5	2.5	32	33.0	17	14	36	GZR08/06L	500	315
L/S	08	08	M 16×1.5	M 14×1.5	4.0	33	34.0	19	17	48	GZR08L/08S	500	315
L	10	06	M 16×1.5	M 12×1.5	2.5	33	34.0	19	14	44	GZR10/06L	500	315
L	10	08	M 16×1.5	M 14×1.5	4.0	33	34.0	19	17	50	GZR10/08L	500	315
L/S	10	10	M 18×1.5	M 16×1.5	6.0	33	34.5	22	19	63	GZR10L/10S	500	315
L	12	06	M 18×1.5	M 12×1.5	2.5	33	34.0	22	14	56	GZR12/06L	400	315
L	12	08	M 18×1.5	M 14×1.5	4.0	33	34.0	22	17	62	GZR12/08L	400	315
L	12	10	M 18×1.5	M 16×1.5	6.0	33	34.0	22	19	65	GZR12/10L	400	315
L/S	12	12	M 20×1.5	M 18×1.5	8.0	36	37.5	24	22	85	GZR12L/12S	400	315
L	15	08	M 22×1.5	M 14×1.5	4.0	38	39.0	27	17	98	GZR15/08L	400	315
L	15	10	M 22×1.5	M 16×1.5	6.0	38	39.0	27	19	101	GZR15/10L	400	315
L	15	12	M 22×1.5	M 18×1.5	8.0	38	39.0	27	22	108	GZR15/12L	400	315
L	18	10	M 26×1.5	M 16×1.5	6.0	36	37.5	32	19	125	GZR18/10L	400	315
L	18	12	M 26×1.5	M 18×1.5	8.0	36	37.5	32	22	132	GZR18/12L	400	315
L	18	15	M 22×1.5	M 22×1.5	10.0	38	39.5	32	27	155	GZR18/15L	400	315
L/S	18	16	M 26×1.5	M 24×1.5	11.0	39	41.5	32	30	177	GZR18L/16S	400	315
L	22	12	M 30×2	M 18×1.5	8.0	42	43.5	36	22	195	GZR22/12L	250	160
L	22	15	M 30×2	M 22×1.5	10.0	42	43.5	36	27	215	GZR22/15L	250	160
L	22	18	M 30×2	M 26×1.5	13.0	42	44.0	36	32	228	GZR22/18L	250	160
L/S	22	20	M 30×2	M 30×2	14.0	44	47.0	36	36	266	GZR22L/20S	250	160
L	28	15	M 36×2	M 22×1.5	10.0	46	47.5	41	27	143	GZR28/15L	250	160
L	28	18	M 36×2	M 26×1.5	13.0	46	48.0	41	32	311	GZR28/18L	250	160
L	28	22	M 36×2	M 30×2	17.0	46	46.0	41	36	309	GZR28/22L	250	160
L/S	28	25	M 36×2	M 36×2	18.0	46	50.5	41	46	419	GZR28L/25S	250	160
L	35	18	M 45×2	M 26×1.5	13.0	48	51.0	50	32	430	GZR35/18L	250	160
L	35	22	M 45×2	M 30×2	17.0	48	51.0	50	36	429	GZR35/22L	250	160
L	35	28	M 45×2	M 36×2	22.0	48	51.0	50	41	415	GZR35/28L	250	160
L/S	35	30	M 45×2	M 42×2	23.0	52	59.0	50	50	577	GZR35L/30S	250	160
L	42	22	M 52×2	M 30×2	17.0	52	55.5	60	36	653	GZR42/22L	250	160
L	42	28	M 52×2	M 36×2	22.0	52	55.5	60	41	648	GZR42/28L	250	160
L	42	35	M 52×2	M 45×2	28.0	52	56.5	60	50	662	GZR42/35L	250	160
L/S	42	38	M 52×2	M 52×2	30.0	52	62.0	60	60	822	GZR42L/38S	250	160
S	08	06	M 16×1.5	M 14×1.5	2.5	33	34.0	19	17	49	GZR08/06S	800	630
S	10	06	M 18×1.5	M 14×1.5	2.5	33	34.5	22	17	60	GZR10/06S	800	630
S	10	08	M 18×1.5	M 16×1.5	4.0	33	34.5	22	19	66	GZR10/08S	800	630
S	12	06	M 20×1.5	M 14×1.5	2.5	36	37.5	24	17	77	GZR12/06S	630	630
S	12	08	M 20×1.5	M 16×1.5	4.0	36	37.5	24	19	82	GZR12/08S	630	630
S	12	10	M 20×1.5	M 18×1.5	6.0	36	38.0	24	22	89	GZR12/10S	630	630
S	16	10	M 24×1.5	M 18×1.5	6.0	39	41.5	30	22	138	GZR16/10S	630	400
S	16	12	M 24×1.5	M 20×1.5	8.0	39	41.5	30	24	143	GZR16/12S	630	400
S/L	16	15	M 24×1.5	M 22×1.5	10.0	39	41.0	30	27	153	GZR16S/15L	400	315
S	20	12	M 30×2	M 20×1.5	8.0	44	47.0	36	24	204	GZR20/12S	420	400

GZR Swivel reducer

EO 24° DKO swivel



Series ^{3) 4)}	D1	D2	T1	T2	D3	L1	L2	S1	S2	Weight g/1 piece	Order code*	PN (bar) ¹⁾	
												CF	A3C
S	20	16	M 30×2	M 24×1.5	11.0	44	47.5	36	30	232	GZR20/16S	420	400
S/L	20	18	M 30×2	M 26×1.5	13.0	44	47.0	36	32	224	GZR20S/18L	400	315
S	25	16	M 36×2	M 24×1.5	11.0	46	51.0	46	30	224	GZR25/16S	420	400
S	25	20	M 36×2	M 30×2	14.0	46	51.5	46	36	364	GZR25/20S	420	400
S/L	25	22	M 36×2	M 30×2	17.0	46	50.5	46	36	475	GZR25S/22L	250	160
S	30	16	M 42×2	M 24×1.5	11.0	52	58.5	50	30	475	GZR30/16S	420	400
S	30	20	M 42×2	M 30×2	14.0	52	59.0	50	36	500	GZR30/20S	420	400
S	30	25	M 42×2	M 36×2	18.0	52	60.5	50	46	589	GZR30/25S	420	400
S/L	30	28	M 42×2	M 36×2	22.0	52	58.0	50	41	476	GZR30S/28L	250	160
S	38	20	M 52×2	M 30×2	14.0	52	61.5	60	36	671	GZR38/20S	420	315
S	38	25	M 52×2	M 36×2	18.0	52	63.0	60	46	759	GZR38/25S	420	315
S	38	30	M 52×2	M 42×2	23.0	52	64.5	60	50	767	GZR38/30S	420	315
S/L	38	35	M 52×2	M 45×2	28.0	52	61.5	60	50	662	GZR38S/35L	250	160

¹⁾ Pressure shown = item deliverable

³⁾ L = light series; ⁴⁾ S = heavy series

$$\frac{\text{PN (bar)}}{10} = \text{PN (MPa)}$$

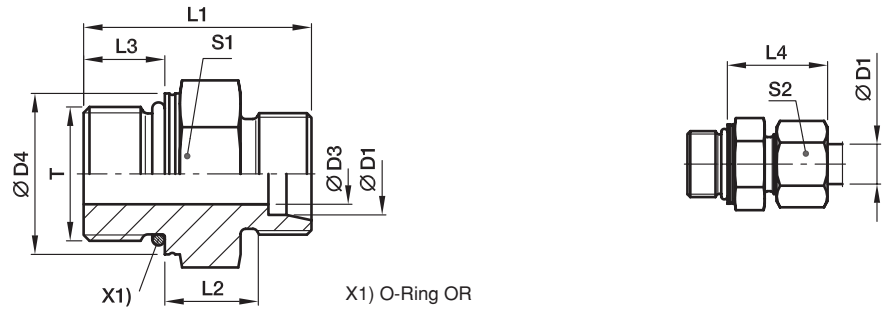
Information on ordering complete fittings or alternative sealing materials see page 17.

*Please add the **suffixes** below according to the material/surface required.

Order code suffixes			
Material	Suffix surface and material	Example	Standard sealing material (no additional suffix needed)
Steel, zinc plated, chrome ⁶ -free	CF	GZR16/12SCF	NBR
Steel, zinc yellow plated	A3C	GZR16/12SA3C	NBR

GEO Male stud connector

Male metric thread – O-ring (ISO 6149) / EO 24° cone end



Series	D1	T	D3	D4	L1	L2	L3	L4	S1	S2	Weight g/1 piece	Order code*	PN (bar) ¹⁾		
													CF	A3C	71
LL ²⁾	04	M 08×1	3.0	10.8	20.0	9.5	6.5	19.0	11	10	8	GEO04LLMOMD	100	100	
	04	M 10×1	3.0	12.8	20.0	9.5	6.5	19.0	13	10	11	GEO04LLM10X1OMD	100	100	
	06	M 10×1	4.5	12.8	20.0	8.0	6.5	19.5	13	12	10	GEO06LLMOMD	100	100	
L ³⁾	06	M 10×1	4.5	14.0	24.0	8.5	8.5	23.0	14	14	15	GEO06LMOMD	500	315	315
	08	M 12×1.5	6.0	17.0	28.0	10.0	11.0	25.0	17	17	23	GEO08LMOMD	500	315	315
	10	M 14×1.5	7.5	19.0	29.0	11.0	11.0	26.0	19	19	28	GEO10LMOMD	500	315	315
	12	M 16×1.5	9.0	22.0	31.0	12.5	11.5	27.0	22	22	40	GEO12LMOMD	400	315	315
	15	M 18×1.5	11.0	24.0	33.0	13.5	12.5	29.0	24	27	56	GEO15LMOMD	400	315	315
	18	M 22×1.5	14.0	27.0	35.0	14.5	13.0	31.0	27	32	80	GEO18LMOMD	400	315	315
	22	M 27×2	18.0	32.0	40.0	16.5	16.0	33.0	32	36	104	GEO22LM27X2OMD	250	160	160
	28	M 33×2	23.0	41.0	41.0	17.5	16.0	34.0	41	41	171	GEO28LMOMD	250	160	160
	35	M 42×2	30.0	50.0	44.0	17.5	16.0	39.0	50	50	278	GEO35LMOMD	250	160	160
	42	M 48×2	36.0	55.0	47.5	19.0	17.5	42.0	55	60	340	GEO42LMOMD	250	160	160
S ⁴⁾	06	M 12×1.5	4.0	17.0	31.0	13.0	11.0	28.0	17	17	29	GEO06SMOMD	800	630	630
	08	M 14×1.5	6.0	19.0	33.0	15.0	11.0	30.0	19	19	41	GEO08SMOMD	800	630	630
	10	M 16×1.5	7.0	22.0	35.0	15.0	12.5	31.0	22	22	55	GEO10SMOMD	800	630	630
	12	M 18×1.5	9.0	24.0	38.5	17.0	14.0	33.0	24	24	73	GEO12SMOMD	630	630	630
	16	M 22×1.5	12.0	27.0	42.0	18.5	15.0	37.0	27	30	102	GEO16SMOMD	630	400	400
	20	M 27×2	15.0	32.0	49.5	20.5	18.5	42.0	32	36	169	GEO20SMOMD	420	400	400
	25	M 33×2	20.0	41.0	53.5	23.0	18.5	47.0	41	46	274	GEO25SMOMD	420	400	400
	30	M 42×2	26.0	50.0	56.0	23.5	19.0	50.0	50	50	412	GEO30SMOMD	420	400	400
	38	M 48×2	32.0	55.0	63.5	26.0	21.5	57.0	55	60	580	GEO38SMOMD	420	315	315

¹⁾ Pressure shown = item deliverable

²⁾ LL = very light series; ³⁾ L = light series; ⁴⁾ S = heavy series

$$\frac{\text{PN (bar)}}{10} = \text{PN (MPa)}$$

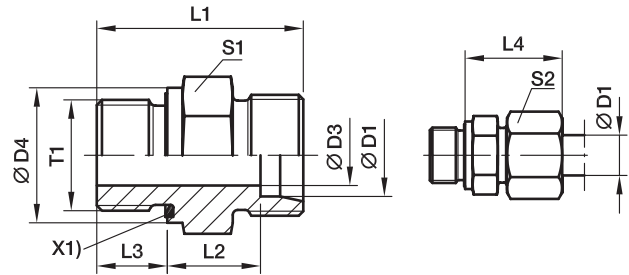
Delivery without nut and ring. Information on ordering complete fittings or alternative sealing materials see page 17.

*Please add the **suffixes** below according to the material/surface required.

Order code suffixes			
Material	Suffix surface and material	Example	Standard sealing material (no additional suffix needed)
Steel, zinc plated, chrome ⁶⁾ -free	CF	GEO16SMOMDCF	NBR
Steel, zinc yellow plated	A3C	GEO16SMOMDA3C	NBR
Stainless Steel	71	GEO16SMOMD71	VIT

GE-M-ED Male stud connector

Male metric thread – ED (ISO 9974) / EO 24° cone end



X1) Eolastic-sealing ED

Series	D1	T1	D3	D4	L1	L2	L3	L4	S1	S2	Weight g/1 piece	Order code*	PN (bar) ¹⁾		
													CF	A3C	71
L ³⁾	06	M10×1	4	14	23.5	8.5	8	23	14	14	13	GE06LMEDOMD	500	315	315
	08	M12×1.5	6	17	29.0	10.0	12	25	17	17	22	GE08LMEDOMD	500	315	315
	10	M14×1.5	7	19	30.0	11.0	12	26	19	19	29	GE10LMEDOMD	500	315	315
	10	M12×1.5	6	17	30.0	11.0	12	26	17	19	23	GE10LM12X1.5EDOMD	315	315	315
	10	M16×1.5	8	22	31.5	12.5	12	24	22	19	40	GE10LM16X1.5EDOMD	400	315	315
	10	M18×1.5	8	24	31.5	12.5	12	27	24	19	50	GE10LM18X1.5EDOMD	400	315	315
	10	M22×1.5	8	27	35.0	14.0	14	29	27	19	80	GE10LM22X1.5EDOMD	400	315	315
	12	M16×1.5	9	22	31.5	12.5	12	27	22	22	40	GE12LMEDOMD	400	315	315
	12	M14×1.5	7	19	30.0	11.0	12	26	19	22	30	GE12LM14X1.5EDOMD	400	315	315
	12	M18×1.5	10	24	31.5	12.5	12	27	24	22	47	GE12LM18X1.5EDOMD	400	315	315
	12	M22×1.5	10	27	35.0	14.0	14	29	27	22	75	GE12LM22X1.5EDOMD	400	315	315
	15	M18×1.5	11	24	32.5	13.5	12	29	24	27	51	GE15LMEDOMD	400	315	315
	15	M16×1.5	9	22	32.0	13.0	12	28	24	27	64	GE15LM16X1.5EDOMD	400	315	315
	15	M22×1.5	12	27	36.0	15.0	14	30	27	27	77	GE15LM22X1.5EDOMD	400	315	315
	18	M22×1.5	14	27	36.0	14.5	14	31	27	32	74	GE18LMEDOMD	400	315	315
	18	M18×1.5	11	24	33.5	14.0	12	30	27	32	68	GE18LM18X1.5EDOMD	400	315	315
	22	M26×1.5	18	32	40.0	16.5	16	33	32	36	103	GE22LMEDOMD	250	160	160
	22	M22×1.5	14	32	38.0	16.5	14	33	32	36	97	GE22LM22X1.5EDOMD	250	160	160
28	M33×2	23	40	43.0	17.5	18	34	41	41	168	GE28LMEDOMD	250	160	160	
35	M42×2	30	50	48.0	17.5	20	39	50	50	281	GE35LMEDOMD	250	160	160	
42	M48×2	36	55	52.0	19.0	22	42	55	60	356	GE42LMEDOMD	250	160	160	
S ⁴⁾	06	M12×1.5	4	17	32.0	13.0	12	28	17	17	30	GE06SMEDOMD	800	630	630
	08	M14×1.5	5	19	34.0	15.0	12	30	19	19	42	GE08SMEDOMD	800	630	630
	10	M16×1.5	7	22	34.5	15.0	12	31	22	22	54	GE10SMEDOMD	800	630	630
	12	M18×1.5	8	24	36.5	17.0	12	33	24	24	71	GE12SMEDOMD	630	630	630
	12	M14×1.5	5	19	36.0	16.5	12	33	22	24	60	GE12SM14X1.5EDOMD	630	630	630
	12	M22×1.5	8	27	39.0	17.5	14	34	27	24	102	GE12SM22X1.5EDOMD	630	400	400
	14	M20×1.5	10	26	41.0	19.0	14	37	27	27	98	GE14SMEDOMD	630	630	630
	16	M22×1.5	12	27	41.0	18.5	14	37	27	30	95	GE16SMEDOMD	630	400	400
	16	M18×1.5	8	24	38.5	18.0	12	36	27	30	88	GE16SM18X1.5EDOMD	630	400	400
	20	M27×2	16	32	47.0	20.5	16	42	32	36	150	GE20SMEDOMD	420	400	400
	25	M33×2	20	40	53.0	23.0	18	47	41	46	264	GE25SMEDOMD	420	400	400
	30	M42×2	25	50	57.0	23.5	20	50	50	50	422	GE30SMEDOMD	420	400	400
	38	M48×2	32	55	64.0	26.0	22	57	55	60	569	GE38SMEDOMD	420	315	315

¹⁾ Pressure shown = item deliverable

³⁾ L = light series; ⁴⁾ S = heavy series

$$\frac{\text{PN (bar)}}{10} = \text{PN (MPa)}$$

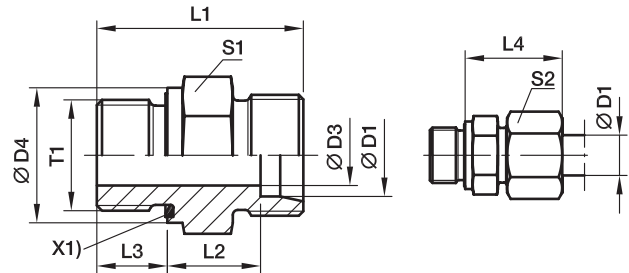
Delivery without nut and ring. Information on ordering complete fittings or alternative sealing materials see page 17.

*Please add the **suffixes** below according to the material/surface required.

Order code suffixes			
Material	Suffix surface and material	Example	Standard sealing material (no additional suffix needed)
Steel, zinc plated, chrome ²⁾ -free	CF	GE16SMEDOMDCF	NBR
Steel, zinc yellow plated	A3C	GE16SMEDOMDA3C	NBR
Stainless Steel	71	GE16SMEDOMD71	VIT

GE-R-ED Male stud connector

Male BSPP thread – ED-seal (ISO 1179) / EO 24° cone end



X1) Eolastic-sealing ED

Series	D1	T1	D3	D4	L1	L2	L3	L4	S1	S2	Weight g/1 piece	Order code*	PN (bar) ¹⁾			
													CF	A3C	71	MS
LL ²⁾	04	G1/8A	3	14	20.0	9.5	6.5	19	14	10	10	GE04LLREDOMD	100	100	100	63
	06	G1/8A	4	14	20.0	8.0	6.5	20	14	12	11	GE06LLREDOMD	100	100	100	63
L ³⁾	06	G1/8A	4	14	23.5	8.5	8.0	23	14	14	13	GE06LREDOMD	500	315	315	200
	06	G1/4A	4	19	29.0	10.0	12.0	25	19	14	28	GE06LR1/4EDOMD	500	315	315	200
	06	G3/8A	4	22	30.5	11.5	12.0	26	22	14	44	GE06LR3/8EDOMD	400	315	315	200
	06	G1/2A	4	27	33.0	12.0	14.0	27	27	14	61	GE06LR1/2EDOMD	400	315	315	200
	08	G1/4A	6	19	29.0	10.0	12.0	25	19	17	27	GE08LREDOMD	500	315	315	200
	08	G1/8A	4	14	24.5	9.5	8.0	24	14	17	16	GE08LR1/8EDOMD	500	315	315	200
	08	G3/8A	6	22	30.5	11.5	12.0	26	22	17	45	GE08LR3/8EDOMD	400	315	315	200
	08	G1/2A	6	27	33.0	12.0	14.0	27	27	17	74	GE08LR1/2EDOMD	400	315	315	200
	10	G1/4A	6	19	30.0	11.0	12.0	26	19	19	29	GE10LREDOMD	500	315	315	200
	10	G1/8A	4	14	25.5	10.5	8.0	25	17	19	21	GE10LR1/8EDOMD	500	315	315	200
	10	G3/8A	8	22	31.5	12.5	12.0	27	22	19	43	GE10LR3/8EDOMD	400	315	315	200
	10	G1/2A	8	27	34.0	13.0	14.0	28	27	19	71	GE10LR1/2EDOMD	400	315	315	200
	12	G3/8A	9	22	31.5	12.5	12.0	27	22	22	41	GE12LREDOMD	400	315	315	200
	12	G1/8A	4	14	26.5	11.5	8.0	26	19	22	26	GE12LR1/8EDOMD	315	315	315	200
	12	G1/4A	6	19	31.0	12.0	12.0	27	19	22	31	GE12LR1/4EDOMD	400	315	315	200
	12	G1/2A	10	27	34.0	13.0	14.0	28	27	22	67	GE12LR1/2EDOMD	400	315	315	200
	12	G3/4A	10	32	37.0	14.0	16.0	29	32	22	118	GE12LR3/4EDOMD	250	160	160	100
	15	G1/2A	11	27	35.0	14.0	14.0	29	27	27	72	GE15LREDOMD	400	315	315	200
	15	G3/8A	9	22	32.5	13.5	12.0	29	24	27	54	GE15LR3/8EDOMD	400	315	315	200
	15	G3/4A	12	32	38.0	15.0	16.0	30	32	27	116	GE15LR3/4EDOMD	250	160	160	100
	18	G1/2A	14	27	36.0	14.5	14.0	31	27	32	71	GE18LREDOMD	400	315	315	200
	18	G3/8A	9	22	33.5	14.0	12.0	30	27	32	66	GE18LR3/8EDOMD	400	315	315	200
	18	G3/4A	15	32	38.0	14.5	16.0	31	32	32	110	GE18LR3/4EDOMD	250	160	160	100
	22	G3/4A	18	32	40.0	16.5	16.0	33	32	36	102	GE22LREDOMD	250	160	160	100
	22	G1/2A	14	27	38.0	16.5	14.0	33	32	36	91	GE22LR1/2EDOMD	250	160	160	100
	22	G1A	19	40	43.0	17.5	18.0	34	41	36	189	GE22LR1EDOMD	250	160	160	100
	28	G1A	23	40	43.0	17.5	18.0	34	41	41	170	GE28LREDOMD	250	160	160	100
	28	G3/4A	18	32	41.0	17.5	16.0	34	41	41	159	GE28LR3/4EDOMD	250	160	160	100
	28	G11/4A	24	50	46.0	18.5	20.0	35	50	41	316	GE28LR11/4EDOMD	250	160	160	100
	35	G11/4A	30	50	48.0	17.5	20.0	39	50	50	272	GE35LREDOMD	250	160	160	100
	35	G1A	23	40	46.0	17.5	18.0	39	46	50	226	GE35LR1EDOMD	250	160	160	100
	35	G11/2A	30	55	52.0	19.5	22.0	41	55	50	423	GE35LR11/2EDOMD	250	160	160	100
	42	G11/2A	36	55	52.0	19.0	22.0	42	55	60	343	GE42LREDOMD	250	160	160	100
	42	G1A	23	40	48.0	19.0	18.0	42	55	60	324	GE42LR1EDOMD	250	160	160	100
	42	G11/4A	30	50	50.0	19.0	20.0	42	55	60	348	GE42LR11/4EDOMD	250	160	160	100

¹⁾ Pressure shown = item deliverable

²⁾ LL = very light series; ³⁾ L = light series

$$\frac{PN \text{ (bar)}}{10} = PN \text{ (MPa)}$$

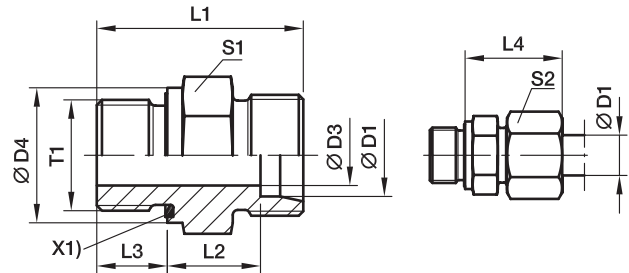
Delivery without nut and ring. Information on ordering complete fittings or alternative sealing materials see page 17.

*Please add the **suffixes** below according to the material/surface required.

Order code suffixes			
Material	Suffix surface and material	Example	Standard sealing material (no additional suffix needed)
Steel, zinc plated, chrome ²⁾ -free	CF	GE18LREDOMDCF	NBR
Stahl, zinc yellow plated	A3C	GE18LREDOMDA3C	NBR
Stainless Steel	71	GE18LREDOMD71	VIT
Brass	MS	GE18LREDOMDMS	NBR

GE-R-ED Male stud connector

Male BSPP thread – ED-seal (ISO 1179) / EO 24° cone end



X1) Eolastic-sealing ED

Series	D1	T1	D3	D4	L1	L2	L3	L4	S1	S2	Weight g/1 piece	Order code*	PN (bar) ¹⁾			
													CF	A3C	71	MS
S ⁴⁾	06	G1/4A	4	19	32.0	13.0	12	28	19	17	35	GE06SREDOMD	800	630	630	400
	06	G1/8A	4	14	27.5	12.5	8	27	14	17	21	GE06SR1/8EDOMD	315	315	315	
	06	G3/8A	4	22	34.5	15.5	12	30	22	17	52	GE06SR3/8EDOMD	630	630	630	
	06	G1/2A	4	27	39.0	18.0	14	33	27	17	83	GE06SR1/2EDOMD	630	630	630	
	08	G1/4A	5	19	34.0	15.0	12	30	19	19	41	GE08SREDOMD	800	630	630	400
	08	G3/8A	5	22	34.5	15.5	12	30	22	19	57	GE08SR3/8EDOMD	800	630	630	
	08	G1/2A	5	27	39.0	18.0	14	33	27	19	89	GE08SR1/2EDOMD	630	400	400	
	10	G3/8A	7	22	34.5	15.0	12	31	22	22	55	GE10SREDOMD	800	630	630	400
	10	G1/4A	5	19	34.0	14.5	12	31	19	22	42	GE10SR1/4EDOMD	800	630	630	
	10	G1/2A	7	27	39.0	17.5	14	34	27	22	97	GE10SR1/2EDOMD	630	630	630	
	12	G3/8A	8	22	36.5	17.0	12	33	22	24	62	GE12SREDOMD	630	630	630	400
	12	G1/4A	5	19	36.0	16.5	12	33	22	24	61	GE12SR1/4EDOMD	630	630	630	
	12	G1/2A	8	27	39.0	17.5	14	34	27	24	99	GE12SR1/2EDOMD	630	630	630	
	14	G1/2A	10	27	41.0	19.0	14	37	27	27	96	GE14SREDOMD	630	630	630	400
	14	G3/8A	8	22	38.5	18.5	12	36	24	27	74	GE14SR3/8EDOMD	630	630	630	
	14	G3/4A	10	32	45.0	21.0	16	39	32	27	138	GE14SR3/4EDOMD	400	400	400	
	16	G1/2A	12	27	41.0	18.5	14	37	27	30	91	GE16SREDOMD	630	400	400	250
	16	G3/8A	8	22	38.5	18.0	12	36	27	30	83	GE16SR3/8EDOMD	630	400	400	
	16	G3/4A	12	32	45.0	20.5	16	39	32	30	152	GE16SR3/4EDOMD	420	400	400	
	20	G3/4A	16	32	47.0	20.5	16	42	32	36	149	GE20SREDOMD	420	400	400	250
20	G1/2A	12	27	45.0	20.5	14	42	32	36	142	GE20SR1/2EDOMD	420	400	400		
20	G1A	16	40	51.0	22.5	18	44	41	36	265	GE20SR1EDOMD	420	400	400		
20	G11/4A	16	50	53.0	22.5	20	44	50	36	404	GE20SR11/4EDOMD	400	400	400		
25	G1A	20	40	53.0	23.0	18	47	41	46	266	GE25SREDOMD	420	400	400	250	
25	G1/2A	12	27	49.0	23.0	14	47	41	46	228	GE25SR1/2EDOMD	420	400	400		
25	G3/4A	16	32	51.0	23.0	16	47	41	46	255	GE25SR3/4EDOMD	420	400	400		
25	G11/4A	20	50	55.0	23.0	20	47	50	46	411	GE25SR11/4EDOMD	400	400	400		
25	G11/2A	20	55	60.0	26.0	22	50	55	46	549	GE25SR11/2EDOMD	315	315	315		
30	G11/4A	25	50	57.0	23.5	20	50	50	50	418	GE30SREDOMD	420	400	400	250	
30	G1A	20	40	55.0	23.5	18	50	46	50	344	GE30SR1EDOMD	420	400	400		
30	G11/2A	25	55	62.0	26.5	22	53	55	50	530	GE30SR11/2EDOMD	315	315	315		
38	G11/2A	32	55	64.0	26.0	22	57	55	60	563	GE38SREDOMD	420	315	315	200	
38	G11/4A	25	50	62.0	26.0	20	57	55	60	575	GE38SR11/4EDOMD	420	315	315		

¹⁾ Pressure shown = item deliverable

⁴⁾ S = heavy series

PN (bar) = PN (MPa)
10

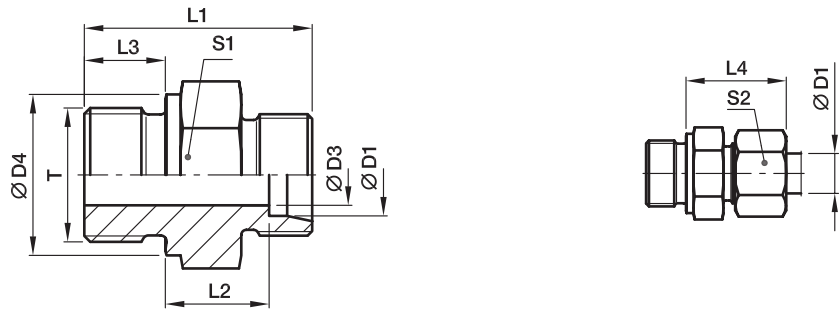
Delivery without nut and ring. Information on ordering complete fittings or alternative sealing materials see page 17.

*Please add the **suffixes** below according to the material/surface required.

Order code suffixes			
Material	Suffix surface and material	Example	Standard sealing material (no additional suffix needed)
Steel, zinc plated, chrome ⁶⁾ -free	CF	GE16SREDOMDCF	NBR
Stahl, zinc yellow plated	A3C	GE16SREDOMDA3C	NBR
Stainless Steel	71	GE16SREDOMD71	VIT
Brass	MS	GE16SREDOMDMS	NBR

GE-R Male stud connector

Male BSPP thread – metal sealing edge (ISO 1179) / EO 24° cone end



Series	D1	T	D3	D4	L1	L2	L3	L4	S1	S2	Weight g/1 piece	Order code*	PN (bar) ¹⁾			
													CF	A3C	71	MS
L ³⁾	06	G1/8A	4	14	23.5	8.5	8	23.0	14	14	14	GE06LR	315	315	315	200
	06	G1/4A	4	18	29.0	10.0	12	25.0	19	14	60	GE06LR1/4	315	315	315	200
	06	G3/8A	4	22	30.5	11.5	12	26.0	22	14	45	GE06LR3/8	315	315	315	200
	06	G1/2A	4	26	33.0	12.0	14	27.0	27	14	60	GE06LR1/2	315	315	315	200
	08	G1/4A	6	18	29.0	10.0	12	25.0	19	17	26	GE08LR	315	315	315	200
	08	G1/8A	4	14	24.5	8.5	8	23.0	14	17	16	GE08LR1/8	315	315	315	200
	08	G3/8A	6	22	30.5	11.5	12	26.0	22	17	44	GE08LR3/8	315	315	315	200
	08	G1/2A	6	26	33.0	12.0	14	27.0	27	17	74	GE08LR1/2	315	315	315	200
	10	G1/4A	6	18	30.0	11.0	12	26.0	19	19	31	GE10LR	315	315	315	200
	10	G1/8A	4	14	25.5	10.5	8	25.0	17	19	21	GE10LR1/8	315	315	315	200
	10	G3/8A	8	22	31.5	12.5	12	27.0	22	19	44	GE10LR3/8	315	315	315	200
	10	G1/2A	8	26	34.0	13.0	14	28.0	27	19	72	GE10LR1/2	315	315	315	200
12	G3/8A	9	22	31.5	12.5	12	27.0	22	22	43	GE12LR	315	315	315	200	
12	G1/8A	4	14	26.5	11.5	8	26.0	19	22	27	GE12LR1/8	315	315	315	200	
12	G1/4A	6	18	31.0	12.0	12	27.0	19	22	32	GE12LR1/4	315	315	315	200	
12	G1/2A	10	26	34.0	13.0	14	28.0	27	22	67	GE12LR1/2	315	315	315	200	
12	G3/4A	10	32	37.0	14.0	16	29.0	32	22	120	GE12LR3/4	315	315	315	200	
15	G1/2A	11	26	35.0	14.0	14	29.0	27	27	72	GE15LR	250	250	250	160	
15	G3/8A	9	22	32.5	13.5	12	29.0	24	27	56	GE15LR3/8	250	250	250	160	
15	G3/4A	12	32	38.0	15.0	16	30.0	32	27	118	GE15LR3/4	250	250	250	160	
18	G1/2A	14	26	36.0	14.5	14	31.0	27	32	72	GE18LR	250	250	250	160	
18	G3/8A	9	22	33.5	14.0	12	29.5	27	32	69	GE18LR3/8	250	250	250	160	
18	G3/4A	15	32	38.0	14.5	16	30.0	32	32	112	GE18LR3/4	250	250	250	160	
22	G3/4A	18	32	40.0	16.5	16	33.0	32	36	103	GE22LR	160	160	160	100	
22	G1/2A	14	26	38.0	16.5	14	33.0	32	36	91	GE22LR1/2	160	160	160	100	
22	G1A	19	39	43.0	17.5	18	33.5	41	36	184	GE22LR1	160	160	160	100	
28	G1A	23	39	43.0	17.5	18	34.0	41	41	168	GE28LR	160	160	160	100	
28	G1/2A	14	26	39.0	17.5	14	34.0	41	41	141	GE28LR1/2	160	160	160	100	
28	G3/4A	18	32	41.0	17.5	16	34.0	41	41	156	GE28LR3/4	160	160	160	100	
28	G11/4A	24	50	46.0	18.3	20	35.0	50	41	314	GE28LR11/4	160	160	160	100	
35	G11/4A	30	49	48.0	17.5	20	39.0	50	50	276	GE35LR	160	160	160	100	
35	G1/2A	14	26	42.0	17.5	14	39.0	46	50	194	GE35LR1/2	160	160	160	100	
35	G3/4A	18	32	44.0	17.5	16	39.0	46	50	202	GE35LR3/4	160	160	160	100	
35	G1A	23	39	46.0	17.5	18	39.0	46	50	234	GE35LR1	160	160	160	100	
35	G11/2A	30	55	52.0	19.5	22	41.0	55	50	355	GE35LR11/2	160	160	160	100	
42	G11/2A	36	55	52.0	19.0	22	42.0	55	60	349	GE42LR	160	160	160	100	
42	G1A	23	39	48.0	19.0	18	42.0	55	60	327	GE42LR1	160	160	160	100	
42	G11/4A	30	49	50.0	19.0	20	42.0	55	60	336	GE42LR11/4	160	160	160	100	

¹⁾ Pressure shown = item deliverable

³⁾ L = light series

$$\frac{\text{PN (bar)}}{10} = \text{PN (MPa)}$$

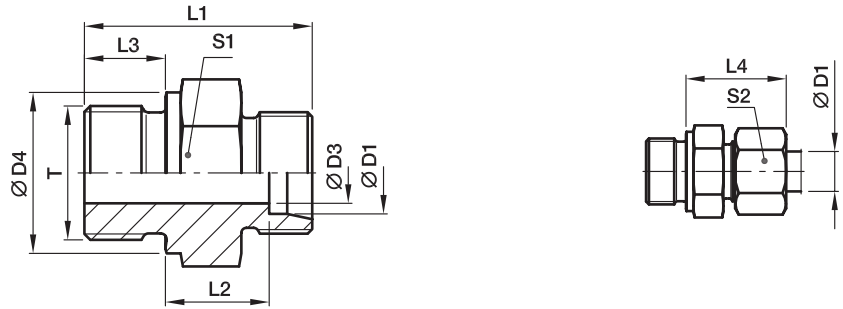
Delivery without nut and ring. Information on ordering complete fittings see page I7.

*Please add the **suffixes** below according to the material/surface required.

Order code suffixes		
Material	Suffix surface and material	Example
Steel, zinc plated, chrome ⁶ -free	CFX	GE18LRRCFX
Steel, zinc yellow plated	A3CX	GE18LRA3CX
Stainless Steel	71X	GE18LR71X
Brass	MSX	GE18LRMSX

GE-R Male stud connector

Male BSPP thread – metal sealing edge (ISO 1179) / EO 24° cone end



Series	D1	T	D3	D4	L1	L2	L3	L4	S1	S2	Weight g/1 piece	Order code*	PN (bar) ¹⁾			
													CF	A3C	71	MS
S ⁴⁾	06	G1/4A	4	18	32.0	13.0	12	28	19	17	35	GE06SR	400	400	400	250
	06	G1/8A	3	14	27.5	12.5	8	27	14	17	22	GE06SR1/8	400	400	400	
	06	G3/8A	4	22	34.5	15.5	12	30	22	17	57	GE06SR3/8	400	400	400	
	06	G1/2A	4	26	39.0	18.0	14	33	27	17	83	GE06SR1/2	400	400	400	250
	08	G1/4A	5	18	34.0	15.0	12	30	19	19	41	GE08SR	400	400	400	
	08	G3/8A	5	22	34.5	15.5	12	30	22	19	59	GE08SR3/8	400	400	400	250
	08	G1/2A	5	26	39.0	18.0	14	33	27	19	100	GE08SR1/2	400	400	400	
	10	G3/8A	7	22	34.5	15.0	12	31	22	22	56	GE10SR	400	400	400	
	10	G1/4A	5	18	34.0	14.5	12	31	19	22	43	GE10SR1/4	400	400	400	250
	10	G1/2A	7	26	39.0	17.5	14	34	27	22	97	GE10SR1/2	400	400	400	
	12	G3/8A	8	22	36.5	17.0	12	33	22	24	62	GE12SR	400	400	400	250
	12	G1/4A	5	18	36.0	16.5	12	33	22	24	57	GE12SR1/4	400	400	400	
	12	G1/2A	8	26	39.0	17.5	14	34	27	24	57	GE12SR1/2	400	400	400	
	14	G1/2A	10	26	41.0	19.0	14	37	27	27	96	GE14SR	400	400	400	250
	14	G3/8A	8	22	38.5	18.5	12	36	24	27	74	GE14SR3/8	400	400	400	
	16	G1/2A	12	26	41.0	18.5	14	37	27	30	92	GE16SR	400	400	400	250
	16	G3/8A	8	22	38.5	18.0	12	36	27	30	83	GE16SR3/8	400	400	400	
	16	G3/4A	12	32	45.0	20.5	16	39	32	30	157	GE16SR3/4	400	400	400	
	20	G3/4A	16	32	47.0	20.5	16	42	32	36	151	GE20SR	400	400	400	250
	20	G1/2A	12	26	45.0	20.5	14	42	32	36	142	GE20SR1/2	400	400	400	
	20	G1A	16	39	51.0	22.5	18	44	41	36	273	GE20SR1	250	250	250	160
	20	G11/4A	16	49	53.0	22.5	20	44	50	36	387	GE20SR11/4	160	160	160	
	25	G1A	20	39	53.0	23.0	18	47	41	46	267	GE25SR	250	250	250	
	25	G3/4A	16	32	51.0	23.0	16	47	41	46	245	GE25SR3/4	250	250	250	
25	G11/4A	20	49	55.0	23.0	20	47	50	46	422	GE25SR11/4	160	160	160		
30	G11/4A	25	49	57.0	23.5	20	50	50	50	422	GE30SR	160	160	160	100	
30	G1A	20	39	55.0	23.5	18	50	46	50	337	GE30SR1	160	160	160		
38	G11/2A	32	55	64.0	26.0	22	57	55	60	560	GE38SR	160	160	160	100	
38	G11/4A	25	49	62.0	26.0	20	57	55	60	578	GE38SR11/4	160	160	160		

1) Pressure shown = item deliverable

4) S = heavy series

$$\frac{PN \text{ (bar)}}{10} = PN \text{ (MPa)}$$

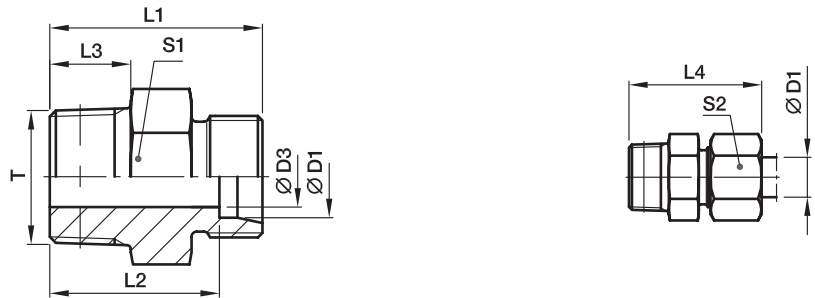
Delivery without nut and ring. Information on ordering complete fittings see page I7.

*Please add the **suffixes** below according to the material/surface required.

Order code suffixes		
Material	Suffix surface and material	Example
Steel, zinc plated, chrome ⁶ -free	CFX	GE16SRCFX
Steel, zinc yellow plated	A3CX	GE16SRA3CX
Stainless Steel	71X	GE16SR71X
Brass	MSX	GE16SRMSX

GE-R(KEG) Male stud connector

Male short BSP taper thread (DIN 3852-2, type C) / EO 24° cone end



Series	D1	T	D3	L1	L2	L3	L4	S1	S2	Weight g/1 piece	Order code*	PN (bar) ¹⁾			
												CF	A3C	71	MS
LL ²⁾	04	R1/8tap.	3.0	20	16.0	8	26	11	10	8	GE04LLR	100	100	100	63
	06	R1/8tap.	4.5	20	14.5	8	26	11	12	8	GE06LLR	100	100	100	63
	08	R1/8tap.	6.0	22	16.5	8	28	12	14	10	GE08LLR	100	100	100	63
	08	R1/4tap.	6.0	26	20.5	12	32	14	14	18	GE08LLR1/4	100	100	100	63
	10	R1/4tap.	8.0	26	20.5	12	32	14	17	15	GE10LLR	100	100		63
	12	R1/4tap.	8.0	26	20.0	12	32	17	19	18	GE12LLR	100	100		63
	12	R3/8tap.	10.0	26	20.0	12	32	17	19	23	GE12LLR3/8	100	100		63
	L ³⁾	06	R1/8tap.	4.0	22	15.0	8	30	12	14	11	GE06LR1/8KEG	315	315	315
06		R1/4tap.	4.0	27	20.0	12	35	17	14	24	GE06LR1/4KEG	315	315	315	200
08		R1/8tap.	4.0	23	16.0	8	31	17	17	15	GE08LR1/8KEG	315	315	315	200
08		R1/4tap.	6.0	27	20.0	12	35	17	17	22	GE08LR1/4KEG	315	315	315	
10		R1/4tap.	7.0	28	21.0	12	36	17	19	24	GE10LR1/4KEG	315	315	315	
12		R1/4tap.	7.0	29	22.0	12	37	19	22	53	GE12LR1/4KEG	315	315	315	200
12		R3/8tap.	9.0	29	22.0	12	37	19	22	33	GE12LR3/8KEG	315	315	315	
12		R1/2tap.	10.0	31	24.0	14	39	24	22	53	GE12LR1/2KEG	315	315	315	
15		R3/8tap.	9.0	30	23.0	12	38	24	27	49	GE15LR3/8KEG	315	315	315	200
15		R1/2tap.	11.0	32	25.0	14	40	24	27	59	GE15LR1/2KEG	315	315	315	
18		R1/2tap.	14.0	33	25.5	14	42	27	32	64	GE18LR1/2KEG	315	315	315	
22		R3/4tap.	17.0	37	29.5	16	46	32	36	99	GE22LR3/4KEG	160	160	160	
28		R1tap.	23.0	40	32.5	18	49	41	41	154	GE28LR1KEG	160	160	160	
35		R1 1/4tap.	30.0	45	34.5	20	56	46	50	238	GE35LR11/4KEG	160	160	160	
42		R1 1/2tap.	36.0	49	38.0	22	61	55	60	335	GE42LR11/2KEG	160	160	160	

¹⁾ Pressure shown = item deliverable

²⁾ LL = very light series; ³⁾ L = light series

$$\frac{\text{PN (bar)}}{10} = \text{PN (MPa)}$$

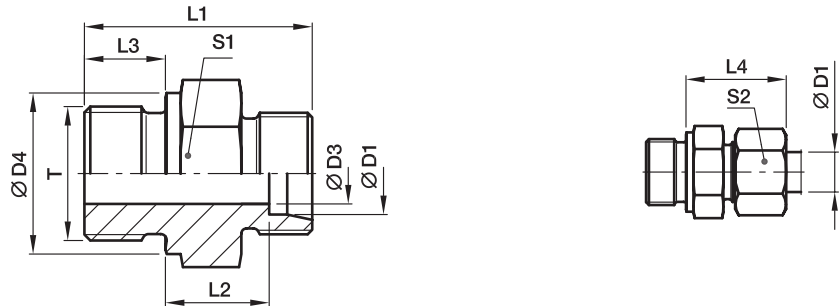
Delivery without nut and ring. Information on ordering complete fittings see page 17.

*Please add the **suffixes** below according to the material/surface required.

Order code suffixes		
Material	Suffix surface and material	Example
Steel, zinc plated, chrome ⁶ -free	CFX	GE06LR1/4KEGCFX
Steel, zinc yellow plated	A3CX	GE06LR1/4KEGA3CX
Stainless Steel	71X	GE06LR1/4KEG71X
Brass	MSX	GE06LR1/4KEGMSX

GE-M Male stud connector

Male metric thread – metal sealing edge (ISO 9974) / EO 24° cone end



Series	D1	T	D3	D4	L1	L2	L3	L4	S1	S2	Weight g/1 piece	Order code*	PN (bar) ¹⁾			
													CF	A3C	71	MS
L ³⁾	06	M10×1	4	14	23.5	8.5	8	23	14	14	13	GE06LM	315	315	315	200
	08	M12×1.5	6	17	29.0	10.0	12	25	17	17	22	GE08LM	315	315	315	200
	10	M14×1.5	7	19	30.0	11.0	12	26	19	19	31	GE10LM	315	315	315	200
	10	M10×1	4	14	25.5	10.5	8	25	17	19	20	GE10LM10X1	315	315	315	
	10	M12×1.5	6	17	30.0	11.0	12	26	17	19	25	GE10LM12X1.5	315	315	315	
	10	M16×1.5	8	21	31.5	12.0	12	27	22	19	41	GE10LM16X1.5	315	315	315	
	10	M18×1.5	8	23	31.5	12.5	12	27	24	19	50	GE10LM18X1.5	315	315	315	
	10	M22×1.5	8	27	35.0	14.0	14	29	27	19	72	GE10LM22X1.5	315	315	315	
	12	M14×1.5	7	19	30.0	11.0	12	26	19	22	30	GE12LM14X1.5	315	315	315	
	12	M16×1.5	9	21	31.5	12.5	12	27	22	22	40	GE12LMA3C	315	315	315	
	12	M18×1.5	10	23	31.5	12.5	12	27	24	22	47	GE12LM18X1.5	315	315	315	
	12	M22×1.5	10	27	35.0	14.0	14	29	27	22	76	GE12LM22X1.5	315	315	315	
	15	M16×1.5	9	21	32.0	13.0	12	28	24	27	50	GE15LM16X1.5	250	250	250	
	15	M18×1.5	11	23	32.5	13.5	12	29	24	27	52	GE15LM	250	250	250	160
	15	M22×1.5	12	27	36.0	15.0	14	30	27	27	77	GE15LM22X1.5	250	250	250	
	18	M18×1.5	11	23	33.5	14.0	12	30	27	32	68	GE18LM18X1.5	250	250	250	
	18	M22×1.5	14	27	36.0	14.5	14	31	27	32	77	GE18LM	250	250	250	160
	22	M22×1.5	14	27	38.0	16.5	14	33	32	36	92	GE22LM22X1.5	160	160	160	
	22	M26×1.5	18	31	40.0	16.5	16	33	32	36	102	GE22LM	160	160	160	100
	28	M33×2	23	39	43.0	17.5	18	34	41	41	168	GE28LM	160	160	160	100
35	M42×2	30	49	48.0	17.5	20	39	50	50	280	GE35LM	160	160	160	100	
42	M48×2	36	55	52.0	19.0	22	42	55	60	354	GE42LM	160	160	160	100	
S ⁴⁾	06	M12×1.5	4	17	32.0	13.0	12	28	17	17	30	GE06SM	400	400	400	250
	06	M14×1.5	4	19	34.0	15.0	12	30	19	17	42	GE06SM14X1.5	400	400	400	
	08	M14×1.5	5	19	34.0	15.0	12	30	19	19	43	GE08SM	400	400	400	250
	10	M16×1.5	7	21	34.5	15.0	12	31	22	22	54	GE10SM	400	400	400	250
	12	M18×1.5	8	23	36.5	17.0	12	33	24	24	72	GE12SM	400	400	400	250
	12	M14×1.5	5	19	36.0	16.5	12	33	22	24	60	GE12SM14X1.5	400	400	400	
	12	M22×1.5	8	27	39.0	17.5	14	34	27	24	103	GE12SM22X1.5	400	400	400	
	14	M20×1.5	10	25	41.0	19.0	14	37	27	27	95	GE14SM	400	400	400	250
	16	M18×1.5	8	23	38.5	18.0	12	36	27	30	88	GE16SM18X1.5	400	400	400	
	16	M22×1.5	12	27	41.0	18.5	14	37	27	30	97	GE16SM	400	400	400	250
	20	M27×2	16	32	47.0	20.5	16	42	32	36	155	GE20SM	400	400	400	250
	25	M33×2	20	39	53.0	23.0	18	47	41	46	268	GE25SM	250	250	250	160
	30	M42×2	25	49	57.0	23.5	20	50	50	50	421	GE30SM	160	160	160	100
	38	M48×2	32	55	64.0	26.0	22	57	55	60	568	GE38SM	160	160	160	100

¹⁾ Pressure shown = item deliverable

³⁾ L = light series; ⁴⁾ S = heavy series

$$\frac{PN \text{ (bar)}}{10} = PN \text{ (MPa)}$$

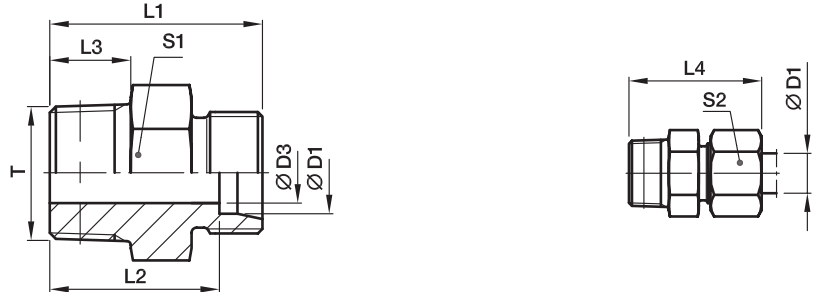
Delivery without nut and ring. Information on ordering complete fittings see page I7.

*Please add the **suffixes** below according to the material/surface required.

Order code suffixes		
Material	Suffix surface and material	Example
Steel, zinc plated, chrome ⁶ -free	CFX	GE16SMCFX
Steel, zinc yellow plated	A3CX	GE16SMA3CX
Stainless Steel	71X	GE16SM71X
Brass	MSX	GE16SMMSX

GE-M(KEG) Male stud connector

Male short metric taper thread (DIN 3852-1, type C) / EO 24° cone end



Series	D1	T	D3	L1	L2	L3	L4	S1	S2	Weight g/1 piece	Order code*	PN (bar) ¹⁾			
												CF	A3C	71	MS
LL ²⁾	04	M6×1tap.	2.0	20	16.0	8	26	9	10	5	GE04LLM6X1KEG	100	100		
	04	M8×1tap.	3.0	20	16.0	8	26	10	10	7	GE04LLM	100	100	100	63
	06	M10×1tap.	4.5	20	14.5	8	26	11	12	9	GE06LLM	100	100	100	63
	06	M8×1tap.	3.5	20	14.5	8	26	11	12	9	GE06LLM8X1KEG	100	100		
	08	M10×1tap.	6.0	22	16.5	8	28	12	14	10	GE08LLM	100	100	100	63

¹⁾ Pressure shown = item deliverable

²⁾ LL = very light series

$$\frac{\text{PN (bar)}}{10} = \text{PN (MPa)}$$

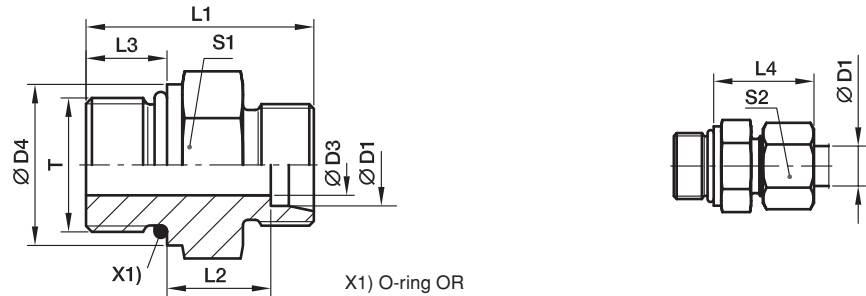
Delivery without nut and ring. Information on ordering complete fittings see page 17.

Order code suffixes		
Material	Suffix surface and material	Example
Steel, zinc plated, chrome ⁶ -free	CFX	GE06LLMCFX
Steel, zinc yellow plated	A3CX	GE06LLMA3CX
Stainless Steel	71X	GE06LLM71X
Brass	MSX	GE06LLMMSX

*Please add the **suffixes** below according to the material/surface required.

GE-UNF/UN Male stud connector

Male UNF/UN thread – O-ring (ISO 11926) / EO 24° cone end



Series	D1	T	D3	D4	L1	L2	L3	L4	S1	S2	Weight g/1 piece	Order code*	PN (bar) ¹⁾		
													CF	A3C	71
L ³⁾	08	7/16-20UNF-2A	5.0	14.4	26	10.0	9.0	25	17	17	21	GE08L7/16UNFOMD	315	315	315
	10	7/16-20UNF-2A	5.0	14.4	27	11.0	10.0	26	17	19	23	GE10L7/16UNFOMD	315	315	315
	12	9/16-18UNF-2A	7.0	17.6	28	11.0	10.0	26	19	22	32	GE12L9/16UNFOMD	315	315	315
	12	3/4-16UNF-2A	10.0	22.3	31	13.0	11.0	28	24	22	52	GE12L3/4UNFOMD	315	315	315
	12	7/8-14UNF-2A	10.0	25.5	34	14.3	12.7	29	27	22	77	GE12L7/8UNFOMD	315	315	315
	15	3/4-16UNF-2A	11.0	22.3	32	14.0	11.0	29	24	27	57	GE15L3/4UNFOMD	315	315	315
	15	7/8-14UNF-2A	12.0	25.5	35	15.3	12.7	30	27	27	81	GE15L7/8UNFOMD	315	315	315
	18	3/4-16UNF-2A	11.0	22.3	33	14.5	11.0	31	27	32	68	GE18L3/4UNFOMD	315	315	315
	18	7/8-14UNF-2A	14.0	25.5	35	14.8	12.7	31	27	32	72	GE18L7/8UNFOMD	315	315	315
	22	7/8-14UNF-2A	14.0	25.5	37	16.8	12.7	33	32	36	94	GE22L7/8UNFOMD	160	160	160
	22	11/16-12UN-2A	18.0	31.9	39	16.5	15.0	33	32	36	103	GE22L11/16UNOMD	160	160	160
	22	15/16-12UN-2A	19.0	38.2	40	17.5	15.0	34	41	36	163	GE22L15/16UNOMD	160	160	160
	28	11/16-12UN-2A	18.0	31.9	40	17.5	15.0	34	41	41	152	GE28L11/16UNOMD	160	160	160
	28	15/16-12UN-2A	23.0	38.2	40	17.5	15.0	34	41	41	163	GE28L15/16UNOMD	160	160	160
35	15/16-12UN-2A	23.0	38.2	43	17.5	15.0	39	46	50	222	GE35L15/16UNOMD	160	160	160	
35	15/8-12UN-2A	29.0	47.7	43	17.5	15.0	39	50	50	257	GE35L15/8UNOMD	160	160	160	
42	15/8-12UN-2A	29.0	47.7	45	19.0	15.0	42	55	60	339	GE42L15/8UNOMD	160	160	160	
S ⁴⁾	08	7/16-20UNF-2A	4.0	16.0	31	15.0	9.0	30	17	19	33	GE08S7/16UNFOMD	630	630	630
	10	9/16-18UNF-2A	6.0	17.6	32	14.5	10.0	31	19	22	42	GE10S9/16UNFOMD	630	630	630
	12	9/16-18UNF-2A	6.0	17.6	32	14.5	10.0	31	22	24	50	GE12S9/16UNFOMD	630	630	630
	12	3/4-16UNF-2A	8.0	22.3	36	17.5	11.0	34	24	24	73	GE12S3/4UNFOMD	630	630	630
	16	3/4-16UNF-2A	10.5	22.3	35	15.5	11.0	34	24	30	90	GE16S3/4UNFOMD	400	400	400
	16	7/8-14UNF-2A	12.0	25.5	40	18.8	12.7	37	27	30	95	GE16S7/8UNFOMD	400	400	400
	20	3/4-16UNF-2A	10.0	22.3	42	20.5	11.0	42	32	36	132	GE20S3/4UNFOMD	400	400	400
	20	7/8-14UNF-2A	12.0	25.5	44	20.8	12.7	42	32	36	141	GE20S7/8UNFOMD	400	400	400
	20	11/16-12UN-2A	16.0	31.9	46	20.5	15.0	42	32	36	163	GE20S11/16UNOMD	400	400	400
	25	11/16-12UN-2A	16.0	31.9	50	23.0	15.0	47	36	46	206	GE25S11/16UNOMD	400	400	400
	25	15/16-12UN-2A	20.0	38.2	50	23.0	15.0	47	41	46	258	GE25S15/16UNOMD	400	400	400
	30	15/16-12UN-2A	20.0	38.2	52	23.5	15.0	50	46	50	327	GE30S15/16UNOMD	400	400	400
	30	15/8-12UN-2A	24.0	47.7	52	23.5	15.0	50	50	50	422	GE30S15/8UNOMD	400	400	400
	38	15/8-12UN-2A	24.0	47.7	57	26.0	15.0	57	55	60	554	GE38S15/8UNOMD	315	315	315

¹⁾ Pressure shown = item deliverable

³⁾ L = light series; ⁴⁾ S = heavy series

$$\frac{\text{PN (bar)}}{10} = \text{PN (MPa)}$$

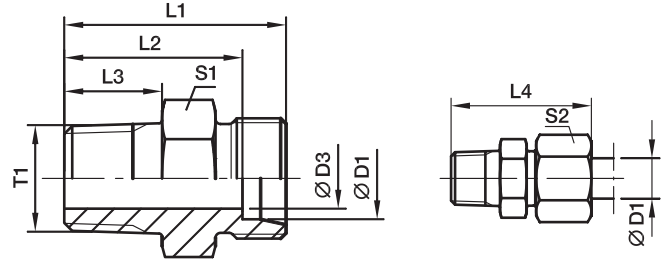
Delivery without nut and ring. Information on ordering complete fittings or alternative sealing materials see page 17.

*Please add the **suffixes** below according to the material/surface required.

Order code suffixes			
Material	Suffix surface and material	Example	Standard sealing material (no additional suffix needed)
Steel, zinc plated, chrome ⁶⁾ -free	CF	GE16S3/4UNFOMDCF	NBR
Steel, zinc yellow plated	A3C	GE16S3/4UNFOMDA3C	NBR
Stainless Steel	71	GE16S3/4UNFOMD71	VIT

GE-NPT Male stud connector

Male NPT thread (SAE J476) / EO 24° cone end



Series	D1	T1	D3	L1	L2	L3	L4	S1	S2	Weight g/1 piece	Order code*	PN (bar) ¹⁾			
												CF	A3C	71	MS
LL ²⁾	04	1/8-27 NPT	3.0	22.0	18.0	10.0	28	11	10	9	GE04LL1/8NPT	100	100	100	
	06	1/8-27 NPT	4.5	22.0	16.5	10.0	28	11	12	9	GE06LL1/8NPT	100	100	100	63
	08	1/8-27 NPT	5.0	24.0	18.5	10.0	30	12	14	11	GE08LL1/8NPT	100	100	100	63
L ³⁾	06	1/8-27 NPT	4.0	24.0	17.0	10.0	32	12	14	12	GE06L1/8NPT	315	315	315	200
	06	1/4-18 NPT	4.0	30.0	23.0	14.5	38	17	14	27	GE06L1/4NPT	315	315	315	200
	06	3/8-18 NPT	4.0	30.0	23.0	14.5	38	19	14	32	GE06L3/8NPT	315	315	315	
	06	1/2-14 NPT	4.0	36.0	29.0	19.5	44	22	14	53	GE06L1/2NPT	315	315	315	
	08	1/8-27 NPT	4.0	25.0	18.0	10.0	33	14	17	16	GE08L1/8NPT	315	315	315	
	08	1/4-18 NPT	6.0	30.0	23.0	14.5	38	17	17	25	GE08L1/4NPT	315	315	315	200
	08	3/8-18 NPT	6.0	30.0	23.0	14.5	38	19	17	34	GE08L3/8NPT	315	315	315	
	08	1/2-14 NPT	6.0	36.0	29.0	19.5	44	22	17	54	GE08L1/2NPT	315	315	315	
	10	1/8-27 NPT	4.0	25.0	18.0	10.0	33	17	19	19	GE10L1/8NPT	315	315	315	
	10	1/4-18 NPT	7.0	31.0	24.0	14.5	39	17	19	25	GE10L1/4NPT	315	315	315	200
	10	3/8-18 NPT	7.0	32.0	25.0	14.5	40	19	19	40	GE10L3/8NPT	315	315	315	
	10	1/2-14 NPT	8.0	37.0	30.0	19.5	45	22	19	54	GE10L1/2NPT	315	315	315	
	10	3/4-14 NPT	8.0	38.0	31.0	19.5	46	30	19	93	GE10L3/4NPT	315	315	315	
	12	1/8-27NPT	4.0	26.0	19.0	10.0	34	19	22	52	GE12L1/8NPT	315	315	315	
	12	1/4-18 NPT	7.0	32.0	25.0	14.5	40	19	22	31	GE12L1/4NPT	315	315	315	200
	12	3/8-18 NPT	8.0	32.0	25.0	14.5	40	19	22	37	GE12L3/8NPT	315	315	315	200
	12	1/2-14 NPT	10.0	37.0	30.0	19.5	45	22	22	62	GE12L1/2NPT	315	315	315	200
	15	3/8-18 NPT	8.0	33.0	26.0	14.5	41	24	27	53	GE15L3/8NPT	315	315	315	
	15	1/2-14 NPT	12.0	38.0	31.0	19.5	46	24	27	63	GE15L1/2NPT	315	315	315	200
	15	3/4-14 NPT	12.0	39.0	32.0	19.5	47	30	27	112	GE15L3/4NPT	315	315	315	
	15	1-11 1/2 NPT	12.0	45.0	38.0	24.5	53	36	27	158	GE15L1NPT	315	315	315	
	18	3/8-18 NPT	8.0	34.0	26.5	14.5	43	27	32	69	GE18L3/8NPT	315	315	315	
	18	1/2-14 NPT	12.0	39.0	31.5	19.5	48	27	32	79	GE18L1/2NPT	315	315	315	200
	18	3/4-14 NPT	15.0	39.0	31.5	19.5	48	30	32	104	GE18L3/4NPT	315	315	315	
	18	1-11 1/2 NPT	15.0	45.0	37.5	24.5	54	36	32	159	GE18L1NPT	315	315	315	
	22	3/8-18 NPT	8.0	36.5	29.0	14.5	45	32	36	91	GE22L3/8NPT	160	160	160	
	22	1/2-14 NPT	12.0	41.0	33.5	19.5	50	32	36	96	GE22L1/2NPT	160	160	160	
	22	3/4-14 NPT	16.0	41.0	33.5	19.5	50	32	36	108	GE22L3/4NPT	160	160	160	100
	22	1-11 1/2 NPT	19.0	47.0	39.5	24.5	56	36	36	174	GE22L1NPT	160	160	160	
	28	3/4-14 NPT	16.0	42.0	34.5	19.5	51	41	41	157	GE28L3/4NPT	160	160	160	
	28	1-11 1/2 NPT	21.0	47.0	39.5	24.5	56	41	41	197	GE28L1NPT	160	160	160	100
	28	11/4-1 11/2 NPT	24.0	49.0	41.5	25.0	58	46	41	266	GE28L11/4NPT	160	160	160	
	35	1-11 1/2NPT	22.0	50.0	39.5	24.5	61	46	50	280	GE35L1NPT	160	160	160	
	35	11/4-11 1/2 NPT	28.0	51.0	40.5	25.0	62	46	50	285	GE35L11/4NPT	160	160	160	
	42	11/4- 11 1/2 NPT	28.0	53.0	42.0	25.0	65	55	60	382	GE42L11/4NPT	160	160	160	
	42	11/2-11 1/2 NPT	36.0	53.0	42.0	26.0	65	55	60	377	GE42L11/2NPT	160	160	160	

¹⁾ Pressure shown = item deliverable

²⁾ LL = very light series; ³⁾ L = light series

$$\frac{\text{PN (bar)}}{10} = \text{PN (MPa)}$$

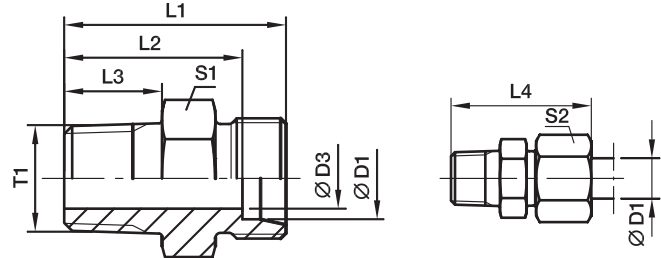
Delivery without nut and ring. Information on ordering complete fittings see page 17.

*Please add the **suffixes** below according to the material/surface required.

Order code suffixes		
Material	Suffix surface and material	Example
Steel, zinc plated, chrome ⁶ -free	CFX	GE18L1/2NPTCFX
Steel, zinc yellow plated	A3CX	GE18L1/2NPTA3CX
Stainless Steel	71X	GE18L1/2NPT71X
Brass	MSX	GE18L1/2NPTMSX

GE-NPT Male stud connector

Male NPT thread (SAE J476) / EO 24° cone end



Series	D1	T1	D3	L1	L2	L3	L4	S1	S2	Weight g/1 piece	Order code*	PN (bar) ¹⁾			
												CF	A3C	71	MS
S ⁴⁾	06	1/8-27 NPT	4	28	21.0	10.0	36	14	17	21	GE06S1/8NPT	630	630	630	
	06	1/4-18 NPT	4	35	28.0	14.5	43	17	17	37	GE06S1/4NPT	630	630	630	400
	06	3/8-18 NPT	4	33	26.0	14.5	41	19	17	40	GE06S3/8NPT	630	630	630	
	06	1/2-14 NPT	4	42	35.0	19.5	50	22	17	71	GE06S1/2NPT	630	630	630	
	08	1/4-18 NPT	5	35	28.0	14.5	43	17	19	38	GE08S1/4NPT	630	630	630	400
	08	3/8-18 NPT	5	35	28.0	14.5	43	19	19	46	GE08S3/8NPT	630	630	630	
	08	1/2-14 NPT	5	42	35.0	19.5	50	22	19	73	GE08S1/2NPT	630	630	630	400
	10	1/4-18 NPT	5	35	27.5	14.5	44	19	22	45	GE10S1/4NPT	630	630	630	
	10	3/8-18 NPT	7	35	27.5	14.5	44	19	22	49	GE10S3/8NPT	630	630	630	400
	10	1/2-14 NPT	7	42	34.5	19.5	51	22	22	73	GE10S1/2NPT	630	630	630	400
	10	3/4-14 NPT	7	44	36.5	19.5	53	30	22	125	GE10S3/4NPT	630	630	630	
	12	1/4-18 NPT	5	37	29.5	14.5	46	22	24	57	GE12S1/4NPT	630	630	630	
	12	3/8-18 NPT	8	37	29.5	14.5	46	22	24	62	GE12S3/8NPT	630	630	630	400
	12	1/2-14 NPT	8	42	34.5	19.5	51	22	24	83	GE12S1/2NPT	630	630	630	400
	12	3/4-14 NPT	8	44	36.5	19.5	53	30	24	126	GE12S3/4NPT	630	630	630	
	14	3/8-18 NPT	8	39	31.0	14.5	49	24	27	77	GE14S3/8NPT	630	630	630	
	14	1/2-14 NPT	10	44	36.0	19.5	54	24	27	89	GE14S1/2NPT	630	630	630	400
	14	3/4-14 NPT	10	46	38.0	19.5	56	30	27	130	GE14S3/4NPT	630	630	630	
	14	1-11 1/2 NPT	10	51	43.0	24.5	61	36	27	180	GE14S1NPT	630	630	630	
	16	3/8-18 NPT	8	39	30.5	14.5	49	27	30	84	GE16S3/8NPT	400	400	400	
16	1/2-14 NPT	12	48	39.5	19.5	58	32	30	97	GE16S1/2NPT	400	400	400	250	
16	3/4-14 NPT	12	46	37.5	19.5	56	30	30	130	GE16S3/4NPT	400	400	400		
16	1-11 1/2 NPT	12	51	42.5	24.5	61	36	30	178	GE16S1NPT	400	400	400		
20	1/2-14 NPT	12	48	37.5	19.5	59	32	36	144	GE20S1/2NPT	400	400	400		
20	3/4-14 NPT	16	48	37.5	19.5	59	32	36	149	GE20S3/4NPT	400	400	400	250	
20	1-11 1/2 NPT	16	55	44.5	24.5	66	36	36	243	GE20S1NPT	400	400	400		
25	3/4-14 NPT	16	52	40.0	19.5	64	41	46	240	GE25S3/4NPT	400	400	400		
25	1-11 1/2 NPT	20	57	45.0	24.5	69	41	46	278	GE25S1NPT	400	400	400		
25	11/4-11 1/2 NPT	20	58	46.0	25.0	70	46	46	396	GE25S11/4NPT	400	400	400		
25	11/2-11 1/2 NPT	20	61	49.0	26.0	73	50	46	469	GE25S11/2NPT	400	400	400		
30	3/4-14 NPT	16	54	40.5	19.5	67	46	50	307	GE30S3/4NPT	400	400	400		
30	1-11 1/2 NPT	20	59	45.5	24.5	72	46	50	343	GE30S1NPT	400	400	400		
30	11/4-11 1/2 NPT	25	60	46.5	25.0	73	46	50	397	GE30S11/4NPT	400	400	400		
30	11/2-11 1/2 NPT	25	60	46.5	26.0	73	50	50	440	GE30S11/2NPT	400	400	400		
38	1-11 1/2 NPT	22	64	48.0	24.5	79	55	60	510	GE38S1NPT	315	315	315		
38	11/4-11 1/2 NPT	25	65	49.0	25.0	80	55	60	535	GE38S11/4NPT	315	315	315		
38	11/2-11 1/2 NPT	32	65	49.0	26.0	80	55	60	571	GE38S11/2NPT	315	315	315		

¹⁾ Pressure shown = item deliverable

⁴⁾ S = heavy series

$$\frac{\text{PN (bar)}}{10} = \text{PN (MPa)}$$

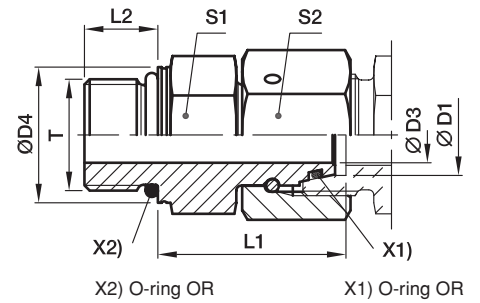
Delivery without nut and ring. Information on ordering complete fittings see page I7.

*Please add the **suffixes** below according to the material/surface required.

Order code suffixes		
Material	Suffix surface and material	Example
Steel, zinc plated, chrome ⁶ -free	CFX	GE16S1/2NPTCFX
Steel, zinc yellow plated	A3CX	GE16S1/2NPTA3CX
Stainless Steel	71X	GE16S1/2NPT71X
Brass	MSX	GE16S1/2NPTMSX

EGEO Swivel connector

Male metric thread – O-ring (ISO 6149) / EO 24° DKO swivel



Series	D1 	T	D3	D4	L1	L2	S1	S2	Weight g/1 piece	Order code*	PN (bar) ¹⁾	
											CF	A3C
L ³⁾	06	M 10×1	2.5	13.8	24.5	8.5	14	14	29	EGEO06LM	500	315
	08	M 12×1.5	4.0	16.8	26.5	11.0	17	17	43	EGEO08LM	500	315
	10	M 14×1.5	6.0	18.8	27.5	11.0	19	19	57	EGEO10LM	500	315
	12	M 16×1.5	8.0	21.8	30.5	11.5	22	22	85	EGEO12LM	400	315
	15	M 18×1.5	10.0	23.8	31.5	12.5	24	27	115	EGEO15LM	400	315
	18	M 22×1.5	13.0	26.8	31.5	13.0	27	32	152	EGEO18LM	400	315
	22	M 27×2	17.0	31.8	32.5	16.0	32	36	207	EGEO22LM27X2	250	160
	28	M 33×2	22.0	40.8	35.0	16.0	41	41	294	EGEO28LM	250	160
	35	M 42×2	28.0	49.8	42.5	16.0	50	50	516	EGEO35LM	250	160
	42	M 48×2	34.0	54.8	46.5	17.5	55	60	718	EGEO42LM	250	160
S ⁴⁾	06	M 12×1.5	2.5	16.8	27.0	11.0	17	17	49	EGEO06SM	800	630
	08	M 14×1.5	4.0	18.8	29.5	11.0	19	19	69	EGEO08SM	800	630
	10	M 16×1.5	6.0	21.8	32.0	12.5	22	22	96	EGEO10SM	800	630
	12	M 18×1.5	8.0	23.8	34.0	14.0	24	24	116	EGEO12SM	630	630
	16	M 22×1.5	11.0	26.8	37.0	15.0	27	30	179	EGEO16SM	630	400
	20	M 27×2	14.0	31.8	43.0	18.5	32	36	280	EGEO20SM	420	400
	25	M 33×2	18.0	40.8	48.0	18.5	41	46	502	EGEO25SM	420	400
	30	M 42×2	23.0	49.8	51.0	19.0	50	50	697	EGEO30SM	420	400
	38	M 48×2	30.0	54.8	60.0	21.5	55	60	965	EGEO38SM	420	315

¹⁾ Pressure shown = item deliverable

³⁾ L = light series; ⁴⁾ S = heavy series

$$\frac{\text{PN (bar)}}{10} = \text{PN (MPa)}$$

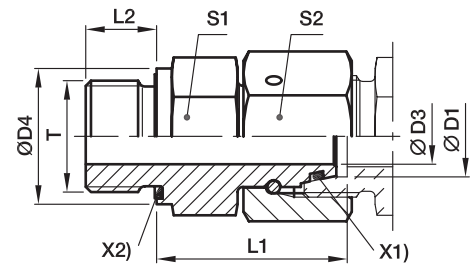
Information on ordering alternative sealing materials see page 17.

*Please add the **suffixes** below according to the material/surface required.

Order code suffixes			
Material	Suffix surface and material	Example	Standard sealing material (no additional suffix needed)
Steel, zinc plated, chrome ⁶⁾ -free	CF	EGEO16SMCF	NBR
Steel, zinc yellow plated	A3C	EGEO16SMA3C	NBR

EGE-M-ED Swivel connector

Male metric thread – ED-seal (ISO 9974) / EO 24° DKO swivel



X2) Eolastic-sealing ED X1) O-ring OR

Series	D1 	T	D3	D4	L1	L2	S1	S2	Weight g/1 piece	Order code*	PN (bar) ¹⁾		
											CF	A3C	71
L ³⁾	06	M 10 × 1	2.5	14	24.5	8	14	14	27	EGE06LMED	500	315	315
	08	M 12 × 1.5	4.0	17	26.5	12	17	17	45	EGE08LMED	500	315	315
	10	M 14 × 1.5	6.0	19	27.5	12	19	19	57	EGE10LMED	500	315	315
	12	M 16 × 1.5	8.0	22	30.5	12	22	22	82	EGE12LMED	400	315	315
	12	M 22 × 1.5	8.0	27	27.0	14	27	22	92	EGE12LM22X1.5ED	400	315	315
	15	M 18 × 1.5	10.0	24	31.5	12	24	27	113	EGE15LMED	400	315	315
	15	M 22 × 1.5	10.0	27	32.0	14	27	27	142	EGE15LM22X1.5ED	400	315	315
	18	M 22 × 1.5	13.0	27	31.5	14	27	32	148	EGE18LMED	400	315	315
	22	M 26 × 1.5	17.0	32	32.5	16	32	36	203	EGE22LMED	250	160	160
	28	M 33 × 2	22.0	40	35.0	18	41	41	289	EGE28LMED	250	160	160
S ⁴⁾	35	M 42 × 2	28.0	50	42.5	20	50	50	511	EGE35LMED	250	160	160
	42	M 48 × 2	34.0	55	46.5	22	55	60	711	EGE42LMED	250	160	160
	06	M 12 × 1.5	2.5	17	27.0	12	17	17	47	EGE06SMED	800	630	630
	08	M 14 × 1.5	4.0	19	29.5	12	19	19	65	EGE08SMED	800	630	630
	10	M 16 × 1.5	6.0	22	32.0	12	22	22	91	EGE10SMED	800	630	630
	12	M 18 × 1.5	8.0	24	34.0	12	24	24	112	EGE12SMED	630	630	630
	14	M 20 × 1.5	9.0	26	36.5	14	27	27	153	EGE14SMED	630	630	630
	16	M 22 × 1.5	11.0	27	37.0	14	27	30	174	EGE16SMED	630	400	400
	20	M 27 × 2	14.0	32	43.0	16	32	36	274	EGE20SMED	420	400	400
	25	M 33 × 2	18.0	40	48.0	18	41	46	497	EGE25SMED	420	400	400
30	M 42 × 2	23.0	50	51.0	20	50	50	691	EGE30SMED	420	400	400	
38	M 48 × 2	30.0	55	60.0	22	55	60	957	EGE38SMED	420	315	315	

¹⁾ Pressure shown = item deliverable

³⁾ L = light series; ⁴⁾ S = heavy series

$$\frac{\text{PN (bar)}}{10} = \text{PN (MPa)}$$

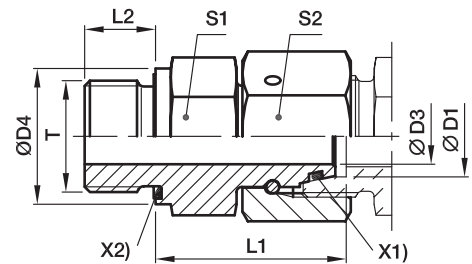
Information on ordering alternative sealing materials see page 17.

*Please add the **suffixes** below according to the material/surface required.

Order code suffixes			
Material	Suffix surface and material	Example	Standard sealing material (no additional suffix needed)
Steel, zinc plated, chrome ⁶⁾ -free	CF	EGE16SMEDCF	NBR
Steel, zinc yellow plated	A3C	EGE16SMEDA3C	NBR
Stainless Steel	71	EGE16SMED71	VIT

EGE-R-ED Swivel connector

Male BSPP thread – ED-seal (ISO 1179) / EO 24° DKO swivel



X2) Eolastic-sealing ED X1) O-ring OR

Series	D1 	T	D3	D4	L1	L2	S1	S2	Weight g/1 piece	Order code*	PN (bar) ¹⁾		
											CF	A3C	71
L ³⁾	06	G 1/8 A	2.5	14	24.5	8	14	14	27	EGE06LRED	500	315	315
	08	G 1/4 A	4.0	19	29.5	12	19	17	28	EGE08LRED	500	315	315
	10	G 1/4 A	6.0	19	27.5	12	19	19	54	EGE10LRED	500	315	315
	10	G 3/8 A	6.0	22	29.0	12	22	19	70	EGE10LR3/8ED	400	315	
	12	G 3/8 A	8.0	22	34.0	12	22	22	95	EGE12LRED	400	315	315
	12	G 1/4 A	6.0	19	27.5	12	19	22	65	EGE12LR1/4ED	400	315	
	12	G 1/2 A	8.0	27	29.5	14	27	22	114	EGE12LR1/2ED	400	315	
	15	G 1/2 A	10.0	27	32.0	14	27	27	137	EGE15LRED	400	315	315
	18	G 1/2 A	13.0	27	31.5	14	27	32	143	EGE18LRED	400	315	315
	18	G 3/4 A	13.0	32	29.5	16	32	32	182	EGE18LR3/4ED	250	160	
	22	G 3/4 A	17.0	32	32.5	16	32	36	200	EGE22LRED	250	160	160
	28	G 1 A	22.0	40	35.0	18	41	41	289	EGE28LRED	250	160	160
	35	G 1 1/4 A	28.0	50	42.5	20	50	50	500	EGE35LRED	250	160	160
	42	G 1 1/2 A	34.0	55	46.5	22	55	60	718	EGE42LRED	250	160	160
S ⁴⁾	06	G 1/4 A	2.5	19	27.0	12	19	17	53	EGE06SRED	800	630	630
	08	G 1/4 A	4.0	19	29.5	12	19	19	64	EGE08SRED	800	630	630
	10	G 3/8 A	6.0	22	32.0	12	22	22	93	EGE10SRED	800	630	630
	12	G 3/8 A	8.0	22	34.0	12	22	24	100	EGE12SRED	630	630	630
	12	G 1/4 A	5.0	19	31.5	12	19	24	140	EGE12SR1/4ED	630	630	
	12	G 1/2 A	8.0	27	35.0	14	27	24	140	EGE12SR1/2ED	630	630	630
	14	G 1/2 A	9.0	27	36.5	14	27	27	157	EGE14SRED	630	630	630
	16	G 1/2 A	11.0	27	37.0	14	27	30	170	EGE16SRED	630	400	400
	20	G 3/4 A	14.0	32	43.0	16	32	36	273	EGE20SRED	420	400	400
	25	G 1 A	18.0	40	48.0	18	41	46	493	EGE25SRED	420	400	400
	30	G 1 1/4 A	23.0	50	51.0	20	50	50	691	EGE30SRED	420	400	
	38	G 1 1/2 A	30.0	55	60.0	22	55	60	934	EGE38SRED	420	315	315

¹⁾ Pressure shown = item deliverable

³⁾ L = light series; ⁴⁾ S = heavy series

$$\frac{\text{PN (bar)}}{10} = \text{PN (MPa)}$$

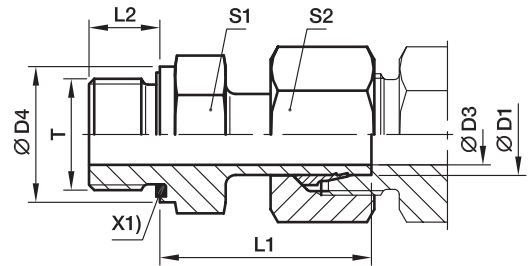
Information on ordering alternative sealing materials see page 17.

Order code suffixes			
Material	Suffix surface and material	Example	Standard sealing material (no additional suffix needed)
Steel, zinc plated, chrome ⁶⁾ -free	CF	EGE16SREDCF	NBR
Steel, zinc yellow plated	A3C	EGE16SREDA3C	NBR
Stainless Steel	71	EGE16SRED71	VIT

*Please add the **suffixes** below according to the material/surface required.

EVGE-M-ED Standpipe connector

Male metric thread – ED (ISO 9974) / EO standpipe adjustable



Pre-assembled nut and ring.
Final assembly (in appropriate body) at least 1/4 turn beyond the point of clearly perceptible resistance.

X1) Eolastic-sealing ED

Series	D1 	T	D3	D4	L1	L2	S1	S2	Weight g/1 piece	Order code*	PN (bar) ¹⁾		
											CF	A3C	71
L ³⁾	06	M 10×1	3.5	14	24.5	8	14	14	24	EVGE06LMED	315	315	315
	08	M 12×1.5	5.5	17	26.5	12	17	17	38	EVGE08LMED	315	315	315
	10	M 14×1.5	7.0	19	27.5	12	19	19	49	EVGE10LMED	315	315	315
	12	M 16×1.5	9.0	22	30.0	12	22	22	67	EVGE12LMED	315	315	315
	15	M 18×1.5	11.0	24	30.5	12	24	27	95	EVGE15LMED	315	315	315
	18	M 22×1.5	14.0	27	31.5	14	27	32	137	EVGE18LMED	315	315	315
	22	M 26×1.5	18.0	32	32.5	16	32	36	183	EVGE22LMED	160	160	160
	28	M 33×2	23.0	40	35.0	18	41	41	264	EVGE28LMED	160	160	160
	35	M 42×2	29.5	50	42.5	20	50	50	444	EVGE35LMED	160	160	160
	42	M 48×2	35.5	55	46.5	22	55	60	614	EVGE42LMED	160	160	160
S ⁴⁾	06	M 12×1.5	3.5	17	27.0	12	17	17	43	EVGE06SMED	630	630	630
	08	M 14×1.5	4.5	19	29.5	12	19	19	59	EVGE08SMED	630	630	630
	10	M 16×1.5	6.5	22	32.0	12	22	22	82	EVGE10SMED	630	630	630
	12	M 18×1.5	7.5	24	34.0	12	24	24	104	EVGE12SMED	630	630	630
	14	M 20×1.5	9.5	26	36.5	14	27	27	144	EVGE14SMED	630	630	630
	16	M 22×1.5	11.5	27	37.0	14	27	30	162	EVGE16SMED	400	400	400
	20	M 27×2	15.5	32	43.0	16	32	36	254	EVGE20SMED	400	400	400
	25	M 33×2	18.0	40	48.0	18	41	46	493	EVGE25SMED	400	400	400
	30	M 42×2	23.5	50	51.0	20	50	50	654	EVGE30SMED	400	400	400
	38	M 48×2	29.0	55	60.0	22	55	60	962	EVGE38SMED	315	315	315

¹⁾ Pressure shown = item deliverable

³⁾ L = light series; ⁴⁾ S = heavy series

$$\frac{\text{PN (bar)}}{10} = \text{PN (MPa)}$$

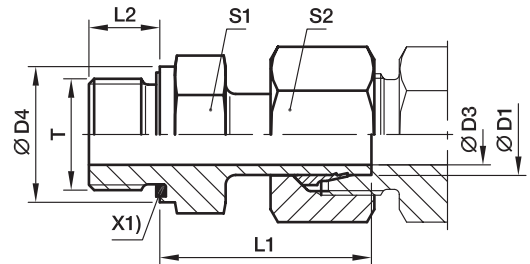
Information on ordering alternative sealing materials see page 17.

*Please add the **suffixes** below according to the material/surface required.

Order code suffixes			
Material	Suffix surface and material	Example	Standard sealing material (no additional suffix needed)
Steel, zinc plated, chrome ⁶⁾ -free	CF	EGE16SMEDCF	NBR
Steel, zinc yellow plated	A3C	EGE16SMEDA3C	NBR
Stainless Steel	71	EGE16SMED71	VIT

EVGE-R-ED Standpipe connector

Male BSPP thread – ED-seal (ISO 1179) / EO standpipe adjustable



Pre-assembled nut and ring.
Final assembly (in appropriate body) at least 1/4 turn beyond the point of clearly perceptible resistance.

X1) Eolastic-sealing ED

Series	D1 	T	D3	D4	L1	L2	S1	S2	Weight g/1 piece	Order code*	PN (bar) ¹⁾			
											CF	A3C	71	MS
L ³⁾	06	G 1/8 A	3.5	14	24.5	8	14	14	24	EVGE06LRED	315	315	315	200
	08	G 1/4 A	4.5	19	29.5	12	19	17	52	EVGE08LRED	315	315	315	200
	10	G 1/4 A	7.0	19	27.5	12	19	19	47	EVGE10LRED	315	315	315	200
	12	G 3/8 A	7.5	22	34.0	12	22	22	87	EVGE12LRED	315	315	315	200
	12	G 1/4 A	7.0	19	28.5	12	19	22	61	EVGE12LR1/4ED	315	315		
	12	G 1/2 A	7.5	27	34.5	14	27	22	121	EVGE12LR1/2ED	315	315	315	
	15	G 1/2 A	11.0	27	31.0	14	27	27	114	EVGE15LRED	315	315	315	200
	18	G 1/2 A	14.0	27	31.5	14	27	32	132	EVGE18LRED	315	315	315	200
	22	G 3/4 A	18.0	32	32.5	16	32	36	183	EVGE22LRED	160	160	160	100
	28	G 1 A	23.0	40	35.0	18	41	41	262	EVGE28LRED	160	160	160	
	35	G 1 1/4 A	29.5	50	42.5	20	50	50	436	EVGE35LRED	160	160	160	
	42	G 1 1/2 A	35.5	55	46.5	22	55	60	615	EVGE42LRED	160	160	160	
S ⁴⁾	06	G 1/4 A	3.5	19	27.0	12	19	17	48	EVGE06SRED	630	630	630	
	08	G 1/4 A	4.5	19	29.5	12	19	19	57	EVGE08SRED	630	630	630	
	10	G 3/8 A	6.5	22	32.0	12	22	22	84	EVGE10SRED	630	630	630	
	12	G 3/8 A	7.5	22	34.0	12	22	24	95	EVGE12SRED	630	630	630	
	12	G 1/2 A	7.5	27	34.5	14	27	24	130	EVGE12SR1/2ED	630	630	630	
	14	G 1/2 A	9.5	27	36.5	14	27	27	149	EVGE14SRED	630	630	630	
	16	G 1/2 A	11.5	27	37.0	14	27	30	158	EVGE16SRED	400	400	400	
	16	G 3/4 A	11.5	32	39.0	16	32	30	222	EVGE16SR3/4ED	400	400		
	20	G 3/4 A	15.5	32	43.0	16	32	36	254	EVGE20SRED	400	400	400	
	25	G 1 A	18.0	40	48.0	18	41	46	485	EVGE25SRED	400	400	400	
	30	G 1 1/4 A	23.5	50	51.0	20	50	50	661	EVGE30SRED	400	400	400	
	38	G 1 1/2 A	29.0	55	60.0	22	55	60	962	EVGE38SRED	315	315	315	

¹⁾ Pressure shown = item deliverable

³⁾ L = light series; ⁴⁾ S = heavy series

$\frac{PN \text{ (bar)}}{10} = PN \text{ (MPa)}$

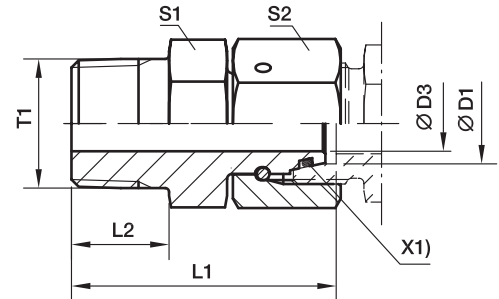
Information on ordering alternative sealing materials see page 17.

*Please add the **suffixes** below according to the material/surface required.

Order code suffixes			
Material	Suffix surface and material	Example	Standard sealing material (no additional suffix needed)
Steel, zinc plated, chrome ⁶ -free	CF	EVGE16SREDCF	NBR
Steel, zinc yellow plated	A3C	EVGE16SREDA3C	NBR
Stainless Steel	71	EVGE16SRED71	VIT
Brass	MS	EVGE16SREDMS	NBR

EGE-NPT Swivel connector

Male NPT thread (SAE J476) / EO 24° DKO swivel



X1) O-ring OR

Series	D1 	T1	D3	L1	L2	S1	S2	Weight g/1 piece	Order code*	PN (bar) ¹⁾	
										CF	A3C
L ³⁾	06	1/8-27NPT	2.5	31.5	10.0	11	14	23	EGE06L1/8NPT	315	315
	08	1/4-18NPT	4.0	37.5	14.5	14	17	41	EGE08L1/4NPT	315	315
	10	1/4-18NPT	6.0	38.0	14.5	14	19	44	EGE10L1/4NPT	315	315
	12	3/8-18NPT	8.0	40.0	14.5	19	22	69	EGE12L3/8NPT	315	315
	15	1/2-14NPT	10.0	49.5	19.5	22	27	127	EGE15L1/2NPT	315	315
	18	1/2-14NPT	12.0	49.0	19.5	24	32	142	EGE18L1/2NPT	315	315
	22	3/4-14NPT	16.0	52.0	19.5	27	36	200	EGE22L3/4NPT	160	160
	28	1-11 1/2NPT	22.0	61.0	24.5	36	41	306	EGE28L1NPT	160	160
	35	1 1/4-11 1/2NPT	28.0	65.5	25.0	46	50	486	EGE35L11/4NPT	160	160
	42	1 1/2-11 1/2NPT	34.0	68.5	26.0	50	60	662	EGE42L11/2NPT	160	160
S ⁴⁾	06	1/4-18NPT	2.5	37.5	14.5	14	17	42	EGE06S1/4NPT	630	630
	08	1/4-18NPT	4.0	38.0	14.5	14	19	47	EGE08S1/4NPT	630	630
	10	3/8-18NPT	6.0	40.5	14.5	19	22	75	EGE10S3/8NPT	630	630
	12	3/8-18NPT	8.0	42.0	14.5	19	24	81	EGE12S3/8NPT	630	630
	14	1/2-14NPT	9.0	50.5	19.5	22	27	131	EGE14S1/2NPT	630	630
	16	1/2-14NPT	11.0	51.0	19.5	22	30	145	EGE16S1/2NPT	400	400
	20	3/4-14NPT	14.0	54.0	19.5	27	36	221	EGE20S3/4NPT	400	400
	25	1-11 1/2NPT	18.0	63.5	24.5	36	46	422	EGE25S1NPT	400	400
	30	1 1/4-11 1/2NPT	23.0	70.5	25.0	46	50	628	EGE30S11/4NPT	400	400
	38	1 1/2-11 1/2NPT	30.0	73.5	26.0	50	60	770	EGE38S11/2NPT	315	315

¹⁾ Pressure shown = item deliverable

³⁾ L = light series; ⁴⁾ S = heavy series

$$\frac{\text{PN (bar)}}{10} = \text{PN (MPa)}$$

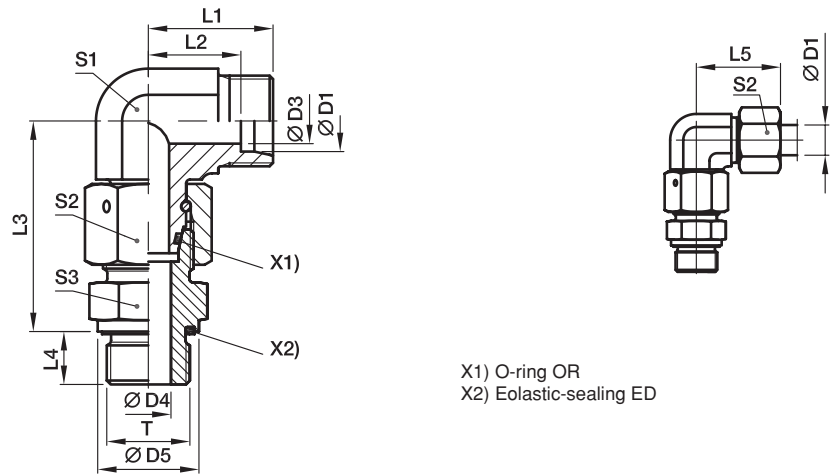
Information on ordering alternative sealing materials see page 17.

*Please add the **suffixes** below according to the material/surface required.

Order code suffixes			
Material	Suffix surface and material	Example	Standard sealing material (no additional suffix needed)
Steel, zinc plated, chrome ⁶⁻ -free	CF	EGE16S1/2NPTCF	NBR
Steel, zinc yellow plated	A3C	EGE16S1/2NPTA3C	NBR

EW-M-ED Assembled adjustable swivel elbow

EO 24° cone end / Male metric thread – ED-seal (ISO 9974)



X1) O-ring OR
X2) Eolastic-sealing ED

Series	D1	T	D3	D4	D5	L1	L2	L3	L4	L5	S1	S2	S3	Weight g/1 piece	Order code*	PN (bar) ¹⁾		
																CF	A3C	71
L ³⁾	06	M 10×1	4	4	14	19	12.0	34.5	8	27	12	14	14	47	EW06LMEDOMD	500	315	315
	08	M 12×1.5	6	6	17	21	14.0	37.5	12	29	12	17	17	69	EW08LMEDOMD	500	315	315
	10	M 14×1.5	8	7	19	22	15.0	40.0	12	30	14	19	19	87	EW10LMEDOMD	500	315	315
	12	M 16×1.5	10	9	22	24	17.0	42.0	12	32	17	22	22	111	EW12LMEDOMD	400	315	315
	15	M 18×1.5	12	11	24	28	21.0	46.0	12	36	19	27	24	179	EW15LMEDOMD	400	315	315
	18	M 22×1.5	15	14	27	31	23.5	50.0	14	40	24	32	27	272	EW18LMEDOMD	400	315	315
	22	M 26×1.5	19	18	32	35	27.5	55.0	16	44	27	36	32	360	EW22LMEDOMD	250	160	160
	28	M 33×2	24	23	40	38	30.5	59.0	18	47	36	41	41	538	EW28LMEDOMD	250	160	160
	35	M 42×2	30	30	50	45	34.5	68.5	20	56	41	50	50	843	EW35LMEDOMD	250	160	160
	42	M 48×2	36	36	55	51	40.0	75.0	22	63	50	60	55	1353	EW42LMEDOMD	250	160	160
S ⁴⁾	06	M 12×1.5	4	4	17	23	16.0	40.0	12	31	12	17	17	77	EW06SMEDOMD	800	630	630
	08	M 14×1.5	5	5	19	24	17.0	42.5	12	32	14	19	19	107	EW08SMEDOMD	800	630	630
	10	M 16×1.5	6	7	22	25	17.5	45.0	12	34	17	22	22	146	EW10SMEDOMD	800	630	630
	12	M 18×1.5	8	8	24	29	21.5	48.0	12	38	17	24	24	178	EW12SMEDOMD	630	630	630
	14	M 20×1.5	9	10	26	30	22.0	54.0	14	40	19	27	27	203	EW14SMEDOMD	630	630	630
	16	M 22×1.5	12	12	27	33	24.5	55.0	14	43	24	30	27	307	EW16SMEDOMD	630	400	400
	20	M 27×2	16	16	32	37	26.5	65.0	16	48	27	36	32	459	EW20SMEDOMD	420	400	400
	25	M 33×2	20	20	40	42	30.0	73.0	18	54	36	46	41	812	EW25SMEDOMD	420	400	400
	30	M 42×2	25	25	50	49	35.5	78.5	20	62	41	50	50	1167	EW30SMEDOMD	420	400	400
	38	M 48×2	32	32	55	57	41.0	89.0	22	72	50	60	55	1790	EW38SMEDOMD	420	315	315

¹⁾ Pressure shown = item deliverable

³⁾ L = light series; ⁴⁾ S = heavy series

$\frac{PN(\text{bar})}{10} = PN(\text{MPa})$

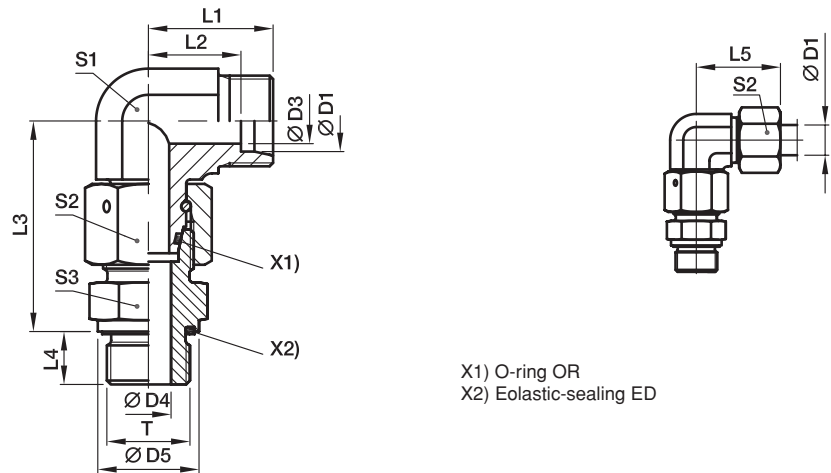
Delivery without nut and ring. Information on ordering complete fittings or alternative sealing materials see page 17.

*Please add the **suffixes** below according to the material/surface required.

Order code suffixes			
Material	Suffix surface and material	Example	Standard sealing material (no additional suffix needed)
Steel, zinc plated, chrome ⁶⁾ -free	CF	EW16SMEDOMDCF	NBR
Steel, zinc yellow plated	A3C	EW16SMEDOMDA3C	NBR
Stainless Steel	71	EW16SMEDOMD71	VIT

EW-R-ED Assembled adjustable swivel elbow

EO 24° cone end / Male BSPP thread – ED-seal (ISO 1179)



X1) O-ring OR
X2) Eolastic-sealing ED

Series	D1	T	D3	D4	D5	L1	L2	L3	L4	L5	S1	S2	S3	Weight g/1 piece	Order code*	PN (bar) ¹⁾		
																CF	A3C	71
L ³⁾	06	G 1/8 A	4	4	14	19	12.0	34.5	8	27	12	14	14	47	EW06LREDOMD	500	315	315
	08	G 1/4 A	6	6	19	21	14.0	37.5	12	29	12	17	19	69	EW08LREDOMD	500	315	315
	10	G 1/4 A	8	6	19	22	15.0	40.0	12	30	14	19	19	87	EW10LREDOMD	500	315	315
	12	G 3/8 A	10	9	22	24	17.0	42.0	12	32	17	22	22	122	EW12LREDOMD	400	315	315
	15	G 1/2 A	12	11	27	28	21.0	46.5	14	36	19	27	27	199	EW15LREDOMD	400	315	315
	18	G 1/2 A	15	14	27	31	23.5	50.0	14	40	24	32	27	268	EW18LREDOMD	400	315	315
	22	G 3/4 A	19	18	32	35	27.5	55.0	16	44	27	36	32	360	EW22LREDOMD	250	160	160
	28	G 1 A	24	23	40	38	30.5	59.0	18	47	36	41	41	539	EW28LREDOMD	250	160	160
	35	G 1 1/4 A	30	30	50	45	34.5	68.5	20	56	41	50	50	834	EW35LREDOMD	250	160	160
	42	G 1 1/2 A	36	36	55	51	40.0	75.0	22	63	50	60	55	1341	EW42LREDOMD	250	160	160
S ⁴⁾	06	G 1/4 A	4	4	19	23	16.0	40.0	12	31	12	17	19	83	EW06SREDOMD	800	630	630
	08	G 1/4 A	5	5	19	24	17.0	42.5	12	32	14	19	19	106	EW08SREDOMD	800	630	630
	10	G 3/8 A	6	7	22	25	17.5	45.0	12	34	17	22	22	148	EW10SREDOMD	800	630	630
	12	G 3/8 A	8	8	22	29	21.5	48.0	12	38	17	24	22	170	EW12SREDOMD	630	630	630
	14	G 1/2 A	9	10	27	30	22.0	54.0	14	40	19	27	27	242	EW14SREDOMD	630	630	630
	16	G 1/2 A	12	12	27	33	24.5	55.0	14	43	24	30	27	303	EW16SREDOMD	630	400	400
	20	G 3/4 A	16	16	32	37	26.5	65.0	16	48	27	36	32	458	EW20SREDOMD	420	400	400
	25	G 1 A	20	20	40	42	30.0	73.0	18	54	36	46	41	813	EW25SREDOMD	420	400	400
	30	G 1 1/4 A	25	25	50	49	35.5	78.5	20	62	41	50	50	1163	EW30SREDOMD	420	400	400
	38	G 1 1/2 A	32	32	55	57	41.0	89.0	22	72	50	60	55	1784	EW38SREDOMD	420	315	315

¹⁾ Pressure shown = item deliverable

³⁾ L = light series; ⁴⁾ S = heavy series

$\frac{PN(\text{bar})}{10} = PN(\text{MPa})$

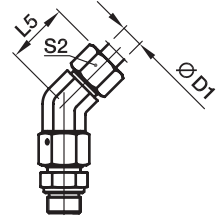
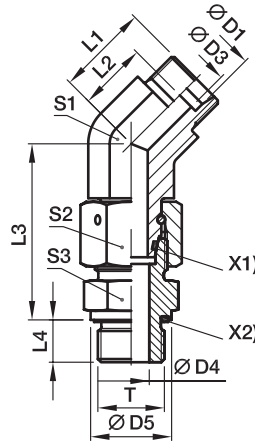
Delivery without nut and ring. Information on ordering complete fittings or alternative sealing materials see page 17.

Order code suffixes			
Material	Suffix surface and material	Example	Standard sealing material (no additional suffix needed)
Steel, zinc plated, chrome ⁶⁾ -free	CF	EW16SREDOMDCF	NBR
Steel, zinc yellow plated	A3C	EW16SREDOMDA3C	NBR
Stainless Steel	71	EW16SREDOMD71	VIT

*Please add the **suffixes** below according to the material/surface required.

EV-M-ED Assembled adjustable swivel 45° elbow

EO 24° cone end / Male metric thread – ED-seal (ISO 9974)


 X1) O-ring OR
 X2) Elastic-sealing ED

Series	D1	T	D3	D4	D5	L1	L2	L3	L4	L5	S1	S2	S3	Weight g/1 piece	Order code*	PN (bar) ¹⁾		
																CF	A3C	71
L ³⁾	06	M 10×1.0	4	4	14	16.0	9.0	34.5	8	24	14	14	14	44	EV06LMEDOMD	315	315	315
	08	M 12×1.5	6	6	17	19.0	12.0	37.5	12	27	14	17	17	62	EV08LMEDOMD	315	315	315
	10	M 14×1.5	8	7	19	19.0	12.0	40.0	12	27	19	19	19	80	EV10LMEDOMD	315	315	315
	12	M 16×1.5	10	9	22	21.0	14.0	42.0	12	29	19	22	22	110	EV12LMEDOMD	315	315	315
	15	M 18×1.5	12	11	24	24.0	17.0	46.0	12	32	22	27	24	171	EV15LMEDOMD	315	315	315
	18	M 22×1.5	15	14	27	24.0	16.5	50.0	14	33	27	32	27	245	EV18LMEDOMD	315	315	315
	22	M 26×1.5	19	18	32	26.0	18.5	55.0	16	35	30	36	32	339	EV22LMEDOMD	160	160	160
	28	M 33×2.0	24	23	40	30.5	23.0	59.0	18	40	36	41	41	517	EV28LMEDOMD	160	160	160
	35	M 42×2.0	30	30	50	37.0	26.5	68.5	20	48	50	50	50	810	EV35LMEDOMD	160	160	160
	42	M 48×2.0	36	36	55	37.0	26.0	75.0	22	49	50	60	55	1193	EV42LMEDOMD	160	160	160
S ⁴⁾	06	M 12×1.5	4	4	17	16.0	9.0	40.0	12	24	14	17	17	72	EV06SMEDOMD	630	630	630
	08	M 14×1.5	5	5	19	19.0	12.0	42.5	12	27	19	19	19	102	EV08SMEDOMD	630	630	630
	10	M 16×1.5	7	7	22	21.0	13.5	45.0	12	30	19	22	22	132	EV10SMEDOMD	630	630	630
	12	M 18×1.5	8	8	24	24.0	16.5	48.0	12	33	19	24	24	173	EV12SMEDOMD	630	630	630
	16	M 22×1.5	12	12	27	24.0	15.5	55.0	14	34	19	30	27	284	EV16SMEDOMD	400	400	400
	20	M 27×2.0	16	16	32	26.5	16.0	65.0	16	38	27	36	32	435	EV20SMEDOMD	400	400	400
	25	M 33×2.0	20	20	40	30.5	18.5	73.0	18	43	36	46	41	790	EV25SMEDOMD	400	400	400
	30	M 42×2.0	25	25	50	37.0	23.5	78.5	20	50	50	50	50	1132	EV30SMEDOMD	400	400	400
	38	M 48×2.0	32	32	55	37.0	21.0	89.0	22	52	50	60	55	1631	EV38SMEDOMD	315	315	315

¹⁾ Pressure shown = item deliverable

³⁾ L = light series; ⁴⁾ S = heavy series

$$\frac{\text{PN (bar)}}{10} = \text{PN (MPa)}$$

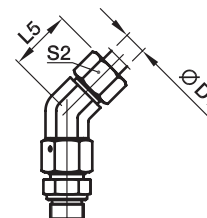
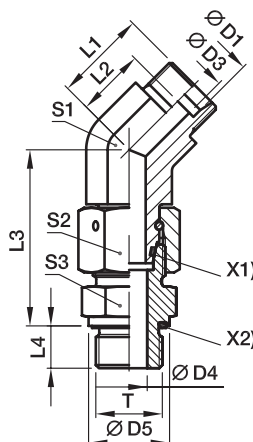
Delivery without nut and ring. Information on ordering complete fittings or alternative sealing materials see page I7.

 *Please add the **suffixes** below according to the material/surface required.

Order code suffixes			
Material	Suffix surface and material	Example	Standard sealing material (no additional suffix needed)
Steel, zinc plated, chrome ⁶⁾ -free	CF	EV16SMEDOMDCF	NBR
Steel, zinc yellow plated	A3C	EV16SMEDOMDA3C	NBR
Stainless Steel	71	EV16SMEDOMD71	VIT

EV-R-ED Assembled adjustable swivel 45° elbow

EO 24° cone end / Male BSPP thread – ED-seal (ISO 1179)



X1) O-ring OR
X2) Eolastic-sealing ED

Series	D1	T	D3	D4	D5	L1	L2	L3	L4	L5	S1	S2	S3	Weight g/1 piece	Order code*	PN (bar) ¹⁾		
																CF	A3C	71
L ³⁾	06	G 1/8 A	4	4	14	16.0	9.0	34.5	8	24	14	14	14	44	EV06LREDOMD	315	315	315
	08	G 1/4 A	6	6	19	19.0	12.0	37.5	12	27	14	17	19	67	EV08LREDOMD	315	315	315
	10	G 1/4 A	8	6	19	19.0	12.0	40.0	12	27	19	19	19	78	EV10LREDOMD	315	315	315
	12	G 3/8 A	10	9	22	21.0	14.0	42.0	12	29	19	22	22	112	EV12LREDOMD	315	315	315
	15	G 1/2 A	12	11	27	24.0	17.0	46.5	14	32	22	27	27	192	EV15LREDOMD	315	315	315
	18	G 1/2 A	15	14	27	24.0	16.5	50.0	14	33	27	32	27	242	EV18LREDOMD	315	315	315
	22	G 3/4 A	19	18	32	26.0	18.5	55.0	16	35	30	36	32	338	EV22LREDOMD	160	160	160
	28	G 1 A	24	23	40	30.5	23.0	59.0	18	40	36	41	41	518	EV28LREDOMD	160	160	160
	35	G 1 1/4 A	30	30	50	37.0	26.5	68.5	20	48	50	50	50	801	EV35LREDOMD	160	160	160
	42	G 1 1/2 A	36	36	55	37.0	26.0	75.0	22	49	50	60	55	1181	EV42LREDOMD	160	160	160
S ⁴⁾	06	G 1/4 A	4	4	19	16.0	9.0	40.0	12	24	14	17	19	78	EV06SREDOMD	630	630	630
	08	G 1/4 A	5	5	19	19.0	12.0	42.5	12	27	19	19	19	101	EV08SREDOMD	630	630	630
	10	G 3/8 A	7	7	22	21.0	13.5	45.0	12	30	19	22	22	134	EV10SREDOMD	630	630	630
	12	G 3/8 A	8	8	22	24.0	16.5	48.0	12	33	19	24	22	165	EV12SREDOMD	630	630	630
	16	G 1/2 A	12	12	27	24.0	15.5	55.0	14	34	19	30	27	280	EV16SREDOMD	400	400	400
	20	G 3/4 A	16	16	32	26.5	16.0	65.0	16	38	27	36	32	434	EV20SREDOMD	400	400	400
	25	G 1 A	20	20	40	30.5	18.5	73.0	18	43	36	46	41	792	EV25SREDOMD	400	400	400
	30	G 1 1/4 A	25	25	50	37.0	23.5	78.5	20	50	50	50	50	1128	EV30SREDOMD	400	400	400
	38	G 1 1/2 A	32	32	55	37.0	21.0	89.0	22	52	50	60	55	1625	EV38SREDOMD	315	315	315

¹⁾ Pressure shown = item deliverable

³⁾ L = light series; ⁴⁾ S = heavy series

$$\frac{\text{PN (bar)}}{10} = \text{PN (MPa)}$$

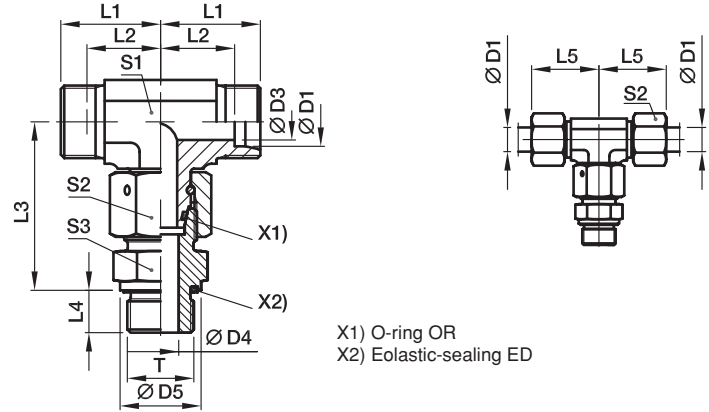
Delivery without nut and ring. Information on ordering complete fittings or alternative sealing materials see page I7.

*Please add the **suffixes** below according to the material/surface required.

Order code suffixes			
Material	Suffix surface and material	Example	Standard sealing material (no additional suffix needed)
Steel, zinc plated, chrome ⁶ -free	CF	EV16SREDOMDCF	NBR
Steel, zinc yellow plated	A3C	EV16SREDOMDA3C	NBR
Stainless Steel	71	EV16SREDOMD71	VIT

ET-M-ED Assembled adjustable swivel branch tee

EO 24° cone end / Male metric thread – ED-seal (ISO 9974)



Series	D1	T	D3	D4	D5	L1	L2	L3	L4	L5	S1	S2	S3	Weight g/1 piece	Order code*	PN (bar) ¹⁾		
																CF	A3C	71
L ³⁾	06	M 10×1	4	4	14	19	12.0	34.5	8	27	12	14	14	55	ET06LMEDOMD	500	315	315
	08	M 12×1.5	6	6	17	21	14.0	37.5	12	29	12	17	17	75	ET08LMEDOMD	500	315	315
	10	M 14×1.5	8	7	19	22	15.0	40.0	12	30	14	19	19	98	ET10LMEDOMD	500	315	315
	12	M 16×1.5	10	9	22	24	17.0	42.0	12	32	17	22	22	135	ET12LMEDOMD	400	315	315
	15	M 18×1.5	12	11	24	28	21.0	46.0	12	36	19	27	24	203	ET15LMEDOMD	400	315	315
	18	M 22×1.5	15	14	27	31	23.5	50.0	14	40	24	32	27	310	ET18LMEDOMD	400	315	315
	22	M 26×1.5	19	18	32	35	27.5	55.0	16	44	27	36	32	377	ET22LMEDOMD	250	160	160
	28	M 33×2	24	23	40	38	30.5	59.0	18	47	36	41	41	607	ET28LMEDOMD	250	160	160
	35	M 42×2	30	30	50	45	34.5	68.5	20	56	41	50	50	929	ET35LMEDOMD	250	160	160
	42	M 48×2	36	36	55	51	40.0	75.0	22	63	50	60	55	1478	ET42LMEDOMD	250	160	160
S ⁴⁾	06	M 12×1.5	4	4	17	23	16.0	40.0	12	31	12	17	17	92	ET06SMEDOMD	800	630	630
	08	M 14×1.5	5	5	19	24	17.0	42.5	12	32	14	19	19	126	ET08SMEDOMD	800	630	630
	10	M 16×1.5	6	7	22	25	17.5	45.0	12	34	17	22	22	167	ET10SMEDOMD	800	630	630
	12	M 18×1.5	8	8	24	29	21.5	48.0	12	38	17	24	24	207	ET12SMEDOMD	630	630	630
	14	M 20×1.5	9	10	26	30	22.0	54.0	14	40	19	27	27	287	ET14SMEDOMD	630	630	630
	16	M 22×1.5	12	12	27	33	24.5	55.0	14	43	24	30	27	352	ET16SMEDOMD	630	400	400
	20	M 27×2	16	16	32	37	26.5	65.0	16	48	27	36	32	498	ET20SMEDOMD	420	400	400
	25	M 33×2	20	20	40	42	30.0	73.0	18	54	36	46	41	916	ET25SMEDOMD	420	400	400
	30	M 42×2	25	25	50	49	35.5	78.5	20	62	41	50	50	1328	ET30SMEDOMD	420	400	400
	38	M 48×2	32	32	55	57	41.0	89.0	22	72	50	60	55	2031	ET38SMEDOMD	420	315	315

¹⁾ Pressure shown = item deliverable

³⁾ L = light series; ⁴⁾ S = heavy series

$\frac{PN(\text{bar})}{10} = PN(\text{MPa})$

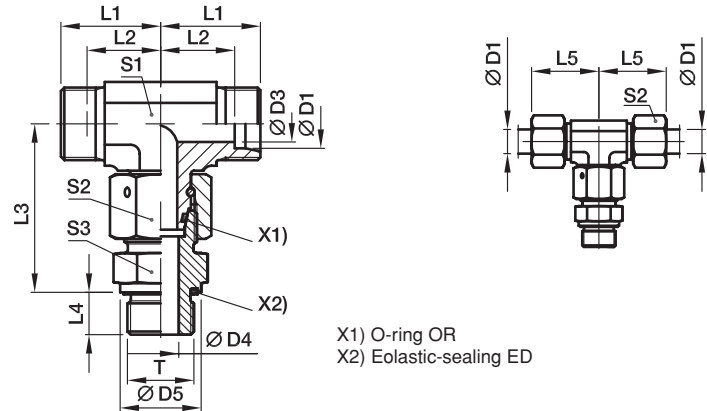
Delivery without nut and ring. Information on ordering complete fittings or alternative sealing materials see page 17.

*Please add the **suffixes** below according to the material/surface required.

Order code suffixes			
Material	Suffix surface and material	Example	Standard sealing material (no additional suffix needed)
Steel, zinc plated, chrome ⁶⁾ -free	CF	ET16SMEDOMDCF	NBR
Steel, zinc yellow plated	A3C	ET16SMEDOMDA3C	NBR
Stainless Steel	71	ET16SMEDOMD71	VIT

ET-R-ED Assembled adjustable swivel branch tee

EO 24° cone end / Male BSPP thread – ED-seal (ISO 1179)



Series	D1	T	D3	D4	D5	L1	L2	L3	L4	L5	S1	S2	S3	Weight g/1 piece	Order code*	PN (bar) ¹⁾		
																CF	A3C	71
L ³⁾	06	G 1/8 A	4	4	14	19	12.0	34.5	8	27	12	14	14	55	ET06LREDOMD	500	315	315
	08	G 1/4 A	6	6	19	21	14.0	37.5	12	29	12	17	19	80	ET08LREDOMD	500	315	315
	10	G 1/4 A	8	6	19	22	15.0	40.0	12	30	14	19	19	98	ET10LREDOMD	500	315	315
	12	G 3/8 A	10	9	22	24	17.0	42.0	12	32	17	22	22	136	ET12LREDOMD	400	315	315
	15	G 1/2 A	12	11	27	28	21.0	46.5	14	36	19	27	27	224	ET15LREDOMD	400	315	315
	18	G 1/2 A	15	14	27	31	23.5	50.0	14	40	24	32	27	306	ET18LREDOMD	400	315	315
	22	G 3/4 A	19	18	32	35	27.5	55.0	16	44	27	36	32	423	ET22LREDOMD	250	160	160
	28	G 1 A	24	23	40	38	30.5	59.0	18	47	36	41	41	608	ET28LREDOMD	250	160	160
	35	G 1 1/4 A	30	30	50	45	34.5	68.5	20	56	41	50	50	920	ET35LREDOMD	250	160	160
	42	G 1 1/2 A	36	36	55	51	40.0	75.0	22	63	50	60	55	1466	ET42LREDOMD	250	160	160
S ⁴⁾	06	G 1/4 A	4	4	19	23	16.0	40.0	12	31	12	17	19	98	ET06SREDOMD	800	630	630
	08	G 1/4 A	5	5	19	24	17.0	42.5	12	32	14	19	19	125	ET08SREDOMD	800	630	630
	10	G 3/8 A	6	7	22	25	17.5	45.0	12	34	17	22	22	169	ET10SREDOMD	800	630	630
	12	G 3/8 A	8	8	22	29	21.5	48.0	12	38	17	24	22	198	ET12SREDOMD	630	630	630
	14	G 1/2 A	9	10	27	30	22.0	54.0	14	40	19	27	27	287	ET14SREDOMD	630	630	630
	16	G 1/2 A	12	12	27	33	24.5	55.0	14	43	24	30	27	348	ET16SREDOMD	630	400	400
	20	G 3/4 A	16	16	32	37	26.5	65.0	16	48	27	36	32	498	ET20SREDOMD	420	400	400
	25	G 1 A	20	20	40	42	30.0	73.0	18	54	36	46	41	918	ET25SREDOMD	420	400	400
	30	G 1 1/4 A	25	25	50	49	35.5	78.5	20	62	41	50	50	1324	ET30SREDOMD	420	400	400
	38	G 1 1/2 A	32	32	55	57	41.0	89.0	22	72	50	60	55	2025	ET38SREDOMD	420	315	315

¹⁾ Pressure shown = item deliverable

³⁾ L = light series; ⁴⁾ S = heavy series

$$\frac{\text{PN (bar)}}{10} = \text{PN (MPa)}$$

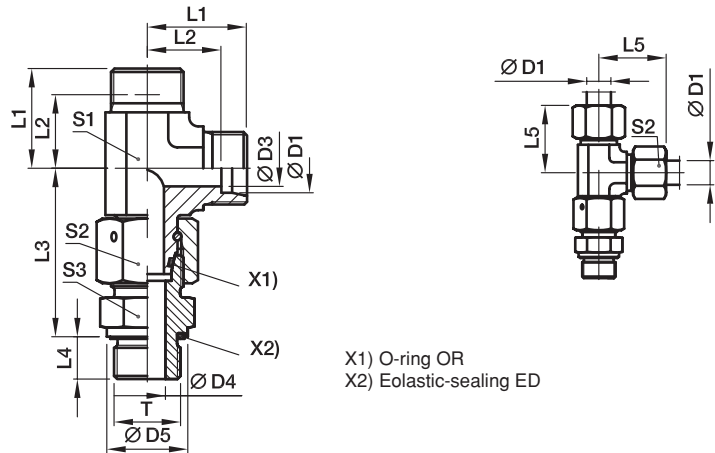
Delivery without nut and ring. Information on ordering complete fittings or alternative sealing materials see page 17.

*Please add the **suffixes** below according to the material/surface required.

Order code suffixes			
Material	Suffix surface and material	Example	Standard sealing material (no additional suffix needed)
Steel, zinc plated, chrome ⁶⁾ -free	CF	ET16SREDOMDCF	NBR
Steel, zinc yellow plated	A3C	ET16SREDOMDA3C	NBR
Stainless Steel	71	ET16SREDOMD71	VIT

EL-M-ED Assembled adjustable swivel run tee

EO 24° cone end / Male metric thread – ED-seal (ISO 9974)



X1) O-ring OR
X2) Eolastic-sealing ED

Series	D1	T	D3	D4	D5	L1	L2	L3	L4	L5	S1	S2	S3	Weight g/1 piece	Order code*	PN (bar) ¹⁾		
																CF	A3C	71
L ³⁾	06	M 10×1	4	4	14	19	12.0	34.5	8	27	12	14	14	55	EL06LMEDOMD	500	315	315
	08	M 12×1.5	6	6	17	21	14.0	37.5	12	29	12	17	17	75	EL08LMEDOMD	500	315	315
	10	M 14×1.5	8	7	19	22	15.0	40.0	12	30	14	19	19	97	EL10LMEDOMD	500	315	315
	12	M 16×1.5	10	9	22	24	17.0	42.0	12	32	17	22	22	135	EL12LMEDOMD	400	315	315
	15	M 18×1.5	12	11	24	28	21.0	46.0	12	36	19	27	24	201	EL15LMEDOMD	400	315	315
	18	M 22×1.5	15	14	27	31	23.5	50.0	14	40	24	32	27	308	EL18LMEDOMD	400	315	315
	22	M 26×1.5	19	18	32	35	27.5	55.0	16	44	27	36	32	404	EL22LMEDOMD	250	160	160
	28	M 33×2	24	23	40	38	30.5	59.0	18	47	36	41	41	605	EL28LMEDOMD	250	160	160
	35	M 42×2	30	30	50	45	34.5	68.5	20	56	41	50	50	947	EL35LMEDOMD	250	160	160
	42	M 48×2	36	36	55	51	40.0	75.0	22	63	50	60	55	1497	EL42LMEDOMD	250	160	160
S ⁴⁾	06	M 12×1.5	4	4	17	23	16.0	40.0	12	31	12	17	17	91	EL06SMEDOMD	800	630	630
	08	M 14×1.5	5	5	19	24	17.0	42.5	12	32	14	19	19	126	EL08SMEDOMD	800	630	630
	10	M 16×1.5	6	7	22	25	17.5	45.0	12	34	17	22	22	169	EL10SMEDOMD	800	630	630
	12	M 18×1.5	8	8	24	29	21.5	48.0	12	38	17	24	24	206	EL12SMEDOMD	630	630	630
	14	M 20×1.5	9	10	26	30	22.0	54.0	14	40	19	27	27	275	EL14SMEDOMD	630	630	630
	16	M 22×1.5	12	12	27	33	24.5	55.0	14	43	24	30	27	354	EL16SMEDOMD	630	400	400
	20	M 27×2	16	16	32	37	26.5	65.0	16	48	27	36	32	526	EL20SMEDOMD	420	400	400
	25	M 33×2	20	20	40	42	30.0	73.0	18	54	36	46	41	919	EL25SMEDOMD	420	400	400
	30	M 42×2	25	25	50	49	35.5	78.5	20	62	41	50	50	1328	EL30SMEDOMD	420	400	400
	38	M 48×2	32	32	55	57	41.0	89.0	22	72	50	60	55	2039	EL38SMEDOMD	420	315	315

¹⁾ Pressure shown = item deliverable

³⁾ L = light series; ⁴⁾ S = heavy series

$\frac{PN(\text{bar})}{10} = PN(\text{MPa})$

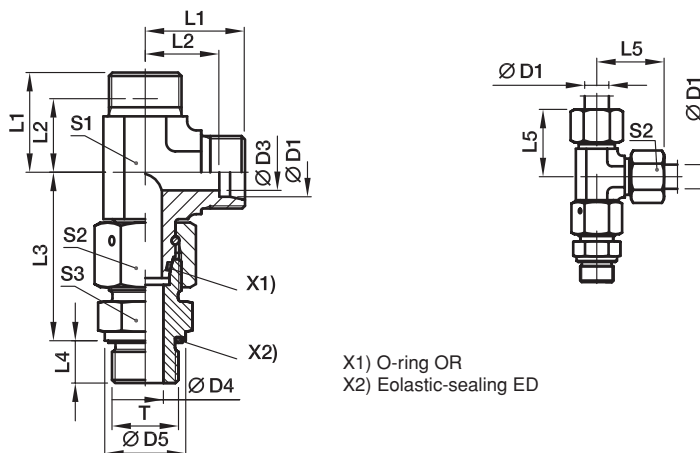
Delivery without nut and ring. Information on ordering complete fittings or alternative sealing materials see page 17.

*Please add the **suffixes** below according to the material/surface required.

Order code suffixes			
Material	Suffix surface and material	Example	Standard sealing material (no additional suffix needed)
Steel, zinc plated, chrome ⁶⁾ -free	CF	EL16SMEDOMDCF	NBR
Steel, zinc yellow plated	A3C	EL16SMEDOMDA3C	NBR
Stainless Steel	71	EL16SMEDOMD71	VIT

EL-R-ED Assembled adjustable swivel run tee

EO 24° cone end / Male BSPP thread – ED-seal (ISO 1179)



X1) O-ring OR
X2) Elastic-sealing ED

Series	D1	T	D3	D4	D5	L1	L2	L3	L4	L5	S1	S2	S3	Weight g/1 piece	Order code*	PN (bar) ¹⁾		
																CF	A3C	71
L ³⁾	06	G 1/8 A	4	4	14	19	12.0	34.5	8	27	12	14	14	55	EL06LREDOMD	500	315	315
	08	G 1/4 A	6	6	19	21	14.0	37.5	12	29	12	17	19	80	EL08LREDOMD	500	315	315
	10	G 1/4 A	8	6	19	22	15.0	40.0	12	30	14	19	19	97	EL10LREDOMD	500	315	315
	12	G 3/8 A	10	9	22	24	17.0	42.0	12	32	17	22	22	137	EL12LREDOMD	400	315	315
	15	G 1/2 A	12	11	27	28	21.0	46.5	14	36	19	27	27	222	EL15LREDOMD	400	315	315
	18	G 1/2 A	15	14	27	31	23.5	50.0	14	40	24	32	27	304	EL18LREDOMD	400	315	315
	22	G 3/4 A	19	18	32	35	27.5	55.0	16	44	27	36	32	404	EL22LREDOMD	250	160	160
	28	G 1 A	24	23	40	38	30.5	59.0	18	47	36	41	41	606	EL28LREDOMD	250	160	160
	35	G 1 1/4 A	30	30	50	45	34.5	68.5	20	56	41	50	50	938	EL35LREDOMD	250	160	160
	42	G 1 1/2 A	36	36	55	51	40.0	75.0	22	63	50	60	55	1485	EL42LREDOMD	250	160	160
S ⁴⁾	06	G 1/4 A	4	4	19	23	16.0	40.0	12	31	12	17	19	97	EL06SREDOMD	800	630	630
	08	G 1/4 A	5	5	19	24	17.0	42.5	12	32	14	19	19	125	EL08SREDOMD	800	630	630
	10	G 3/8 A	6	7	22	25	17.5	45.0	12	34	17	22	22	171	EL10SREDOMD	800	630	630
	12	G 3/8 A	8	8	22	29	21.5	48.0	12	38	17	24	22	198	EL12SREDOMD	630	630	630
	14	G 1/2 A	9	10	27	30	22.0	54.0	14	40	19	27	27	269	EL14SREDOMD	630	630	630
	16	G 1/2 A	12	12	27	33	24.5	55.0	14	43	24	30	27	350	EL16SREDOMD	630	400	400
	20	G 3/4 A	16	16	32	37	26.5	65.0	16	48	27	36	32	524	EL20SREDOMD	420	400	400
	25	G 1 A	20	20	40	42	30.0	73.0	18	54	36	46	41	921	EL25SREDOMD	420	400	400
	30	G 1 1/4 A	25	25	50	49	35.5	78.5	20	62	41	50	50	1324	EL30SREDOMD	420	400	400
	38	G 1 1/2 A	32	32	55	57	41.0	89.0	22	72	50	60	55	2033	EL38SREDOMD	420	315	315

¹⁾ Pressure shown = item deliverable

³⁾ L = light series; ⁴⁾ S = heavy series

$$\frac{\text{PN (bar)}}{10} = \text{PN (MPa)}$$

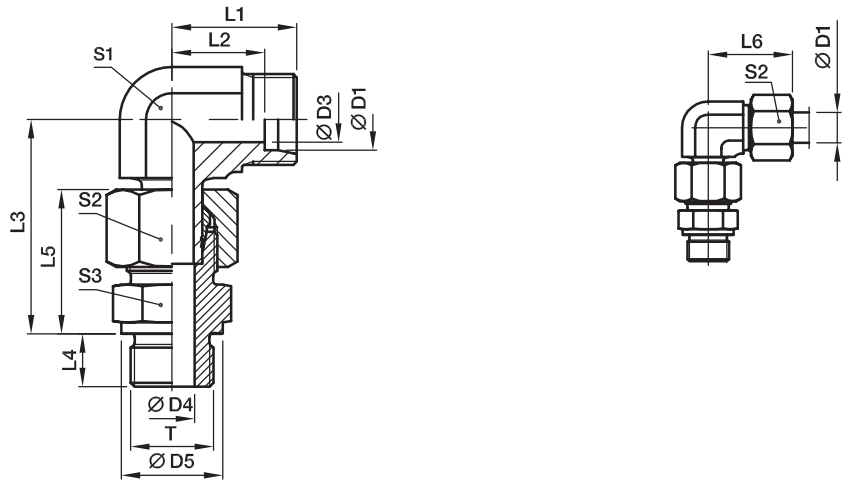
Delivery without nut and ring. Information on ordering complete fittings or alternative sealing materials see page 17.

*Please add the **suffixes** below according to the material/surface required.

Order code suffixes			
Material	Suffix surface and material	Example	Standard sealing material (no additional suffix needed)
Steel, zinc plated, chrome ⁶⁾ -free	CF	EL16SREDOMDCF	NBR
Steel, zinc yellow plated	A3C	EL16SREDOMDA3C	NBR
Stainless Steel	71	EL16SREDOMD71	VIT

EVW-M Assembled adjustable standpipe elbow

EO 24° cone end / Male metric thread – metal sealing edge (ISO 9974)



Pre-assembled, complete with straight male stud connector (with cutting face DIN 3852, type B). Final assembly (in appropriate body) at least 1/4 turn beyond the point of clearly perceptible resistance.

Series	D1	T	D3	D4	D5	L1	L2	L3	L4	L5	L6	S1	S2	S3	Weight g/1 piece	Order code*	PN (bar) ¹⁾		
																	CF	A3C	71
L ³⁾	06	M 10×1	4	4	14	19	12.0	34.5	8	23	27	12	14	14	41	EVW06LMOMD	315	315	315
	08	M 12×1.5	6	6	17	21	14.0	37.5	12	25	29	12	17	17	63	EVW08LMOMD	315	315	315
	10	M 14×1.5	8	7	19	22	15.0	40.0	12	26	30	14	19	19	83	EVW10LMOMD	315	315	315
	12	M 16×1.5	10	9	21	24	17.0	42.0	12	27	32	17	22	22	107	EVW12LMOMD	315	315	315
	15	M 18×1.5	12	11	23	28	21.0	46.0	12	29	36	19	27	24	170	EVW15LMOMD	250	250	250
	18	M 22×1.5	15	14	27	31	23.5	50.0	14	31	40	24	32	27	265	EVW18LMOMD	250	250	250
	22	M 26×1.5	19	18	31	35	27.5	55.0	16	33	44	27	36	32	355	EVW22LMOMD	160	160	160
	28	M 33×2	24	23	39	38	30.5	59.5	18	34	47	36	41	41	514	EVW28LMOMD	160	160	160
	35	M 42×2	30	30	49	45	34.5	68.5	20	39	56	41	50	50	791	EVW35LMOMD	160	160	160
	42	M 48×2	36	36	55	51	40.0	79.0	22	42	63	50	60	55	1153	EVW42LMOMD	160	160	160
S ⁴⁾	06	M 12×1.5	4	4	17	23	16.0	40.0	12	28	31	12	17	17	73	EVW06SMOMD	400	400	400
	08	M 14×1.5	5	5	19	24	17.0	42.5	12	30	32	14	19	19	100	EVW08SMOMD	400	400	400
	10	M 16×1.5	7	7	21	25	17.5	46.0	12	31	34	17	22	22	133	EVW10SMOMD	400	400	400
	12	M 18×1.5	8	8	23	29	21.5	48.0	12	33	38	17	24	24	174	EVW12SMOMD	400	400	400
	14	M 20×1.5	10	10	25	30	22.0	54.0	14	37	40	19	27	27	229	EVW14SMOMD	400	400	400
	16	M 22×1.5	12	12	27	33	24.5	56.0	14	37	43	24	30	27	309	EVW16SMOMD	400	400	400
	20	M 27×2	16	16	32	37	26.5	65.0	16	42	48	27	36	32	429	EVW20SMOMD	400	400	400
	25	M 33×2	20	20	39	42	30.0	73.0	18	47	54	36	46	41	826	EVW25SMOMD	250	250	250
	30	M 42×2	25	25	49	49	35.5	78.5	20	50	62	41	50	50	1132	EVW30SMOMD	160	160	160
	38	M 48×2	32	32	55	57	41.0	92.5	22	57	72	50	60	55	1874	EVW38SMOMD	160	160	160

¹⁾ Pressure shown = item deliverable

³⁾ L = light series; ⁴⁾ S = heavy series

$\frac{\text{PN (bar)}}{10} = \text{PN (MPa)}$

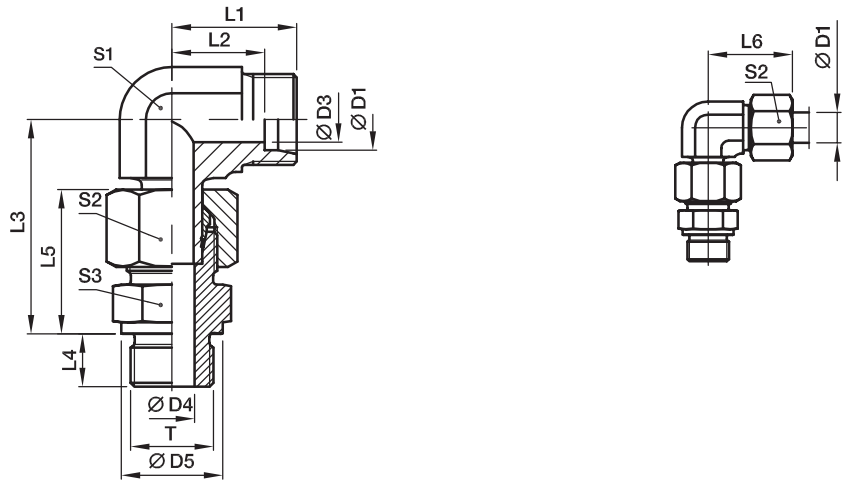
Delivery without nut and ring. Information on ordering complete fittings see page 17.

*Please add the **suffixes** below according to the material/surface required.

Order code suffixes		
Material	Suffix surface and material	Example
Steel, zinc plated, chrome ⁶ -free	CF	EVW16SMOMDCF
Steel, zinc yellow plated	A3C	EVW16SMOMDA3C
Stainless Steel	71	EVW16SMOMD71

EVW-R Assembled adjustable standpipe elbow

EO 24° cone end / Male BSPP thread – metal sealing edge (ISO 1179)



Pre-assembled, complete with straight male stud connector (with cutting face DIN 3852, type B). Final assembly (in appropriate body) at least 1/4 turn beyond the point of clearly perceptible resistance.

Series	D1	T	D3	D4	D5	L1	L2	L3	L4	L5	L6	S1	S2	S3	Weight g/1 piece	Order code*	PN (bar) ¹⁾		
																	CF	A3C	71
L ³⁾	06	G 1/8 A	4	4	14	19	12.0	34.5	8	23	27	12	14	14	47	EVW06LROMD	315	315	315
	08	G 1/4 A	6	6	18	21	14.0	37.5	12	25	29	12	17	19	68	EVW08LROMD	315	315	315
	10	G 1/4 A	8	6	18	22	15.0	40.0	12	26	30	14	19	19	84	EVW10LROMD	315	315	315
	12	G 3/8 A	10	9	22	24	17.0	42.0	12	27	32	17	22	22	118	EVW12LROMD	315	315	315
	15	G 1/2 A	12	11	26	28	21.0	46.5	14	29	36	19	27	27	191	EVW15LROMD	250	250	250
	18	G 1/2 A	15	14	26	31	23.5	50.0	14	31	40	24	32	27	260	EVW18LROMD	250	250	250
	22	G 3/4 A	19	18	32	35	27.5	55.0	16	33	44	27	36	32	355	EVW22LROMD	160	160	160
	28	G 1 A	24	23	39	38	30.5	59.5	18	34	47	36	41	41	542	EVW28LROMD	160	160	160
	35	G 1 1/4 A	30	30	49	45	34.5	68.5	20	39	56	41	50	50	832	EVW35LROMD	160	160	160
	42	G 1 1/2 A	36	36	55	51	40.0	79.0	22	42	63	50	60	55	1303	EVW42LROMD	160	160	160
S ⁴⁾	06	G 1/4 A	4	4	18	23	16.0	40.0	12	28	31	12	17	19	79	EVW06SROMD	400	400	400
	08	G 1/4 A	5	5	18	24	17.0	42.5	12	30	32	14	19	19	98	EVW08SROMD	400	400	400
	10	G 3/8 A	7	7	22	25	17.5	46.0	12	31	34	17	22	22	148	EVW10SROMD	400	400	400
	12	G 3/8 A	8	8	22	29	21.5	48.0	12	33	38	17	24	22	169	EVW12SROMD	400	400	400
	14	G 1/2 A	10	10	26	30	22.0	54.0	14	37	40	19	27	27	230	EVW14SROMD	400	400	400
	16	G 1/2 A	12	12	26	33	24.5	56.0	14	37	43	24	30	27	304	EVW16SROMD	400	400	400
	20	G 3/4 A	16	16	32	37	26.5	65.0	16	42	48	27	36	32	428	EVW20SROMD	400	400	400
	25	G 1 A	20	20	39	42	30.0	73.0	18	47	54	36	46	41	825	EVW25SROMD	250	250	250
	30	G 1 1/4 A	25	25	49	49	35.5	78.5	20	50	62	41	50	50	1134	EVW30SROMD	160	160	160
	38	G 1 1/2 A	32	32	55	57	41.0	92.5	22	57	72	50	60	55	1713	EVW38SROMD	160	160	160

¹⁾ Pressure shown = item deliverable

³⁾ L = light series; ⁴⁾ S = heavy series

$\frac{PN(\text{bar})}{10} = PN(\text{MPa})$

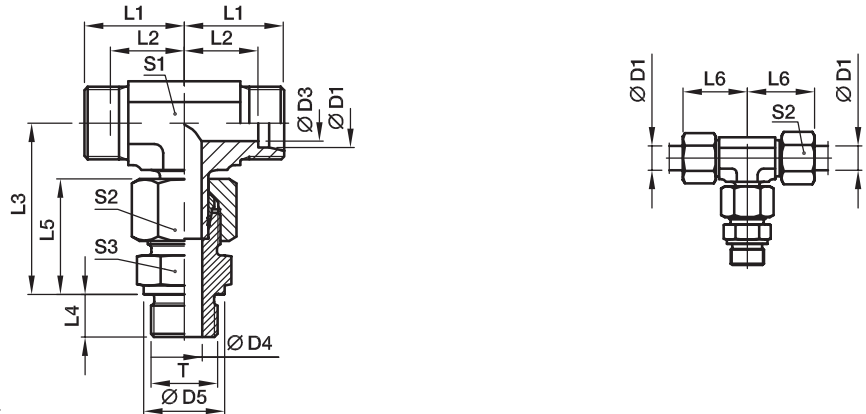
Delivery without nut and ring. Information on ordering complete fittings see page 17.

*Please add the **suffixes** below according to the material/surface required.

Order code suffixes		
Material	Suffix surface and material	Example
Steel, zinc plated, chrome ⁶ -free	CF	EVW16SROMDCF
Steel, zinc yellow plated	A3C	EVW16SROMDA3C
Stainless Steel	71	EVW16SROMD71

EVT-M Assembled adjustable standpipe branch tee

EO 24° cone end / Male metric thread – metal sealing edge (ISO 9974)



Pre-assembled, complete with straight male stud connector (with cutting face). Final assembly (in appropriate body) at least 1/4 turn beyond the point of clearly perceptible resistance.

Series	D1	T	D3	D4	D5	L1	L2	L3	L4	L5	L6	S1	S2	S3	Weight g/1 piece	Order code*	PN (bar) ¹⁾		
																	CF	A3C	71
L ³⁾	06	M 10×1	4	4	14	19	12.0	34.5	8	23	27	12	14	14	48	EVT06LMOMD	315	315	315
	08	M 12×1.5	6	6	17	21	14.0	37.5	12	25	29	12	17	17	68	EVT08LMOMD	315	315	315
	10	M 14×1.5	8	7	19	22	15.0	40.0	12	26	30	14	19	19	88	EVT10LMOMD	315	315	315
	12	M 16×1.5	10	9	21	24	17.0	43.0	12	27	32	17	22	22	116	EVT12LMOMD	315	315	315
	15	M 18×1.5	12	11	23	28	21.0	46.0	12	29	36	19	27	24	185	EVT15LMOMD	250	250	250
	18	M 22×1.5	15	14	27	31	23.5	50.0	14	31	40	24	32	27	272	EVT18LMOMD	250	250	250
	22	M 26×1.5	19	18	31	35	27.5	55.5	16	33	44	27	36	32	367	EVT22LMOMD	160	160	160
	28	M 33×2	24	23	39	38	30.5	61.0	18	34	47	36	41	41	565	EVT28LMOMD	160	160	160
	35	M 42×2	30	30	49	45	34.5	72.0	20	39	56	41	50	50	905	EVT35LMOMD	160	160	160
	42	M 48×2	36	36	55	51	40.0	79.0	22	42	63	50	60	55	1282	EVT42LMOMD	160	160	160
S ⁴⁾	06	M 12×1.5	4	4	17	23	16.0	40.0	12	28	31	12	17	17	85	EVT06SMOMD	400	400	400
	08	M 14×1.5	5	5	19	24	17.0	44.0	12	30	32	14	19	19	118	EVT08SMOMD	400	400	400
	10	M 16×1.5	7	7	21	25	17.5	47.0	12	31	34	17	22	22	149	EVT10SMOMD	400	400	400
	12	M 18×1.5	8	8	23	29	21.5	50.0	12	33	38	17	24	24	200	EVT12SMOMD	400	400	400
	14	M 20×1.5	10	10	25	30	22.0	54.0	14	37	40	19	27	27	264	EVT14SMOMD	400	400	400
	16	M 22×1.5	12	12	27	33	24.5	55.0	14	37	43	24	30	27	327	EVT16SMOMD	400	400	400
	20	M 27×2	16	16	32	37	26.5	65.0	16	42	48	27	36	32	482	EVT20SMOMD	400	400	400
	25	M 33×2	20	20	39	42	30.0	73.5	18	47	54	36	46	41	906	EVT25SMOMD	250	250	250
	30	M 42×2	25	25	49	49	35.5	80.0	20	50	62	41	50	50	1274	EVT30SMOMD	160	160	160
	38	M 48×2	32	32	55	57	41.0	92.5	22	57	72	50	60	55	1928	EVT38SMOMD	160	160	160

¹⁾ Pressure shown = item deliverable

³⁾ L = light series; ⁴⁾ S = heavy series

$$\frac{PN(\text{bar})}{10} = PN(\text{MPa})$$

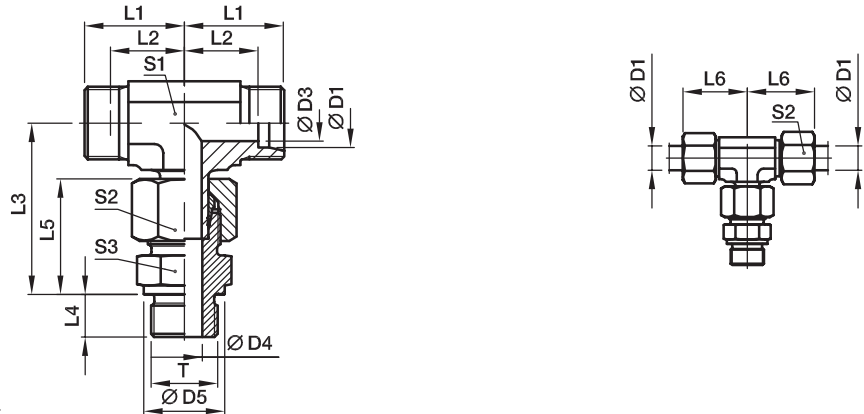
Delivery without nut and ring. Information on ordering complete fittings see page 17.

*Please add the **suffixes** below according to the material/surface required.

Order code suffixes		
Material	Suffix surface and material	Example
Steel, zinc plated, chrome ⁶ -free	CF	EVT16SMOMDCF
Steel, zinc yellow plated	A3C	EVT16SMOMDA3C
Stainless Steel	71	EVT16SMOMD71

EVT-R Assembled adjustable standpipe branch tee

EO 24° cone end / Male BSPP thread – metal sealing edge (ISO 1179)



Pre-assembled, complete with straight male stud connector (with cutting face). Final assembly (in appropriate body) at least 1/4 turn beyond the point of clearly perceptible resistance.

Series	D1	T	D3	D4	D5	L1	L2	L3	L4	L5	L6	S1	S2	S3	Weight g/1 piece	Order code*	PN (bar) ¹⁾		
																	CF	A3C	71
L ³⁾	06	G 1/8 A	4	4	14	19	12.0	34.5	8	23	27	12	14	14	48	EVT06LROMD	315	315	315
	08	G 1/4 A	6	6	18	21	14.0	37.5	12	25	29	12	17	19	73	EVT08LROMD	315	315	315
	10	G 1/4 A	8	6	18	22	15.0	40.0	12	26	30	14	19	19	85	EVT10LROMD	315	315	315
	12	G 3/8 A	10	9	22	24	17.0	43.0	12	27	32	17	22	22	118	EVT12LROMD	315	315	315
	15	G 1/2 A	12	11	26	28	21.0	46.5	14	29	36	19	27	27	206	EVT15LROMD	250	250	250
	18	G 1/2 A	15	14	26	31	23.5	50.0	14	31	40	24	32	27	267	EVT18LROMD	250	250	250
	22	G 3/4 A	19	18	32	35	27.5	55.5	16	33	44	27	36	32	367	EVT22LROMD	160	160	160
	28	G 1 A	24	23	39	38	30.5	61.0	18	34	47	36	41	41	565	EVT28LROMD	160	160	160
	35	G 1 1/4 A	30	30	49	45	34.5	72.0	20	39	56	41	50	50	901	EVT35LROMD	160	160	160
	42	G 1 1/2 A	36	36	55	51	40.0	79.0	22	42	63	50	60	55	1277	EVT42LROMD	160	160	160
S ⁴⁾	06	G 1/4 A	4	4	18	23	16.0	40.0	12	28	31	12	17	19	90	EVT06SROMD	400	400	400
	08	G 1/4 A	5	5	18	24	17.0	44.0	12	30	32	14	19	19	116	EVT08SROMD	400	400	400
	10	G 3/8 A	7	7	22	25	17.5	47.0	12	31	34	17	22	22	151	EVT10SROMD	400	400	400
	12	G 3/8 A	8	8	22	29	21.5	50.0	12	33	38	17	24	22	190	EVT12SROMD	400	400	400
	14	G 1/2 A	10	10	26	30	22.0	54.0	14	37	40	19	27	27	265	EVT14SROMD	400	400	400
	16	G 1/2 A	12	12	26	33	24.5	55.0	14	37	43	24	30	27	322	EVT16SROMD	400	400	400
	20	G 3/4 A	16	16	32	37	26.5	65.0	16	42	48	27	36	32	500	EVT20SROMD	400	400	400
	25	G 1 A	20	20	39	42	30.0	73.5	18	47	54	36	46	41	905	EVT25SROMD	250	250	250
	30	G 1 1/4 A	25	25	49	49	35.5	80.0	20	50	62	41	50	50	1275	EVT30SROMD	160	160	160
	38	G 1 1/2 A	32	32	55	57	41.0	92.5	22	57	72	50	60	55	1920	EVT38SROMD	160	160	160

¹⁾ Pressure shown = item deliverable

³⁾ L = light series; ⁴⁾ S = heavy series

$$\frac{\text{PN (bar)}}{10} = \text{PN (MPa)}$$

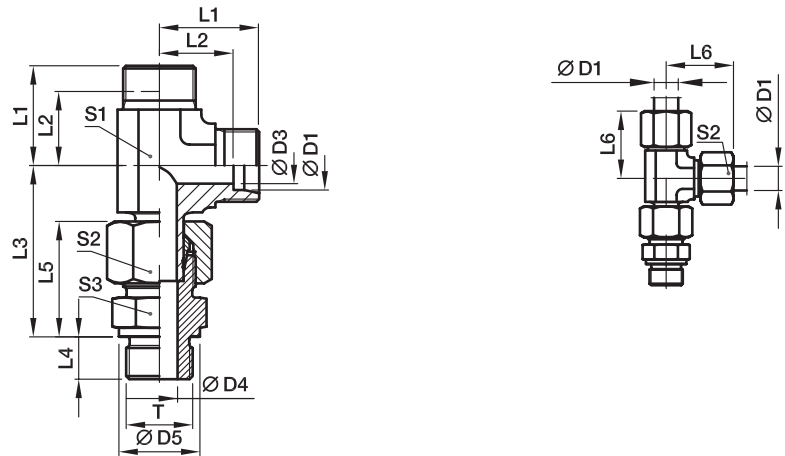
Delivery without nut and ring. Information on ordering complete fittings see page 17.

*Please add the **suffixes** below according to the material/surface required.

Order code suffixes		
Material	Suffix surface and material	Example
Steel, zinc plated, chrome ⁶ -free	CF	EVT16SROMDCF
Steel, zinc yellow plated	A3C	EVT16SROMDA3C
Stainless Steel	71	EVT16SROMD71

EVL-M Assembled adjustable standpipe run tee

EO 24° cone end / Male metric thread – metal sealing edge (ISO 9974)



Pre-assembled, complete with straight male stud connector (with cutting face). Final assembly (in appropriate body) at least 1/4 turn beyond the point of clearly perceptible resistance.

Series	D1	T	D3	D4	D5	L1	L2	L3	L4	L5	L6	S1	S2	S3	Weight g/1 piece	Order code*	PN (bar) ¹⁾		
																	CF	A3C	71
L ³⁾	06	M 10×1	4	4	14	19	12.0	34.5	8	23	27	12	14	14	48	EVL06LMOMD	315	315	315
	08	M 12×1.5	6	6	17	21	14.0	37.5	12	25	29	12	17	17	73	EVL08LMOMD	315	315	315
	10	M 14×1.5	8	7	19	22	15.0	40.0	12	26	30	14	19	19	89	EVL10LMOMD	315	315	315
	12	M 16×1.5	10	9	21	24	17.0	43.0	12	27	32	17	22	22	118	EVL12LMOMD	315	315	315
	15	M 18×1.5	12	11	23	28	21.0	46.0	12	29	36	19	27	24	186	EVL15LMOMD	250	250	250
	18	M 22×1.5	15	14	27	31	23.5	50.0	14	31	40	24	32	27	269	EVL18LMOMD	250	250	250
	22	M 26×1.5	19	18	31	35	27.5	55.5	16	33	44	27	36	32	364	EVL22LMOMD	160	160	160
	28	M 33×2	24	23	39	38	30.5	61.0	18	34	47	36	41	41	556	EVL28LMOMD	160	160	160
	35	M 42×2	30	30	49	45	34.5	72.0	20	39	56	41	50	50	900	EVL35LMOMD	160	160	160
	42	M 48×2	36	36	55	51	40.0	79.0	22	42	63	50	60	55	1323	EVL42LMOMD	160	160	160
S ⁴⁾	06	M 12×1.5	4	4	17	23	16.0	40.0	12	28	31	12	17	17	85	EVL06SMOMD	400	400	400
	08	M 14×1.5	5	5	19	24	17.0	44.0	12	30	32	14	19	19	119	EVL08SMOMD	400	400	400
	10	M 16×1.5	7	7	21	25	17.5	47.0	12	31	34	17	22	22	151	EVL10SMOMD	400	400	400
	12	M 18×1.5	8	8	23	29	21.5	50.0	12	33	38	17	24	24	202	EVL12SMOMD	400	400	400
	14	M 20×1.5	10	10	25	30	22.0	54.0	14	37	40	19	27	27	264	EVL14SMOMD	400	400	400
	16	M 22×1.5	12	12	27	33	24.5	56.0	14	37	43	24	30	27	326	EVL16SMOMD	400	400	400
	20	M 27×2	16	16	32	37	26.5	65.0	16	42	48	27	36	32	481	EVL20SMOMD	400	400	400
	25	M 33×2	20	20	39	42	30.0	73.5	18	47	54	36	46	41	904	EVL25SMOMD	250	250	250
	30	M 42×2	25	25	49	49	35.5	80.0	20	50	62	41	50	50	1263	EVL30SMOMD	160	160	160
	38	M 48×2	32	32	55	57	41.0	92.5	22	57	72	50	60	55	1936	EVL38SMOMD	160	160	160

¹⁾ Pressure shown = item deliverable

³⁾ L = light series; ⁴⁾ S = heavy series

$\frac{PN(\text{bar})}{10} = PN(\text{MPa})$

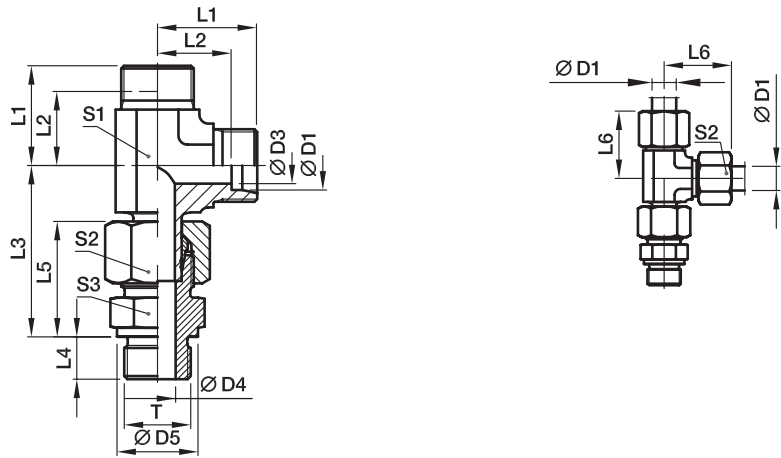
Delivery without nut and ring. Information on ordering complete fittings see page 17.

*Please add the **suffixes** below according to the material/surface required.

Order code suffixes		
Material	Suffix surface and material	Example
Steel, zinc plated, chrome ⁶ -free	CF	EVL16SMOMDCF
Steel, zinc yellow plated	A3C	EVL16SMOMDA3C
Stainless Steel	71	EVL16SMOMD71

EVL-R Assembled adjustable standpipe run tee

EO 24° cone end / Male BSPP thread – metal sealing edge (ISO 1179)



Pre-assembled, complete with straight male stud connector (with cutting face). Final assembly (in appropriate body) at least 1/4 turn beyond the point of clearly perceptible resistance.

Series	D1	T	D3	D4	D5	L1	L2	L3	L4	L5	L6	S1	S2	S3	Weight g/1 piece	Order code*	PN (bar) ¹⁾		
																	CF	A3C	71
L ³⁾	06	G 1/8 A	4	4	14	19	12.0	34.5	8	23	27	12	14	14	48	EVL06LR0MD	315	315	315
	08	G 1/4 A	6	6	18	21	14.0	37.5	12	25	29	12	17	19	73	EVL08LR0MD	315	315	315
	10	G 1/4 A	8	6	18	22	15.0	40.0	12	26	30	14	19	19	87	EVL10LR0MD	315	315	315
	12	G 3/8 A	10	9	22	24	17.0	43.0	12	27	32	17	22	22	120	EVL12LR0MD	315	315	315
	15	G 1/2 A	12	11	26	28	21.0	46.5	14	29	36	19	27	27	207	EVL15LR0MD	250	250	250
	18	G 1/2 A	15	14	26	31	23.5	50.0	14	31	40	24	32	27	264	EVL18LR0MD	250	250	250
	22	G 3/4 A	19	18	32	35	27.5	55.5	16	33	44	27	36	32	365	EVL22LR0MD	160	160	160
	28	G 1 A	24	23	39	38	30.5	61.0	18	34	47	36	41	41	556	EVL28LR0MD	160	160	160
	35	G 1 1/4 A	30	30	49	45	34.5	72.0	20	39	56	41	50	50	895	EVL35LR0MD	160	160	160
	42	G 1 1/2 A	36	36	55	51	40.0	79.0	22	42	63	50	60	55	1318	EVL42LR0MD	160	160	160
S ⁴⁾	06	G 1/4 A	4	4	18	23	16.0	40.0	12	28	31	12	17	19	90	EVL06SR0MD	400	400	400
	08	G 1/4 A	5	5	18	24	17.0	44.0	12	30	32	14	19	19	117	EVL08SR0MD	400	400	400
	10	G 3/8 A	7	7	22	25	17.5	47.0	12	31	34	17	22	22	153	EVL10SR0MD	400	400	400
	12	G 3/8 A	8	8	22	29	21.5	50.0	12	33	38	17	24	22	192	EVL12SR0MD	400	400	400
	14	G 1/2 A	10	10	26	30	22.0	54.0	14	37	40	19	27	27	266	EVL14SR0MD	400	400	400
	16	G 1/2 A	12	12	26	33	24.5	56.0	14	37	43	24	30	27	321	EVL16SR0MD	400	400	400
	20	G 3/4 A	16	16	32	37	26.5	65.0	16	42	48	27	36	32	480	EVL20SR0MD	400	400	400
	25	G 1 A	20	20	39	42	30.0	73.5	18	47	54	36	46	41	903	EVL25SR0MD	250	250	250
	30	G 1 1/4 A	25	25	49	49	35.5	80.0	20	50	62	41	50	50	1265	EVL30SR0MD	160	160	160
	38	G 1 1/2 A	32	32	55	57	41.0	92.5	22	57	72	50	60	55	1928	EVL38SR0MD	160	160	160

¹⁾ Pressure shown = item deliverable

³⁾ L = light series; ⁴⁾ S = heavy series

$$\frac{\text{PN (bar)}}{10} = \text{PN (MPa)}$$

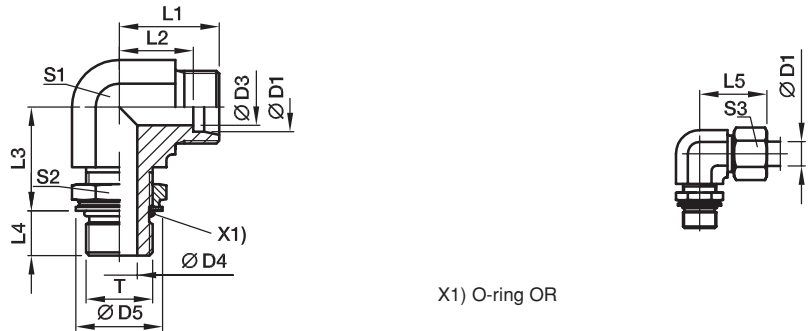
Delivery without nut and ring. Information on ordering complete fittings see page 17.

*Please add the **suffixes** below according to the material/surface required.

Order code suffixes		
Material	Suffix surface and material	Example
Steel, zinc plated, chrome ⁶ -free	CF	EVL16SR0MDCF
Steel, zinc yellow plated	A3C	EVL16SR0MDA3C
Stainless Steel	71	EVL16SR0MD71

WEE-OR Adjustable locknut elbow

EO 24° cone end / Adjustable metric thread – O-ring (ISO 6149)



Series	D1	T	D3	D4	D5	L1	L2	L3	L4	L5	S1	S2	S3	Weight g/1 piece	Order code*	PN (bar) ¹⁾	
																CF	A3C
LL ²⁾	04	M8×1	3.0	4.5	13.3	15	11.3	19.8	7.1	21	12	12	10	24	WEE04LLMOROMD	100	100
	04	M10×1	3.0	6.0	15.3	15	11.3	19.8	7.1	21	11	14	10	29	WEE04LLM10X10ROMD	100	100
	06	M10×1	4.5	6.0	15.3	15	9.8	19.8	7.1	22	14	14	12	22	WEE06LLMOROMD	100	100
	06	M12×1.5	4.5	7.0	18.6	18	12.8	23.2	9.6	25	14	17	12	42	WEE06LLM12X1.5OROMD	100	100
L ³⁾	06	M10×1	4.0	4.5	15.0	21	14.0	20.0	7.0	29	14	14	14	40	WEE06LMOROMD	315	315
	08	M12×1.5	6.0	6.0	18.0	23	16.0	22.0	10.0	31	14	17	17	48	WEE08LMOROMD	315	315
	10	M14×1.5	8.0	7.5	20.0	24	17.0	25.0	10.0	32	19	19	19	84	WEE10LMOROMD	315	315
	12	M16×1.5	10.0	9.0	23.0	26	19.0	26.0	10.0	34	19	22	22	92	WEE12LMOROMD	315	315
	15	M18×1.5	12.0	11.0	25.0	28	21.0	30.0	11.0	36	22	24	27	128	WEE15LMOROMD	315	315
	18	M22×1.5	15.0	14.0	28.0	31	24.0	33.0	12.0	40	27	27	32	204	WEE18LMOROMD	315	315
	22	M27×2	19.0	18.0	33.0	35	28.0	35.0	14.0	44	30	32	36	269	WEE22LM27X2OROMD	160	160
	28	M33×2	24.0	23.0	41.0	38	31.0	38.0	14.0	47	36	41	41	420	WEE28LMOROMD	160	160
	35	M42×2	30.0	30.0	51.0	48	38.0	48.0	14.0	59	50	50	50	958	WEE35LMOROMD	160	160
	42	M48×2	36.0	36.0	56.0	49	38.0	49.0	16.0	61	50	55	60	844	WEE42LMOROMD	160	160
S ⁴⁾	06	M12×1.5	4.0	4.0	18.0	22	15.0	22.0	10.0	30	14	17	17	55	WEE06SMOROMD	400	400
	08	M14×1.5	5.0	6.0	20.0	24	17.0	26.0	10.0	32	19	19	19	90	WEE08SMOROMD	400	400
	10	M16×1.5	7.0	7.0	23.0	25	18.0	27.0	11.0	34	19	22	22	108	WEE10SMOROMD	400	400
	12	M18×1.5	8.0	9.0	25.0	29	22.0	31.0	12.0	38	22	24	24	154	WEE12SMOROMD	400	400
	16	M22×1.5	12.0	12.0	28.0	33	25.0	35.0	14.0	43	27	27	30	242	WEE16SMOROMD	400	400
	20	M27×2	16.0	15.0	33.0	38	28.0	39.0	16.0	49	30	32	36	354	WEE20SMOROMD	400	400
	25	M33×2	20.0	20.0	41.0	42	30.0	44.0	16.0	54	36	41	46	552	WEE25SMOROMD	315	315
	30	M42×2	25.0	26.0	51.0	49	36.0	51.0	17.0	62	50	50	50	1129	WEE30SMOROMD	250	250
38	M48×2	32.0	32.0	56.0	50	34.0	54.0	19.0	65	50	55	60	1123	WEE38SMOROMD	200	200	

¹⁾ Pressure shown = item deliverable

²⁾ LL = very light series; ³⁾ L = light series; ⁴⁾ S = heavy series

$\frac{PN(\text{bar})}{10} = PN(\text{MPa})$

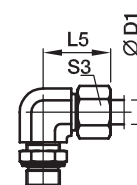
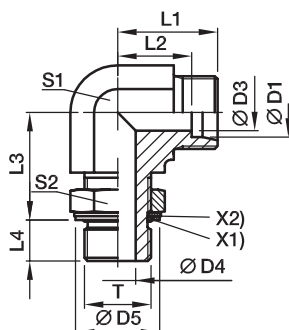
Delivery without nut and ring. Information on ordering complete fittings or alternative sealing materials see page I7.

*Please add the **suffixes** below according to the material/surface required.

Order code suffixes			
Material	Suffix surface and material	Example	Standard sealing material (no additional suffix needed)
Steel, zinc plated, chrome ⁶ -free	CF	WEE16SMOROMDCF	NBR
Steel, zinc yellow plated	A3C	WEE16SMOROMDA3C	NBR

WEE-M Adjustable locknut elbow

EO 24° cone end / Adjustable metric thread – O-ring + retaining ring



X1) O-ring OR
X2) retaining ring

Series	D1	T	D3	D4	D5	L1	L2	L3	L4	L5	S1	S2	S3	Weight g/1 piece	Order code*	PN (bar) ¹⁾		
																CF	A3C	71
L ³⁾	06	M10×1	4	4.5	15	21	14	20	7	29	14	13	14	39	WEE06LMOMD	315	315	315
	08	M12×1.5	6	6.0	18	23	16	22	10	31	14	17	17	55	WEE08LMOMD	315	315	315
	10	M14×1.5	8	7.5	20	24	17	24	10	32	19	17	19	81	WEE10LMOMD	315	315	315
	12	M16×1.5	10	9.0	23	26	19	25	10	34	19	19	22	92	WEE12LMOMD	315	315	315
	15	M18×1.5	12	11.0	25	28	21	31	11	36	22	22	27	127	WEE15LMOMD	315	315	315
	18	M22×1.5	15	14.0	28	31	24	33	12	40	27	27	32	207	WEE18LMOMD	250	250	250
	22	M27×2	19	18.0	33	35	28	36	14	44	30	32	36	273	WEE22LM27X2OMD	160	160	160
	28	M33×2	24	23.0	41	38	31	39	14	47	36	38	41	415	WEE28LMOMD	160	160	160
	35	M42×2	30	30.0	51	48	38	49	14	59	50	50	50	971	WEE35LMOMD	160	160	160
	42	M48×2	36	36.0	56	49	38	50	16	61	50	55	60	914	WEE42LMOMD	160	160	160
S ⁴⁾	06	M12×1.5	4	4.0	18	22	15	22	10	30	14	17	17	55	WEE06SMOMD	315	315	315
	08	M14×1.5	5	6.0	20	24	17	26	10	32	19	17	19	87	WEE08SMOMD	315	315	315
	10	M16×1.5	7	7.0	23	25	18	27	11	34	19	19	22	102	WEE10SMOMD	315	315	315
	12	M18×1.5	8	9.0	25	29	22	31	12	38	22	22	24	146	WEE12SMOMD	315	315	315
	16	M22×1.5	12	12.0	28	33	25	36	14	43	27	27	30	238	WEE16SMOMD	250	250	250
	20	M27×2	16	15.0	33	38	28	39	16	49	30	32	36	348	WEE20SMOMD	250	250	250
	25	M33×2	20	20.0	41	42	30	44	16	54	36	38	46	529	WEE25SMOMD	160	160	160
	30	M42×2	25	26.0	51	49	36	51	17	62	50	50	50	1118	WEE30SMOMD	160	160	160
	38	M48×2	32	32.0	56	50	34	54	19	65	50	55	60	1098	WEE38SMOMD	160	160	160

¹⁾ Pressure shown = item deliverable

³⁾ L = light series; ⁴⁾ S = heavy series

$\frac{PN \text{ (bar)}}{10} = PN \text{ (MPa)}$

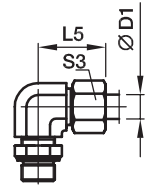
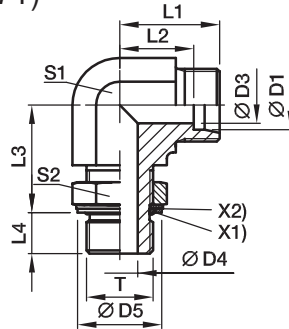
Delivery without nut and ring. Information on ordering complete fittings or alternative sealing materials see page 17.

*Please add the **suffixes** below according to the material/surface required.

Order code suffixes			
Material	Suffix surface and material	Example	Standard sealing material (no additional suffix needed)
Steel, zinc plated, chrome ⁶⁾ -free	CF	WEE16SMOMDCF	NBR
Steel, zinc yellow plated	A3C	WEE16SMOMDA3C	NBR
Stainless Steel	71	WEE16SMOMD71	VIT

WEE-R Adjustable locknut elbow

EO 24° cone end / Adjustable BSPP thread – O-ring + retaining ring (ISO 1179)
 for ports with small or wide spot face;
 differences in D5 in Stainless Steel are only for ports with wide spot face
 (e.g. WEE16SRBOMD71)



X1) O-ring OR
 X2) retaining ring

Series	D1	T	D3	D4	D5 ⁵⁾	D5 ⁶⁾	L1	L2	L3	L4	L5	S1	S2	S3	Weight g/1 piece	Order code*	PN (bar) ¹⁾		
																	CF	A3C	71
LL ²⁾	04	G 1/8A	3.0	4.5	15		15	11.3	20	7.1	21	11	14	10	27	WEE04LLROMD	250	250	
	06	G 1/8A	4.5	4.5	15		15	11.3	20	7.1	21	11	14	12	27	WEE06LLROMD	250	250	
L ³⁾	06	G 1/8A	4.0	4.5	15	15.0	21	14.0	19	7.0	29	14	14	14	40	WEE06LROMD	315	315	315
	08	G 1/4A	6.0	7.5	20	20.0	23	16.0	23	9.0	31	14	19	17	59	WEE08LROMD	315	315	315
	10	G 1/4A	8.0	7.5	20	20.0	24	17.0	25	9.0	32	19	19	19	82	WEE10LROMD	315	315	315
	12	G 3/8A	10.0	10.0	23	23.5	26	19.0	28	9.0	34	19	22	22	96	WEE12LROMD	250	250	250
	15	G 1/2A	12.0	12.5	28	28.5	28	21.0	30	13.0	36	22	27	27	149	WEE15LROMD	250	250	250
	18	G 1/2A	15.0	12.5	28	28.5	31	24.0	36	13.0	40	27	27	32	221	WEE18LROMD	250	250	250
	22	G 3/4A	19.0	15.5	33	34.5	35	28.0	36	13.0	44	30	36	36	310	WEE22LROMD	160	160	160
	28	G 1A	24.0	21.5	41	43.5	38	31.0	44	15.0	47	36	41	41	455	WEE28LROMD	160	160	160
	35	G 1 1/4A	30.0	27.5	51	52.5	48	38.0	50	15.0	59	50	50	50	1043	WEE35LROMD	160	160	160
	42	G 1 1/2A	36.0	33.0	56	60.0	49	38.0	52	15.0	61	50	55	60	994	WEE42LROMD	160	160	160
S ⁴⁾	06	G 1/4A	4.0	7.5	20	20.0	22	15.0	23	9.0	30	14	19	17	56	WEE06SROMD	315	315	315
	08	G 1/4A	5.0	7.5	20	20.0	24	17.0	27	9.0	32	19	19	19	88	WEE08SROMD	315	315	315
	10	G 3/8A	7.0	10.0	23	23.5	25	18.0	29	9.0	34	19	22	22	98	WEE10SROMD	250	250	250
	12	G 3/8A	8.0	10.0	23	23.5	29	22.0	29	9.0	38	22	22	24	128	WEE12SROMD	250	250	250
	16	G 1/2A	12.0	12.5	28	28.5	33	25.0	36	13.0	43	27	27	30	234	WEE16SROMD	250	250	250
	20	G 3/4A	16.0	15.5	33	34.5	38	28.0	39	12.0	49	30	36	36	344	WEE20SROMD	250	250	250
	25	G 1A	20.0	21.5	41	43.5	42	30.0	44	14.0	54	36	41	46	533	WEE25SROMD	250	250	250
	30	G 1 1/4A	25.0	27.5	51	52.5	49	36.0	49	15.0	62	50	50	50	1085	WEE30SROMD	160	160	160
	38	G 1 1/2A	32.0	33.0	56	60.0	50	34.0	55	15.0	65	50	55	60	1116	WEE38SROMD	160	160	160

1) Pressure shown = item deliverable

2) LL = very light series; 3) L = light series; 4) S = heavy series

$$\frac{PN \text{ (bar)}}{10} = PN \text{ (MPa)}$$

Delivery without nut and ring. Information on ordering complete fittings or alternative sealing materials see page 17.

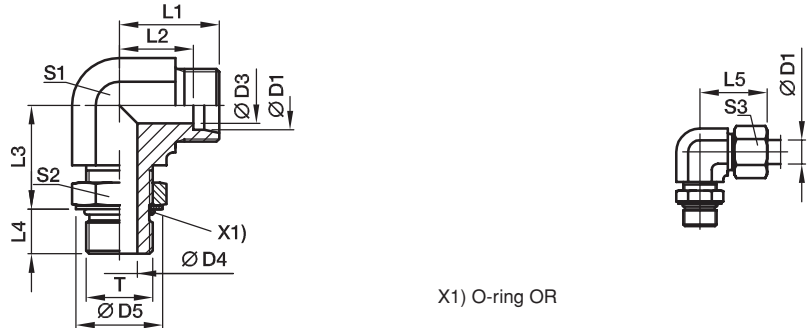
5) Steel; 6) Stainless Steel

*Please add the **suffixes** below according to the material/surface required.

Order code suffixes			
Material	Suffix surface and material	Example	Standard sealing material (no additional suffix needed)
Steel, zinc plated, chrome ⁵⁾ -free	CF	WEE16SROMDCF	NBR
Steel, zinc yellow plated	A3C	WEE16SROMDA3C	NBR
Stainless Steel	71	WEE16SRBOMD71	VIT

WEE-UNF Adjustable locknut elbow

EO 24° cone end / Adjustable UN/UNF thread – O-ring (ISO 11926)



Series	D1	T	D3	D4	D5	L1	L2	L3	L4	L5	S1	S2	S3	Weight g/1 piece	Order code*	PN (bar) ¹⁾	
																CF	A3C
L ³⁾	06	7/16-20 UNF-2A	4	4.5	16.5	21	14	19	10	29	14	14	14	42	WEE06L7/16UNFOMD	315	315
	08	7/16-20 UNF-2A	6	4.5	18.3	23	16	19	10	31	14	14	17	45	WEE08L7/16UNFOMD	315	315
	10	9/16-18 UNF-2A	8	7.5	20.2	24	17	24	10	32	19	17	19	79	WEE10L9/16UNFOMD	315	315
	12	9/16-18 UNF-2A	10	7.5	25.7	26	19	25	11	34	19	17	22	84	WEE12L9/16UNFOMD	315	315
	12	3/4-16 UNF-2A	10	10.0	25.7	26	19	25	13	34	19	22	22	102	WEE12L3/4UNFOMD	315	315
	15	3/4-16 UNF-2A	12	10.0	25.7	28	21	28	13	36	22	22	27	131	WEE15L3/4UNFOMD	315	315
	15	7/8-14 UNF-2A	12	12.5	29.3	28	21	28	15	36	22	27	27	151	WEE15L7/8UNFOMD	315	315
	18	7/8-14 UNF-2A	15	12.5	29.3	31	24	32	15	40	27	27	32	223	WEE18L7/8UNFOMD	315	315
	18	1 1/16-12 UN-2A	15	15.5	29.3	31	24	32	17	40	30	32	32	287	WEE18L11/16UNOMD	315	315
	22	1 1/16-12 UN-2A	19	15.5	36.7	35	28	35	17	44	30	32	36	307	WEE22L11/16UNOMD	160	160
	28	1 5/16-12 UN-2A	24	21.5	44.0	38	31	42	17	47	36	41	41	446	WEE28L15/16UNOMD	160	160
	35	1 5/8-12 UN-2A	30	27.5	55.0	48	38	46	17	59	50	50	50	1043	WEE35L15/8UNOMD	160	160
42	1 7/8-12 UN-2A	36	33.5	55.0	49	38	47	17	61	50	55	60	937	WEE42L17/8UNOMD	160	160	
S ⁴⁾	06	7/16-20 UNF-2A	4	4.5	16.5	22	15	20	12	30	14	14	17	52	WEE06S7/16UNFOMD	400	400
	08	9/16-18 UNF-2A	5	7.5	18.3	24	17	25	12	32	19	17	19	92	WEE08S9/16UNFOMD	400	400
	10	9/16-18 UNF-2A	7	7.5	20.2	25	18	26	12	34	19	17	22	95	WEE10S9/16UNFOMD	400	400
	12	3/4-16 UNF-2A	8	10.0	25.7	29	22	30	14	38	22	22	24	152	WEE12S3/4UNFOMD	400	400
	16	7/8-14 UNF-2A	12	12.5	29.3	33	25	34	16	43	27	27	30	243	WEE16S7/8UNFOMD	400	400
	20	1 1/16-12 UN-2A	16	15.5	36.7	38	28	37	19	49	30	32	36	370	WEE20S11/16UNOMD	400	400
	25	1 1/16-12 UN-2A	20	15.5	44.0	42	30	50	19	54	36	32	46	505	WEE25S11/16UNOMD	400	400
	30	1 5/8-12 UN-2A	25	27.5	55.0	49	36	50	19	62	50	50	50	1105	WEE30S15/8UNOMD	250	250
38	1 7/8-12 UN-2A	32	33.5	55.0	50	34	51	19	65	50	55	60	1106	WEE38S17/8UNOMD	250	250	

¹⁾ Pressure shown = item deliverable

³⁾ L = light series; ⁴⁾ S = heavy series

$$\frac{\text{PN (bar)}}{10} = \text{PN (MPa)}$$

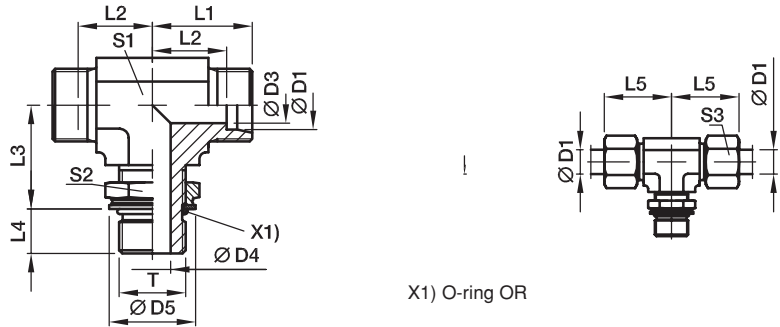
Delivery without nut and ring. Information on ordering complete fittings or alternative sealing materials see page 17.

*Please add the **suffixes** below according to the material/surface required.

Order code suffixes			
Material	Suffix surface and material	Example	Standard sealing material (no additional suffix needed)
Steel, zinc plated, chrome ⁶ -free	CF	WEE16S7/8UNFOMDCF	NBR
Steel, zinc yellow plated	A3C	WEE16S7/8UNFOMDA3C	NBR

TEE-OR Adjustable locknut branch tee

EO 24° cone end / Adjustable metric thread – O-ring (ISO 6149)



Series	D1	T	D3	D4	D5	L1	L2	L3	L4	L5	S1	S2	S3	Weight g/1 piece	Order code*	PN (bar) ¹⁾	
																CF	A3C
L ³⁾	06	M10×1	4	4.5	15	21	14	20	7	29	14	14	14	53	TEE06LMOROMD	315	315
	08	M12×1.5	6	6.0	18	23	16	22	10	31	14	17	17	63	TEE08LMOROMD	315	315
	10	M14×1.5	8	7.5	20	24	17	25	10	32	19	19	19	111	TEE10LMOROMD	315	315
	12	M16×1.5	10	9.0	23	26	19	26	10	34	19	22	22	110	TEE12LMOROMD	315	315
	15	M18×1.5	12	11.0	25	28	21	30	11	36	22	24	27	163	TEE15LMOROMD	315	315
	18	M22×1.5	15	14.0	28	31	24	33	12	40	27	27	32	272	TEE18LMOROMD	315	315
	22	M27×2	19	18.0	33	35	28	35	14	44	30	32	36	315	TEE22LM27X2OROMD	160	160
	28	M33×2	24	23.0	41	38	31	38	14	47	36	41	41	477	TEE28LMOROMD	160	160
	35	M42×2	30	30.0	51	48	38	48	14	59	50	50	50	477	TEE35LMOROMD	160	160
	42	M48×2	36	36.0	56	49	38	49	16	61	50	55	60	950	TEE42LMOROMD	160	160
S ⁴⁾	06	M12×1.5	4	4.0	18	22	15	22	10	30	14	17	17	72	TEE06SMOROMD	400	400
	08	M14×1.5	5	6.0	20	24	17	26	10	32	19	19	19	118	TEE08SMOROMD	400	400
	10	M16×1.5	7	7.0	23	25	18	27	11	34	19	22	22	131	TEE10SMOROMD	400	400
	12	M18×1.5	8	9.0	25	29	22	31	12	38	22	24	24	192	TEE12SMOROMD	400	400
	16	M22×1.5	12	12.0	28	33	25	35	14	43	27	27	30	295	TEE16SMOROMD	400	400
	20	M27×2	16	15.0	33	38	28	39	16	49	30	32	36	423	TEE20SMOROMD	400	400
	25	M33×2	20	20.0	41	42	30	44	16	54	36	41	46	665	TEE25SMOROMD	315	315
	30	M42×2	25	26.0	51	49	36	51	17	62	50	50	50	1347	TEE30SMOROMD	250	250
38	M48×2	32	32.0	56	50	34	54	19	65	50	55	60	1324	TEE38SMOROMD	200	200	

¹⁾ Pressure shown = item deliverable

³⁾ L = light series; ⁴⁾ S = heavy series

$$\frac{PN \text{ (bar)}}{10} = PN \text{ (MPa)}$$

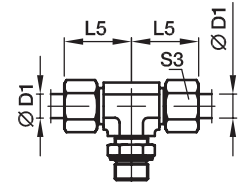
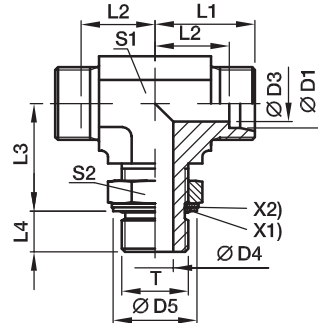
Delivery without nut and ring. Information on ordering complete fittings or alternative sealing materials see page 17.

*Please add the **suffixes** below according to the material/surface required.

Order code suffixes			
Material	Suffix surface and material	Example	Standard sealing material (no additional suffix needed)
Steel, zinc plated, chrome ⁶⁻ -free	CF	TEE16SMOROMDCF	NBR
Steel, zinc yellow plated	A3C	TEE16SMOROMDA3C	NBR

TEE-M Adjustable locknut branch tee

EO 24° cone end / Adjustable metric thread – O-ring + retaining ring



X1) O-ring OR
X2) retaining ring

Series	D1	T	D3	D4	D5	L1	L2	L3	L4	L5	S1	S2	S3	Weight g/1 piece	Order code*	PN (bar) ¹⁾		
																CF	A3C	71
L ³⁾	06	M10×1	4	4.5	15	21	14	20	7	29	14	13	14	52	TEE06LMOMD	315	315	315
	08	M12×1.5	6	6.0	18	23	16	22	10	31	14	17	17	63	TEE08LMOMD	315	315	315
	10	M14×1.5	8	7.5	20	24	17	25	9	32	19	17	19	99	TEE10LMOMD	315	315	315
	12	M16×1.5	10	9.0	23	26	19	26	9	34	19	19	22	106	TEE12LMOMD	315	315	315
	15	M18×1.5	12	11.0	25	28	21	30	11	36	22	22	27	162	TEE15LMOMD	315	315	315
	18	M22×1.5	15	14.0	28	31	24	33	11	40	27	27	32	248	TEE18LMOMD	250	250	250
	22	M27×2	19	18.0	33	35	28	35	14	44	30	32	36	319	TEE22LM27X2OMD	160	160	160
	28	M33×2	24	23.0	41	38	31	38	14	47	36	38	41	472	TEE28LMOMD	160	160	160
	35	M42×2	30	30.0	51	48	38	48	14	59	50	50	50	1147	TEE35LMOMD	160	160	160
	42	M48×2	36	36.0	56	49	38	49	16	61	50	55	60	1020	TEE42LMOMD	160	160	160
S ⁴⁾	06	M12×1.5	4	4.0	18	22	15	22	10	30	14	17	17	73	TEE06SMOMD	315	315	315
	08	M14×1.5	5	6.0	20	24	17	26	10	32	19	17	19	124	TEE08SMOMD	315	315	315
	10	M16×1.5	7	7.0	23	25	18	27	11	34	19	19	22	125	TEE10SMOMD	315	315	315
	12	M18×1.5	8	9.0	25	29	22	31	12	38	22	22	24	184	TEE12SMOMD	315	315	315
	16	M22×1.5	12	12.0	28	33	25	35	14	43	27	27	30	291	TEE16SMOMD	250	250	250
	20	M27×2	16	15.0	33	38	28	39	16	49	30	32	36	418	TEE20SMOMD	250	250	250
	25	M33×2	20	20.0	41	42	30	44	16	54	36	38	46	642	TEE25SMOMD	160	160	160
	30	M42×2	25	26.0	51	49	36	51	17	62	50	50	50	1335	TEE30SMOMD	160	160	160
	38	M48×2	32	32.0	56	50	34	54	19	65	50	55	60	1300	TEE38SMOMD	160	160	160

¹⁾ Pressure shown = item deliverable

³⁾ L = light series; ⁴⁾ S = heavy series

$$\frac{PN \text{ (bar)}}{10} = PN \text{ (MPa)}$$

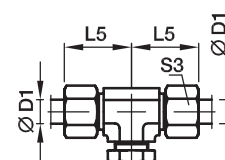
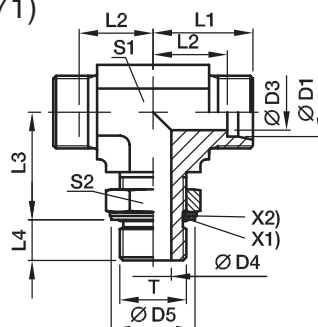
Delivery without nut and ring. Information on ordering complete fittings or alternative sealing materials see page 17.

*Please add the **suffixes** below according to the material/surface required.

Order code suffixes			
Material	Suffix surface and material	Example	Standard sealing material (no additional suffix needed)
Steel, zinc plated, chrome ⁶⁾ -free	CF	TEE16SMOMDCF	NBR
Steel, zinc yellow plated	A3C	TEE16SMOMDA3C	NBR
Stainless Steel	71	TEE16SMOMD71	VIT

TEE-R Adjustable locknut branch tee

EO 24° cone end / Adjustable BSP thread – O-ring + retaining ring (ISO 1179)
 for ports with small or wide spot face;
 differences in D5 in Stainless Steel are only for ports with wide spot face
 (e. g. TEE16SRBOMD71)



X1) O-ring OR
 X2) retaining ring

Series	D1	T	D3	D4	D5 ⁵⁾	D5 ⁶⁾	L1	L2	L3	L4	L5	S1	S2	S3	Weight g/1 piece	Order code*	PN (bar) ¹⁾		
																	CF	A3C	71
L ³⁾	06	G 1/8A	4	4.5	15	15.0	21	14	19	7	29	14	14	14	52	TEE06LROMD	315	315	315
	08	G 1/4A	6	7.5	20	20.0	23	16	23	9	31	14	19	17	75	TEE08LROMD	315	315	315
	10	G 1/4A	8	7.5	20	20.0	24	17	25	9	32	19	19	19	107	TEE10LROMD	315	315	315
	12	G 3/8A	10	10.0	23	23.5	26	19	28	9	34	19	22	22	114	TEE12LROMD	250	250	250
	15	G 1/2A	12	12.5	28	28.5	28	21	30	13	36	22	27	27	183	TEE15LROMD	250	250	250
	18	G 1/2A	15	12.5	28	28.5	31	24	36	13	40	27	27	32	271	TEE18LROMD	250	250	250
	22	G 3/4A	19	15.5	33	34.5	35	28	36	13	44	30	36	36	357	TEE22LROMD	160	160	160
	28	G 1A	24	21.5	41	43.5	38	31	44	15	47	36	41	41	545	TEE28LROMD	160	160	160
	35	G 1 1/4A	30	27.5	51	52.5	48	38	50	15	59	50	50	50	1188	TEE35LROMD	160	160	160
	42	G 1 1/2A	36	33.0	56	60.0	49	38	52	15	61	50	50	60	1122	TEE42LROMD	160	160	160
S ⁴⁾	06	G 1/4A	4	7.5	20	20.0	22	15	23	9	30	14	19	17	73	TEE06SROMD	315	315	315
	08	G 1/4A	5	7.5	20	20.0	24	17	27	9	32	19	19	19	115	TEE08SROMD	315	315	315
	10	G 3/8A	7	10.0	23	23.5	25	18	29	9	34	19	22	22	126	TEE10SROMD	250	250	250
	12	G 3/8A	8	10.0	23	23.5	29	22	29	9	38	22	22	24	171	TEE12SROMD	250	250	250
	16	G 1/2A	12	12.5	28	28.5	33	25	36	13	43	27	27	30	292	TEE16SROMD	250	250	250
	20	G 3/4A	16	15.5	33	34.5	38	28	39	12	49	30	36	36	416	TEE20SROMD	250	250	250
	25	G 1A	20	21.5	41	43.5	42	30	44	14	54	36	41	46	644	TEE25SROMD	250	250	250
	30	G 1 1/4A	25	27.5	51	52.5	49	36	49	15	62	50	50	50	1285	TEE30SROMD	160	160	160
	38	G 1 1/2A	32	33.0	56	60.0	50	34	55	15	65	50	55	60	1272	TEE38SROMD	160	160	160

¹⁾ Pressure shown = item deliverable

³⁾ L = light series; ⁴⁾ S = heavy series

$\frac{\text{PN (bar)}}{10} = \text{PN (MPa)}$

Delivery without nut and ring. Information on ordering complete fittings or alternative sealing materials see page 17.

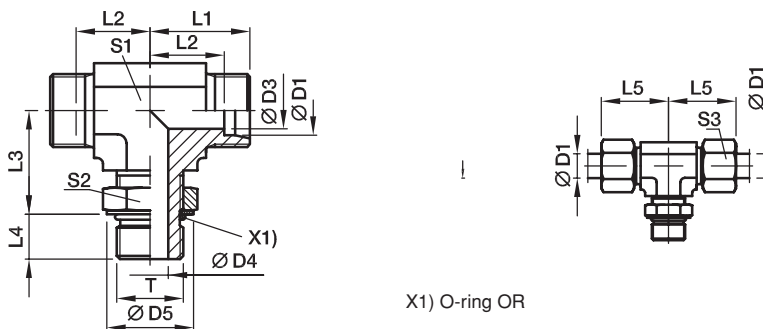
⁵⁾ Steel; ⁶⁾ Stainless Steel

*Please add the **suffixes** below according to the material/surface required.

Order code suffixes			
Material	Suffix surface and material	Example	Standard sealing material (no additional suffix needed)
Steel, zinc plated, chrome ⁶⁾ -free	CF	TEE16SROMDCF	NBR
Steel, zinc yellow plated	A3C	TEE16SROMDA3C	NBR
Stainless Steel	71	TEE16SRBOMD71	VIT

TEE-UNF Adjustable locknut branch tee

EO 24° cone end / Adjustable UN/UNF thread – O-ring (ISO 11926)



Series	D1	T	D3	D4	D5	L1	L2	L3	L4	L5	S1	S2	S3	Weight g/1 piece	Order code*	PN (bar) ¹⁾	
																CF	A3C
L ³⁾	06	7/16-20 UNF-2A	4	4.5	16.5	21	14	19	10	29	14	14	14	58	TEE06L7/16UNFOMD	315	315
	08	7/16-20 UNF-2A	6	4.5	18.3	23	16	19	10	31	14	14	17	60	TEE08L7/16UNFOMD	315	315
	10	9/16-18 UNF-2A	8	7.5	20.2	24	17	24	10	32	19	17	19	102	TEE10L9/16UNFOMD	315	315
	12	9/16-18 UNF-2A	10	7.5	25.7	26	19	25	11	34	19	17	22	103	TEE12L9/16UNFOMD	315	315
	12	3/4-16 UNF-2A	10	10.0	25.7	26	19	25	13	34	19	22	22	118	TEE12L3/4UNFOMD	315	315
	15	3/4-16 UNF-2A	12	10.0	25.7	28	21	28	13	36	22	22	27	164	TEE15L3/4UNFOMD	315	315
	15	7/8-14 UNF-2A	12	12.5	29.3	28	21	28	15	36	22	27	27	182	TEE15L7/8UNFOMD	315	315
	18	7/8-14 UNF-2A	15	12.5	29.3	31	24	32	15	40	27	27	32	265	TEE18L7/8UNFOMD	315	315
	18	1 1/16-12 UN-2A	15	15.5	29.3	31	24	32	17	40	30	32	32	348	TEE18L11/16UNOMD	315	315
	22	1 1/16-12 UN-2A	19	15.5	36.7	35	28	35	17	44	30	32	36	354	TEE22L11/16UNOMD	160	160
	28	1 5/16-12 UN-2A	24	21.5	44.0	38	31	42	17	47	36	41	41	625	TEE28L15/16UNOMD	160	160
	35	1 5/8-12 UN-2A	30	27.5	55.0	48	38	46	17	59	50	50	50	1245	TEE35L15/8UNOMD	160	160
	42	1 7/8-12 UN-2A	36	33.5	55.0	49	38	47	17	61	50	55	60	1538	TEE42L17/8UNOMD	160	160
	S ⁴⁾	06	7/16-20 UNF-2A	4	4.5	16.5	22	15	20	12	30	14	14	17	69	TEE06S7/16UNFOMD	400
08		9/16-18 UNF-2A	5	7.5	18.3	24	17	25	12	32	19	17	19	116	TEE08S9/16UNFOMD	400	400
10		9/16-18 UNF-2A	7	7.5	20.2	25	18	26	12	34	19	17	22	120	TEE10S9/16UNFOMD	400	400
12		3/4-16 UNF-2A	8	10.0	25.7	29	22	30	14	38	22	22	24	195	TEE12S3/4UNFOMD	400	400
16		7/8-14 UNF-2A	12	12.5	29.3	33	25	34	16	43	27	27	30	294	TEE16S7/8UNFOMD	400	400
20		1 1/16-12 UN-2A	16	15.5	36.7	38	28	37	19	49	30	32	36	441	TEE20S11/16UNOMD	400	400
25		1 1/16-12 UN-2A	20	15.5	44.0	42	30	50	19	54	36	32	46	628	TEE25S11/16UNOMD	400	400
30		1 5/8-12 UN-2A	25	27.5	55.0	49	36	50	19	62	50	50	50	1276	TEE30S15/8UNOMD	250	250
38		1 7/8-12 UN-2A	32	33.5	55.0	50	34	51	19	65	50	55	60	1256	TEE38S17/8UNOMD	250	250

1) Pressure shown = item deliverable

3) L = light series; 4) S = heavy series

$$\frac{PN \text{ (bar)}}{10} = PN \text{ (MPa)}$$

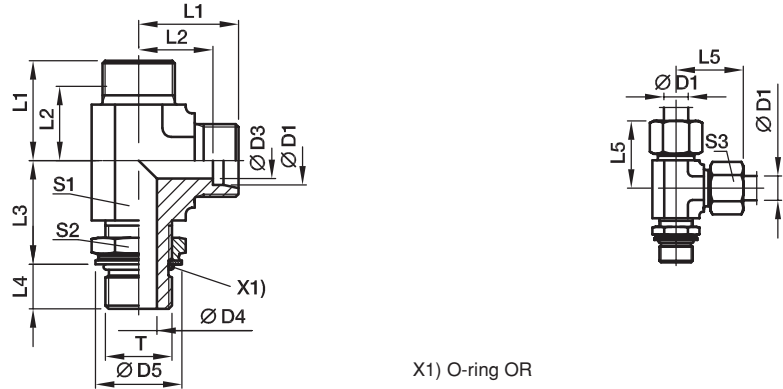
Delivery without nut and ring. Information on ordering complete fittings or alternative sealing materials see page 17.

Order code suffixes			
Material	Suffix surface and material	Example	Standard sealing material (no additional suffix needed)
Steel, zinc plated, chrome ⁶ -free	CF	TEE16S7/8UNFOMDCF	NBR
Steel, zinc yellow plated	A3C	TEE16S7/8UNFOMDA3C	NBR

*Please add the **suffixes** below according to the material/surface required.

LEE-OR Adjustable locknut run tee

EO 24° cone end / Adjustable metric thread – O-ring (ISO 6149)



X1) O-ring OR

Series	D1 	T	D3	D4	D5	L1	L2	L3	L4	L5	S1	S2	S3	Weight g/1 piece	Order code*	PN (bar) ¹⁾	
																CF	A3C
L ³⁾	06	M10×1	4	4.5	15	21	14	20	7	29	14	14	14	52	LEE06LMOROMD	315	315
	08	M12×1.5	6	6.0	18	23	16	22	10	31	14	17	17	64	LEE08LMOROMD	315	315
	10	M14×1.5	8	7.5	20	24	17	25	10	32	19	19	19	100	LEE10LMOROMD	315	315
	12	M16×1.5	10	9.0	23	26	19	26	10	34	19	22	22	111	LEE12LMOROMD	315	315
	15	M18×1.5	12	11.0	25	28	21	30	11	36	22	24	27	166	LEE15LMOROMD	315	315
	18	M22×1.5	15	14.0	28	31	24	33	12	40	27	27	32	251	LEE18LMOROMD	315	315
	22	M27×2	19	18.0	33	35	28	35	14	44	30	32	36	334	LEE22LM27X2OROMD	160	160
	28	M33×2	24	23.0	41	38	31	38	14	47	36	41	41	458	LEE28LMOROMD	160	160
	35	M42×2	30	30.0	51	48	38	48	14	59	50	50	50	1127	LEE35LMOROMD	160	160
	42	M48×2	36	36.0	56	49	38	49	16	61	50	55	60	941	LEE42LMOROMD	160	160
S ⁴⁾	06	M12×1.5	4	4.0	18	22	15	22	10	30	14	17	17	72	LEE06SMOROMD	400	400
	08	M14×1.5	5	6.0	20	24	17	26	10	32	19	19	19	117	LEE08SMOROMD	400	400
	10	M16×1.5	7	7.0	23	25	18	27	11	34	19	22	22	128	LEE10SMOROMD	400	400
	12	M18×1.5	8	9.0	25	29	22	31	12	38	22	24	24	184	LEE12SMOROMD	400	400
	16	M22×1.5	12	12.0	28	33	25	35	14	43	27	27	30	300	LEE16SMOROMD	400	400
	20	M27×2	16	15.0	33	38	28	35	16	49	30	32	36	433	LEE20SMOROMD	400	400
	25	M33×2	20	20.0	41	42	30	44	16	54	36	41	46	644	LEE25SMOROMD	315	315
	30	M42×2	25	26.0	51	49	36	51	17	62	50	50	50	1347	LEE30SMOROMD	250	250
	38	M48×2	32	32.0	56	50	34	54	19	65	50	55	60	1317	LEE38SMOROMD	200	200

¹⁾ Pressure shown = item deliverable

³⁾ L = light series; ⁴⁾ S = heavy series

$$\frac{\text{PN (bar)}}{10} = \text{PN (MPa)}$$

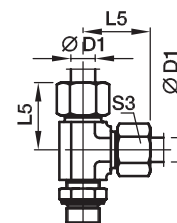
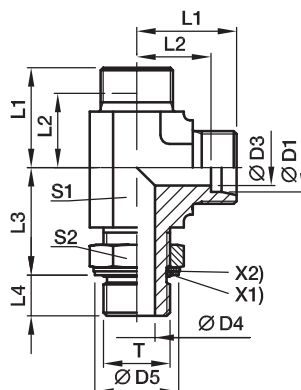
Delivery without nut and ring. Information on ordering complete fittings or alternative sealing materials see page 17.

*Please add the **suffixes** below according to the material/surface required.

Order code suffixes			
Material	Suffix surface and material	Example	Standard sealing material (no additional suffix needed)
Steel, zinc plated, chrome ⁶ -free	CF	LEE16SMOROMDCF	NBR
Steel, zinc yellow plated	A3C	LEE16SMOROMDA3C	NBR

LEE-M Adjustable locknut run tee

EO 24° cone end / Adjustable metric thread – O-ring + retaining ring



X1) O-ring OR
X2) retaining ring

Series	D1	T	D3	D4	D5	L1	L2	L3	L4	L5	S1	S2	S3	Weight g/1 piece	Order code*	PN (bar) ¹⁾		
																CF	A3C	71
L ³⁾	06	M10×1	4	4.5	15	21	14	20	7	29	14	13	14	52	LEE06LMOMD	315	315	315
	08	M12×1.5	6	6.0	18	23	16	22	10	31	14	17	17	65	LEE08LMOMD	315	315	315
	10	M14×1.5	8	7.5	20	24	17	25	9	32	19	17	19	98	LEE10LMOMD	315	315	315
	12	M16×1.5	10	9.0	23	26	19	26	9	34	19	19	22	107	LEE12LMOMD	315	315	315
	15	M18×1.5	12	11.0	25	28	21	30	11	36	22	22	27	165	LEE15LMOMD	315	315	315
	18	M22×1.5	15	14.0	28	31	24	33	11	40	27	27	32	254	LEE18LMOMD	250	250	250
	22	M27×2	19	18.0	33	35	28	35	14	44	30	32	36	338	LEE22LM27X20MD	160	160	160
	28	M33×2	24	23.0	41	38	31	38	14	47	36	38	41	454	LEE28LMOMD	160	160	160
	35	M42×2	30	30.0	51	48	38	48	14	59	50	50	50	1139	LEE35LMOMD	160	160	160
	42	M48×2	36	36.0	56	49	38	49	16	61	50	55	60	1011	LEE42LMOMD	160	160	160
S ⁴⁾	06	M12×1.5	4	4.0	18	22	15	22	10	30	14	17	17	72	LEE06SMOMD	315	315	315
	08	M14×1.5	5	6.0	20	24	17	26	10	32	19	17	19	114	LEE08SMOMD	315	315	315
	10	M16×1.5	7	7.0	23	25	18	27	11	34	19	19	22	122	LEE10SMOMD	315	315	315
	12	M18×1.5	8	9.0	25	29	22	31	12	38	22	22	24	176	LEE12SMOMD	315	315	315
	16	M22×1.5	12	12.0	28	33	25	35	14	43	27	27	30	297	LEE16SMOMD	250	250	250
	20	M27×2	16	15.0	33	38	28	39	16	49	30	32	36	428	LEE20SMOMD	250	250	250
	25	M33×2	20	20.0	41	42	30	44	16	54	36	38	46	621	LEE25SMOMD	160	160	160
	30	M42×2	25	26.0	51	49	36	51	17	62	50	50	50	1335	LEE30SMOMD	160	160	160
	38	M48×2	32	32.0	56	50	34	54	19	65	50	55	60	1293	LEE38SMOMD	160	160	160

¹⁾ Pressure shown = item deliverable

³⁾ L = light series; ⁴⁾ S = heavy series

$$\frac{\text{PN (bar)}}{10} = \text{PN (MPa)}$$

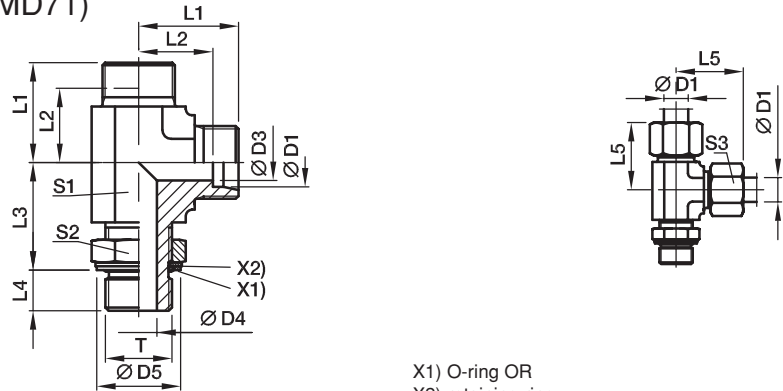
Delivery without nut and ring. Information on ordering complete fittings or alternative sealing materials see page 17.

*Please add the **suffixes** below according to the material/surface required.

Order code suffixes			
Material	Suffix surface and material	Example	Standard sealing material (no additional suffix needed)
Steel, zinc plated, chrome ³⁾ -free	CF	LEE16SMOMDCF	NBR
Steel, zinc yellow plated	A3C	LEE16SMOMDA3C	NBR
Stainless Steel	71	LEE16SMOMD71	VIT

LEE-R Adjustable locknut run tee

EO 24° cone end / Adjustable BSPB thread – O-ring + retaining ring (ISO 1179)
 for ports with small or wide spot face;
 differences in D5 in Stainless Steel are only for ports with wide spot face
 (e. g. LEE16SRBOMD71)



X1) O-ring OR
 X2) retaining ring

Series	D1	T	D3	D4	D5 ⁵⁾	D5 ⁶⁾	L1	L2	L3	L4	L5	S1	S2	S3	Weight g/1 piece	Order code*	PN (bar) ¹⁾		
																	CF	A3C	71
L ³⁾	06	G 1/8A	4	4.5	15	15.0	21	14	19	7	29	14	14	14	53	LEE06LROMD	315	315	315
	08	G 1/4A	6	7.5	20	20.0	23	16	23	9	31	14	19	17	68	LEE08LROMD	315	315	315
	10	G 1/4A	8	7.5	20	20.0	24	17	25	9	32	19	19	19	98	LEE10LROMD	315	315	315
	12	G 3/8A	10	10.0	23	23.5	26	19	28	9	34	19	22	22	114	LEE12LROMD	250	250	250
	15	G 1/2A	12	12.5	28	28.5	28	21	30	13	36	22	27	27	183	LEE15LROMD	250	250	250
	18	G 1/2A	15	12.5	28	28.5	31	24	36	13	40	27	27	32	271	LEE18LROMD	250	250	250
	22	G 3/4A	19	15.5	33	34.5	35	28	36	13	44	30	36	36	367	LEE22LROMD	160	160	160
	28	G 1A	24	21.5	41	43.5	38	31	44	15	47	36	41	41	525	LEE28LROMD	160	160	160
	35	G 1 1/4A	30	27.5	51	52.5	48	38	50	15	59	50	50	50	1194	LEE35LROMD	160	160	160
	42	G 1 1/2A	36	33.0	56	60.0	49	38	52	15	61	50	55	60	1090	LEE42LROMD	160	160	160
S ⁴⁾	06	G 1/4A	4	7.5	20	20.0	22	15	23	9	30	14	19	17	71	LEE06SROMD	315	315	315
	08	G 1/4A	5	7.5	20	20.0	24	17	27	9	32	19	19	19	113	LEE08SROMD	315	315	315
	10	G 3/8A	7	10.0	23	23.5	25	18	29	9	34	19	22	22	124	LEE10SROMD	250	250	250
	12	G 3/8A	8	10.0	23	23.5	29	22	29	9	38	22	22	24	167	LEE12SROMD	250	250	250
	16	G 1/2A	12	12.5	28	28.5	33	25	36	13	43	27	27	30	295	LEE16SROMD	250	250	250
	20	G 3/4A	16	15.5	33	34.5	38	28	39	12	49	30	36	36	440	LEE20SROMD	250	250	250
	25	G 1A	20	21.5	41	43.5	42	30	44	14	54	36	41	46	629	LEE25SROMD	250	250	250
	30	G 1 1/4A	25	27.5	51	52.5	49	36	49	15	62	50	50	50	1285	LEE30SROMD	160	160	160
	38	G 1 1/2A	32	33.0	56	60.0	50	34	55	15	65	50	55	60	1272	LEE38SROMD	160	160	160

1) Pressure shown = item deliverable

3) L = light series; 4) S = heavy series

$$\frac{\text{PN (bar)}}{10} = \text{PN (MPa)}$$

Delivery without nut and ring. Information on ordering complete fittings or alternative sealing materials see page I7.

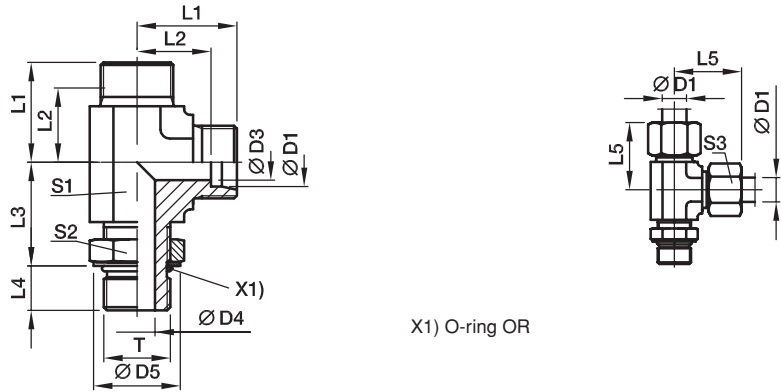
5) Steel; 6) Stainless Steel

Order code suffixes			
Material	Suffix surface and material	Example	Standard sealing material (no additional suffix needed)
Steel, zinc plated, chrome ⁶⁾ -free	CF	LEE16SROMDCF	NBR
Steel, zinc yellow plated	A3C	LEE16SROMDA3C	NBR
Stainless Steel	71	LEE16SRBOMD71	VIT

*Please add the **suffixes** below according to the material/surface required.

LEE-UNF Adjustable locknut run tee

EO 24° cone end / Adjustable UN/UNF thread – O-Ring (ISO 11926)



Series	D1	T	D3	D4	D5	L1	L2	L3	L4	L5	S1	S2	S3	Weight g/1 piece	Order code*	PN (bar) ¹⁾	
																CF	A3C
L ³⁾	06	7/16-20 UNF-2A	4	4.5	16.5	21	14	19	10	29	14	14	14	57	LEE06L7/16UNFOMD	315	315
	08	7/16-20 UNF-2A	6	4.5	18.3	23	16	19	10	31	14	14	17	61	LEE08L7/16UNFOMD	315	315
	10	9/16-18 UNF-2A	8	7.5	20.2	24	17	24	10	32	19	17	19	101	LEE10L9/16UNFOMD	315	315
	12	9/16-18 UNF-2A	10	7.5	25.7	26	19	25	11	34	19	17	22	106	LEE12L9/16UNFOMD	315	315
	12	3/4-16 UNF-2A	10	10.0	25.7	26	19	25	13	34	19	22	22	122	LEE12L3/4UNFOMD	315	315
	15	3/4-16 UNF-2A	12	10.0	25.7	28	21	28	13	36	22	22	27	166	LEE15L3/4UNFOMD	315	315
	15	7/8-14 UNF-2A	12	12.5	29.3	28	21	28	15	36	22	27	27	183	LEE15L7/8UNFOMD	315	315
	18	7/8-14 UNF-2A	15	12.5	29.3	31	24	32	15	40	27	27	32	263	LEE18L7/8UNFOMD	315	315
	18	1 1/16-12 UN-2A	15	15.5	29.3	31	24	32	17	40	30	32	32	335	LEE18L11/16UNOMD	315	315
	22	1 1/16-12 UN-2A	19	15.5	36.7	35	28	35	17	44	30	32	36	355	LEE22L11/16UNOMD	160	160
	28	1 5/16-12 UN-2A	24	21.5	44.0	38	31	42	17	47	36	41	41	625	LEE28L15/16UNOMD	160	160
	35	1 5/8-12 UN-2A	30	27.5	55.0	48	38	46	17	59	50	50	50	1245	LEE35L15/8UNOMD	160	160
	42	1 7/8-12 UN-2A	36	33.5	55.0	49	38	47	17	61	50	55	60	1538	LEE42L17/8UNOMD	160	160
	S ⁴⁾	06	7/16-20 UNF-2A	4	4.5	16.5	22	15	20	12	30	14	14	17	66	LEE06S7/16UNFOMD	400
08		9/16-18 UNF-2A	5	7.5	18.3	24	17	25	12	32	19	17	19	114	LEE08S9/16UNFOMD	400	400
10		9/16-18 UNF-2A	7	7.5	20.2	25	18	26	12	34	19	17	22	118	LEE10S9/16UNFOMD	400	400
12		3/4-16 UNF-2A	8	10.0	25.7	29	22	30	14	38	22	22	24	185	LEE12S3/4UNFOMD	400	400
16		7/8-14 UNF-2A	12	12.5	29.3	33	25	34	16	43	27	27	30	291	LEE16S7/8UNFOMD	400	400
20		1 1/16-12 UN-2A	16	15.5	36.7	38	28	37	19	49	30	32	36	453	LEE20S11/16UNOMD	400	400
25		1 1/16-12 UN-2A	20	15.5	44.0	42	30	50	19	54	36	32	46	589	LEE25S11/16UNOMD	400	400
30		1 5/8-12 UN-2A	25	27.5	55.0	49	36	50	19	62	50	50	50	1276	LEE30S15/8UNOMD	250	250
38		1 7/8-12 UN-2A	32	33.5	55.0	50	34	51	19	65	50	55	60	1256	LEE38S17/8 UNOMD	250	250

1) Pressure shown = item deliverable

3) L = light series; 4) S = heavy series

$$\frac{\text{PN (bar)}}{10} = \text{PN (MPa)}$$

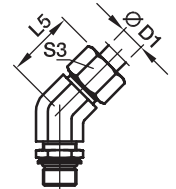
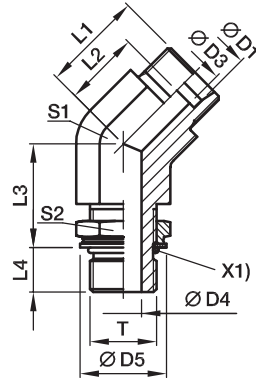
Delivery without nut and ring. Information on ordering complete fittings or alternative sealing materials see page I7.

Order code suffixes			
Material	Suffix surface and material	Example	Standard sealing material (no additional suffix needed)
Steel, zinc plated, chrome ⁶ -free	CF	LEE16S7/8UNFOMDCF	NBR
Steel, zinc yellow plated	A3C	LEE16S7/8UNFOMDA3C	NBR

*Please add the **suffixes** below according to the material/surface required.

VEE-OR Adjustable locknut 45° elbow

EO 24° cone end / Adjustable metric thread – O-ring (ISO 6149)



X1) O-ring OR

Series	D1	T	D3	D4	D5	L1	L2	L3	L4	L5	S1	S2	S3	Weight g/1 piece	Order code*	PN (bar) ¹⁾	
																CF	A3C
L ³⁾	06	M10×1	4	4.5	15	16	9	20	8	24	14	14	14	45	VEE06LMOROMD	315	315
	08	M12×1.5	6	6.0	18	19	12	18	11	27	14	17	17	42	VEE08LMOROMD	315	315
	10	M14×1.5	8	7.5	20	19	12	22	11	27	19	19	19	73	VEE10LMOROMD	315	315
	12	M16×1.5	10	9.0	23	21	14	23	11	28	19	22	22	81	VEE12LMOROMD	315	315
	15	M18×1.5	12	11.0	25	24	17	23	12	32	22	24	27	122	VEE15LMOROMD	315	315
	18	M22×1.5	15	14.0	28	24	17	30	12	33	27	27	32	178	VEE18LMOROMD	315	315
	22	M27×2	19	18.0	33	26	19	30	15	35	30	32	36	217	VEE22LM27X20ROMD	160	160
	28	M33×2	24	23.0	41	31	23	34	15	40	36	41	41	364	VEE28LMOROMD	160	160
	35	M42×2	30	30.0	51	37	27	36	15	48	50	50	50	728	VEE35LMOROMD	160	160
	42	M48×2	36	36.0	56	37	26	36	17	49	50	55	60	690	VEE42LMOROMD	160	160
S ⁴⁾	06	M12×1.5	4	4.0	18	16	9	18	11	24	14	17	17	44	VEE06SMOROMD	400	400
	08	M14×1.5	5	6.0	20	19	12	18	11	27	19	19	19	72	VEE08SMOROMD	400	400
	10	M16×1.5	7	7.0	23	21	13	22	12	29	19	22	22	93	VEE10SMOROMD	400	400
	12	M18×1.5	8	9.0	25	24	17	23	14	33	22	24	24	130	VEE12SMOROMD	400	400
	16	M22×1.5	12	12.0	28	24	16	20	14	34	27	27	30	196	VEE16SMOROMD	400	400
	20	M27×2	16	15.0	33	27	16	33	18	38	30	32	36	290	VEE20SMOROMD	400	400
	25	M33×2	20	20.0	41	31	19	35	18	43	36	41	46	446	VEE25SMOROMD	315	315
	30	M42×2	25	26.0	51	37	24	36	18	50	50	50	50	811	VEE30SMOROMD	250	250
	38	M48×2	32	32.0	56	37	21	36	21	52	50	55	60	850	VEE38SMOROMD	200	200

¹⁾ Pressure shown = item deliverable

³⁾ L = light series; ⁴⁾ S = heavy series

$$\frac{\text{PN (bar)}}{10} = \text{PN (MPa)}$$

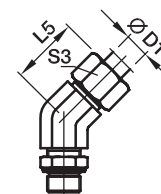
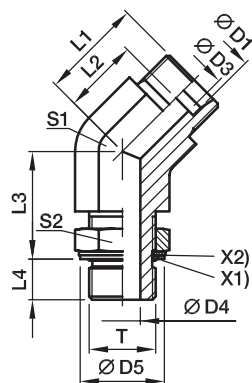
Delivery without nut and ring. Information on ordering complete fittings or alternative sealing materials see page 17.

*Please add the **suffixes** below according to the material/surface required.

Order code suffixes			
Material	Suffix surface and material	Example	Standard sealing material (no additional suffix needed)
Steel, zinc plated, chrome ⁶⁻ -free	CF	VEE16SMOROMDCF	NBR
Steel, zinc yellow plated	A3C	VEE16SMOROMDA3C	NBR

VEE-M Adjustable locknut 45° elbow

EO 24° cone end / Adjustable metric thread – O-ring + retaining ring



X1) O-ring OR
X2) retaining ring

Series	D1	T	D3	D4	D5	L1	L2	L3	L4	L5	S1	S2	S3	Weight g/1 piece	Order code*	PN (bar) ¹⁾		
																CF	A3C	71
L ³⁾	06	M10×1	4	4.5	15	16	9	20	8	24	14	13	14	39	VEE06LMOMD	315	315	315
	08	M12×1.5	6	6.0	18	19	12	18	11	27	14	17	17	49	VEE08LMOMD	315	315	315
	10	M14×1.5	8	7.5	20	19	12	22	11	27	19	17	19	71	VEE10LMOMD	315	315	315
	12	M16×1.5	10	9.0	23	21	14	23	11	28	19	19	22	78	VEE12LMOMD	315	315	315
	15	M18×1.5	12	11.0	25	24	17	23	12	32	22	22	27	121	VEE15LMOMD	315	315	315
	18	M22×1.5	15	14.0	28	24	17	30	12	33	27	27	32	180	VEE18LMOMD	250	250	250
	22	M27×2	19	18.0	33	26	19	30	15	35	30	32	36	221	VEE22LM27X2OMD	160	160	160
	28	M33×2	24	23.0	41	31	23	34	15	40	36	38	41	360	VEE28LMOMD	160	160	160
	35	M42×2	30	30.0	51	37	27	36	15	48	50	50	50	741	VEE35LMOMD	160	160	160
	42	M48×2	36	36.0	56	37	26	36	17	49	50	55	60	688	VEE42LMOMD	160	160	160
S ⁴⁾	06	M12×1.5	4	4.0	18	16	9	18	11	24	14	17	17	44	VEE06SMOMD	315	315	315
	08	M14×1.5	5	6.0	20	19	12	18	11	27	19	17	19	69	VEE08SMOMD	315	315	315
	10	M16×1.5	7	7.0	23	21	13	22	12	29	19	19	22	86	VEE10SMOMD	315	315	315
	12	M18×1.5	8	9.0	25	24	17	23	14	33	22	22	24	123	VEE12SMOMD	315	315	315
	16	M22×1.5	12	12.0	28	24	16	30	14	34	27	27	30	192	VEE16SMOMD	250	250	250
	20	M27×2	16	15.0	33	27	16	33	18	38	30	32	36	285	VEE20SMOMD	250	250	250
	25	M33×2	20	20.0	41	31	19	35	18	43	36	38	46	425	VEE25SMOMD	160	160	160
	30	M42×2	25	26.0	51	37	24	36	18	50	50	50	50	799	VEE30SMOMD	160	160	160
	38	M48×2	32	32.0	56	37	21	36	21	52	50	55	60	825	VEE38SMOMD	160	160	160

¹⁾ Pressure shown = item deliverable

³⁾ L = light series; ⁴⁾ S = heavy series

$$\frac{\text{PN (bar)}}{10} = \text{PN (MPa)}$$

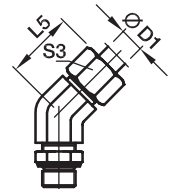
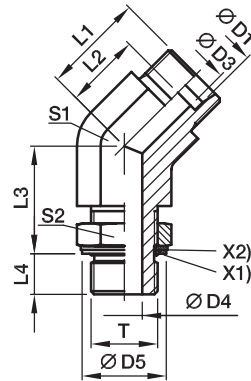
Delivery without nut and ring. Information on ordering complete fittings or alternative sealing materials see page 17.

*Please add the **suffixes** below according to the material/surface required.

Order code suffixes			
Material	Suffix surface and material	Example	Standard sealing material (no additional suffix needed)
Steel, zinc plated, chrome ³⁾ -free	CF	VEE16SMOMDCF	NBR
Steel, zinc yellow plated	A3C	VEE16SMOMDA3C	NBR
Stainless Steel	71	VEE16SMOMD71	VIT

VEE-R Adjustable locknut 45° elbow

EO 24° cone end / Adjustable BSP thread – O-ring + retaining ring (ISO 1179)
 for ports with small or wide spot face;
 differences in D5 in Stainless Steel are only for ports with wide spot face
 (e. g. VEE16SRBOMD71)



X1) O-ring OR
 X2) retaining ring

Series	D1	T	D3	D4	D5 ⁵⁾	D5 ⁶⁾	L1	L2	L3	L4	L5	S1	S2	S3	Weight g/1 piece	Order code*	PN (bar) ¹⁾		
																	CF	A3C	71
L ³⁾	06	G 1/8A	4	4.5	15	15.0	16	9	21	7	24	14	14	14	39	VEE06LROMD	315	315	315
	08	G 1/4A	6	7.5	20	20.0	19	12	20	9	27	14	19	17	46	VEE08LROMD	315	315	315
	10	G 1/4A	8	7.5	20	20.0	19	12	25	9	27	19	19	19	74	VEE10LROMD	315	315	315
	12	G 3/8A	10	10.0	23	23.5	21	14	28	9	28	19	22	22	85	VEE12LROMD	250	250	250
	15	G 1/2A	12	12.5	28	28.5	24	17	26	13	32	22	27	27	134	VEE15LROMD	250	250	250
	18	G 1/2A	15	12.5	28	28.5	24	17	32	13	33	27	27	32	189	VEE18LROMD	250	250	250
	22	G 3/4A	19	15.5	33	34.5	26	19	37	13	35	30	36	36	283	VEE22LROMD	160	160	160
	28	G 1A	24	21.5	41	43.5	31	23	37	15	40	36	41	41	410	VEE28LROMD	160	160	160
	35	G 1 1/4A	30	27.5	51	52.5	37	27	39	15	48	50	50	50	807	VEE35LROMD	160	160	160
	42	G 1 1/2A	36	33.0	56	60.0	37	26	39	15	49	50	55	60	762	VEE42LROMD	160	160	160
S ⁴⁾	06	G 1/4A	4	7.5	20	20.0	16	9	19	9	24	14	19	17	45	VEE06SROMD	315	315	315
	08	G 1/4A	5	7.5	20	20.0	19	12	23	9	27	19	19	19	76	VEE08SROMD	315	315	315
	10	G 3/8A	7	10.0	23	23.5	21	13	25	9	29	19	22	22	86	VEE10SROMD	250	250	250
	12	G 3/8A	8	10.0	23	23.5	24	17	25	9	33	22	22	24	115	VEE12SROMD	250	250	250
	16	G 1/2A	12	12.5	28	28.5	24	16	31	13	34	27	27	30	186	VEE16SROMD	250	250	250
	20	G 3/4A	16	15.5	33	34.5	27	16	34	12	38	30	36	36	286	VEE20SROMD	250	250	250
	25	G 1A	20	21.5	41	43.5	31	19	37	14	43	36	41	46	425	VEE25SROMD	250	250	250
	30	G 1 1/4A	25	27.5	51	52.5	37	24	38	15	50	50	50	50	793	VEE30SROMD	160	160	160
	38	G 1 1/2A	32	33.0	56	60.0	37	21	38	15	52	50	55	60	791	VEE38SROMD	160	160	160

1) Pressure shown = item deliverable

3) L = light series; 4) S = heavy series

$$\frac{PN(\text{bar})}{10} = PN(\text{MPa})$$

Delivery without nut and ring. Information on ordering complete fittings or alternative sealing materials see page I7.

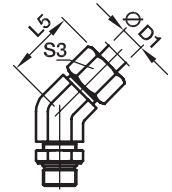
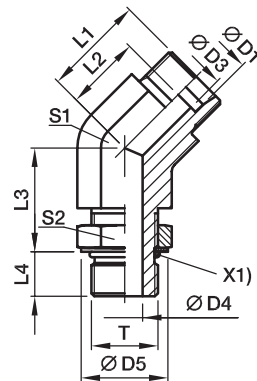
5) Steel; 6) Stainless Steel

*Please add the **suffixes** below according to the material/surface required.

Order code suffixes			
Material	Suffix surface and material	Example	Standard sealing material (no additional suffix needed)
Steel, zinc plated, chrome ⁶⁾ -free	CF	VEE16SROMDCF	NBR
Steel, zinc yellow plated	A3C	VEE16SROMDA3C	NBR
Stainless Steel	71	VEE16SRBOMD71	VIT

VEE-UNF Adjustable Locknut 45° elbow

EO 24° cone end / Adjustable UN/UNF thread – O-ring (ISO 11926)



X1) O-ring OR

Series	D1	T	D3	D4	D5	L1	L2	L3	L4	L5	S1	S2	S3	Weight g/1 piece	Order code*	PN (bar) ¹⁾	
																CF	A3C
L ³⁾	06	7/16-20 UNF-2A	4	4.5	16.5	16	9	19	10	24	14	14	14	36	VEE06L7/16UNFOMD	315	315
	08	7/16-20 UNF-2A	6	4.5	18.3	19	12	19	10	27	14	14	17	39	VEE08L7/16UNFOMD	315	315
	10	9/16-18 UNF-2A	8	7.5	20.2	19	12	24	10	27	19	17	19	58	VEE10L7/16UNFOMD	315	315
	12	9/16-18 UNF-2A	10	7.5	25.7	21	14	24	11	28	19	17	22	73	VEE12L9/16UNFOMD	315	315
	12	3/4-16 UNF-2A	10	10.0	25.7	21	14	24	13	28	19	22	22	91	VEE12L3/4UNFOMD	315	315
	15	3/4-16 UNF-2A	12	10.0	25.7	24	17	24	13	32	22	22	27	120	VEE15L3/4UNFOMD	315	315
	15	7/8-14 UNF-2A	12	12.5	29.3	24	17	24	15	32	22	27	27	140	VEE15L7/8UNFOMD	315	315
	18	7/8-14 UNF-2A	15	12.5	29.3	24	17	30	15	33	27	27	32	190	VEE18L7/8UNFOMD	315	315
	18	1 1/16-12 UN-2A	15	15.5	29.3	24	17	30	17	33	30	32	32	205	VEE18L11/16UNOMD	315	315
	22	1 1/16-12 UN-2A	19	15.5	36.7	26	19	33	17	35	30	32	36	274	VEE22L11/16UNOMD	160	160
	28	1 5/16-12 UN-2A	24	21.5	44.0	31	23	35	17	39	36	41	41	402	VEE28L15/16UNOMD	160	160
	35	1 5/8-12 UN-2A	30	27.5	55.0	37	27	37	17	48	50	50	50	794	VEE35L15/8UNOMD	160	160
42	1 7/8-12 UN-2A	36	33.5	55.0	37	26	37	17	49	50	55	60	751	VEE42L17/8UNOMD	160	160	
S ⁴⁾	06	7/16-20 UNF-2A	4	4.5	16.5	16	9	18	12	24	14	14	17	38	VEE06S7/16UNFOMD	400	400
	08	9/16-18 UNF-2A	5	7.5	18.3	19	12	21	12	27	19	17	19	78	VEE08S9/16UNFOMD	400	400
	10	9/16-18 UNF-2A	7	7.5	20.2	21	13	21	12	29	19	17	22	70	VEE10S9/16UNFOMD	400	400
	12	3/4-16 UNF-2A	8	10.0	25.7	24	17	22	14	33	22	22	24	124	VEE12S3/4UNFOMD	400	400
	16	7/8-14 UNF-2A	12	12.5	29.3	24	16	29	16	34	27	27	30	198	VEE16S7/8UNFOMD	400	400
	20	1 1/16-12 UN-2A	16	15.5	36.7	27	16	31	19	38	30	32	36	315	VEE20S11/16UNOMD	400	400
	25	1 1/16-12 UN-2A	20	15.5	44.0	31	30	33	19	54	36	32	46	385	VEE25S11/16UNOMD	400	400
	30	1 5/8-12 UN-2A	25	27.5	55.0	37	24	35	19	50	50	50	50	815	VEE30S15/8UNOMD	250	250
38	1 7/8-12 UN-2A	32	33.5	55.0	37	21	35	19	52	50	55	60	819	VEE38S17/8UNOMD	250	250	

¹⁾ Pressure shown = item deliverable

³⁾ L = light series; ⁴⁾ S = heavy series

$$\frac{PN \text{ (bar)}}{10} = PN \text{ (MPa)}$$

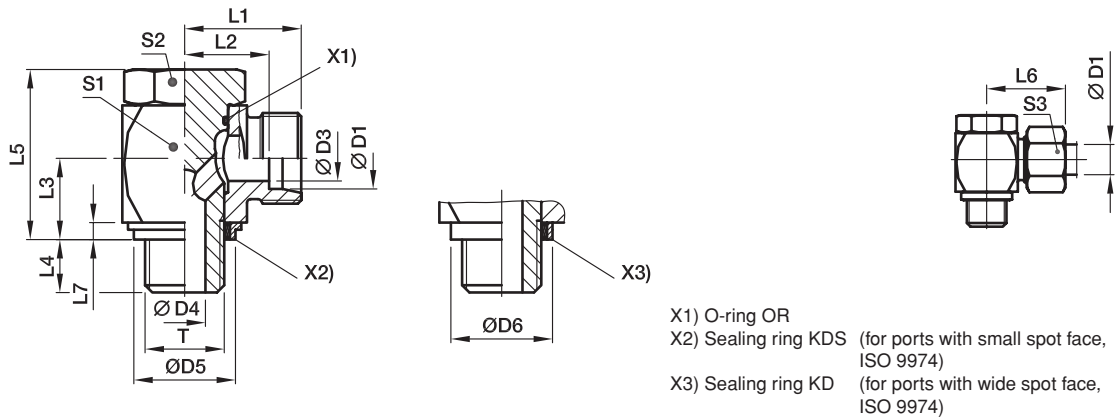
Delivery without nut and ring. Information on ordering complete fittings or alternative sealing materials see page 17.

*Please add the **suffixes** below according to the material/surface required.

Order code suffixes			
Material	Suffix surface and material	Example	Standard sealing material (no additional suffix needed)
Steel, zinc plated, chrome ⁶ -free	CF	VEE16S7/8UNFOMDCF	NBR
Steel, zinc yellow plated	A3C	VEE16S7/8UNFOMDA3C	NBR

WH-M-KDS High pressure banjo elbow

EO 24° cone end / Male metric thread with soft seal ring



Series	D1	T	D3	D4	D5 KDS	D6 KD	L1	L2	L3	L4	L5	L6	L7	S1	S2	S3	Weight g/1 piece	Order code*	PN (bar) ¹⁾			
																			CF	A3C	71	
L ³⁾	06	M10×1	4	4.5	14.9	17.0	19.0	12.0	10.5	8	24.0	27	2.5	17	17	14	54	WH06LMKDSOMD	315	315	315	
	08	M12×1.5	6	6.0	17.0	22.0	21.5	14.5	14.0	12	30.0	29	3.0	22	19	17	97	WH08LMKDSOMD	315	315	315	
	10	M14×1.5	8	6.0	18.9	22.5	22.5	15.5	14.0	12	30.0	30	3.0	22	19	19	104	WH10LMKDSOMD	315	315	315	
	12	M16×1.5	10	7.5	21.9	27.0	25.0	18.0	16.5	12	36.0	33	3.0	27	24	22	180	WH12LMKDSOMD	315	315	315	
	15	M18×1.5	11	9.0	23.9	29.0	27.5	21.5	18.5	12	39.5	37	3.0	30	30	27	244	WH15LMKDSOMD	315	315	315	
	18	M22×1.5	15	12.0	26.9	32.0	28.5	21.0	21.5	14	45.0	37	4.5	32	30	32	327	WH18LMKDSOMD	315	315	315	
	22	M26×1.5	19	17.0	31.9	41.0	35.0	27.5	24.0	16	53.0	44	3.5	41	36	36	573	WH22LMKDSOMD	160	160	160	
	28	M33×2	24	21.0	39.9	46.0	39.5	32.0	30.5	18	66.0	49	3.5	50	46	41	1017	WH28LMKDSOMD	160	160	160	
	35	M42×2	30	27.0	49.9	57.0	46.5	36.0	35.5	20	76.0	58	3.5	60	55	50	1512	WH35LMKDSOMD	160	160	160	
	42	M48×2	36	34.0	55.9	64.0	51.5	40.5	40.5	22	87.0	63	3.5	70	60	60	2217	WH42LMKDSOMD	160	160	160	
	S ⁴⁾	06	M12×1.5	4	6.0	17.0	22.0	23.5	16.5	14.0	12	30.0	31	3.0	22	19	17	104	WH06SMKDSOMD	400	400	400
		08	M14×1.5	5	6.0	18.9	22.5	23.5	16.5	14.0	12	30.0	31	3.0	22	19	19	110	WH08SMKDSOMD	400	400	400
		10	M16×1.5	7	7.5	21.9	27.0	26.0	18.5	16.5	12	36.0	35	3.0	27	24	22	186	WH10SMKDSOMD	400	400	400
		12	M18×1.5	8	9.0	23.9	29.0	27.5	20.0	18.5	12	39.5	36	3.0	27	27	24	246	WH12SMKDSOMD	400	400	400
		14	M20×1.5	10	10.0		32.0	30.5	22.5	20.0	14	43.5	40	3.0	32	30	27	322	WH14SMKDSOMD			400
16		M22×1.5	12	12.0	26.9	32.0	30.5	22.0	21.5	14	45.0	40	4.5	32	30	30	327	WH16SMKDSOMD	315	315	315	
20		M27×2	16	16.0	32.9	41.0	37.0	26.5	24.0	16	53.0	48	3.5	41	36	36	598	WH20SMKDSOMD	315	315	315	
25		M33×2	20	21.0	39.9	46.0	43.5	31.5	30.5	18	66.0	56	3.5	50	46	46	1055	WH25SMKDSOMD	250	250	250	
30		M42×2	25	27.0	49.9	57.0	50.5	37.0	35.5	20	76.0	64	3.5	60	55	50	1572	WH30SMKDSOMD	160	160	160	
38		M48×2	32	34.0	55.9	64.0	57.5	41.5	40.5	22	87.0	72	3.5	70	60	60	2317	WH38SMKDSOMD	160	160	160	

1) Pressure shown = item deliverable

3) L = light series; 4) S = heavy series

$$\frac{PN(\text{bar})}{10} = PN(\text{MPa})$$

Delivery without nut and ring. Information on ordering complete fittings or alternative sealing materials see page 17.

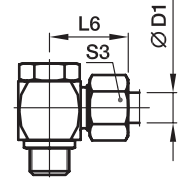
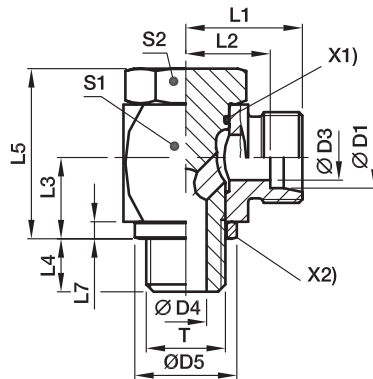
*Please add the **suffixes** below according to the material/surface required.

Order code suffixes			
Material	Suffix surface and material	Example	Standard sealing material (no additional suffix needed)
Steel, zinc plated, chrome ²⁾ -free	CF	WH16SMKDSOMDCF	NBR
Steel, zinc yellow plated	A3C	WH16SMKDSOMDA3C	NBR
Stainless Steel	71	WH16SMKD OMD 71	VIT/PTFE

Stainless Steel only with sealing ring **KD** available!
Replace KDS by **KD** in the order code.

WH-M High pressure banjo elbow

EO 24° cone end / Male metric thread with metal sealing ring



X1) O-ring OR
X2) Sealing ring DKA

Series	D1	T	D3	D4	D5	L1	L2	L3	L4	L5	L6	L7	S1	S2	S3	Weight g/1 piece	Order code*	PN (bar) ¹⁾		
																		CF	A3C	71
L ³⁾	06	M10×1	4	4.5	14	19.0	12.0	10.5	8	24.0	27	2.5	17	17	14	54	WH06LMOMD	250	250	250
	08	M12×1.5	6	6.0	17	21.5	14.5	14.0	12	30.0	29	3.0	22	19	17	97	WH08LMOMD	250	250	250
	10	M14×1.5	8	6.0	19	22.5	15.5	14.0	12	30.0	30	3.0	22	19	19	104	WH10LMOMD	250	250	250
	12	M16×1.5	10	7.5	21	25.0	18.0	16.5	12	36.0	33	3.0	27	24	22	180	WH12LMOMD	250	250	250
	15	M18×1.5	11	9.0	23	27.5	21.5	18.5	12	39.5	37	3.0	30	30	27	243	WH15LMOMD	250	250	250
	18	M22×1.5	15	12.0	27	28.5	21.0	21.5	14	45.0	37	4.5	32	30	32	326	WH18LMOMD	250	250	250
	22	M26×1.5	19	17.0	31	35.0	27.5	24.0	16	53.0	44	3.5	41	36	36	574	WH22LMOMD	160	160	160
	28	M33×2	24	21.0	39	39.5	32.0	30.5	18	66.0	49	3.5	50	46	41	1016	WH28LMOMD	160	160	160
	35	M42×2	30	27.0	49	46.5	36.0	35.5	20	76.0	58	3.5	60	55	50	1512	WH35LMOMD	160	160	160
	42	M48×2	36	34.0	55	51.5	40.5	40.5	22	87.0	63	3.5	70	60	60	2216	WH42LMOMD	160	160	160
S ⁴⁾	06	M12×1.5	4	6.0	17	23.5	16.5	14.0	12	30.0	31	3.0	22	19	17	104	WH06SMOMD	315	315	315
	08	M14×1.5	5	6.0	19	23.5	16.5	14.0	12	30.0	31	3.0	22	19	19	111	WH08SMOMD	315	315	315
	10	M16×1.5	7	7.5	21	26.0	18.5	16.5	12	36.0	35	3.0	27	24	22	186	WH10SMOMD	315	315	315
	12	M18×1.5	8	9.0	23	27.5	20.0	18.5	12	39.5	36	3.0	27	27	24	246	WH12SMOMD	315	315	315
	14	M20×1.5	10	10.0	25	30.5	22.5	20.0	14	43.5	40	3.0	32	30	27	320	WH14SMOMD	315	315	315
	16	M22×1.5	12	12.0	27	30.5	22.0	21.5	14	45.0	40	4.5	32	30	30	326	WH16SMOMD	315	315	315
	20	M27×2	16	16.0	32	37.0	26.5	24.0	16	53.0	48	3.5	41	36	36	596	WH20SMOMD	160	160	160
	25	M33×2	20	21.0	39	43.5	31.5	30.5	18	66.0	56	3.5	50	46	46	1055	WH25SMOMD	160	160	160
	30	M42×2	25	27.0	49	50.5	37.0	35.5	20	76.0	64	3.5	60	55	50	1572	WH30SMOMD	160	160	160
	38	M48×2	32	34.0	55	57.5	41.5	40.5	22	87.0	72	3.5	70	60	60	2316	WH38SMOMD	160	160	160

¹⁾ Pressure shown = item deliverable

³⁾ L = light series; ⁴⁾ S = heavy series

$$\frac{\text{PN (bar)}}{10} = \text{PN (MPa)}$$

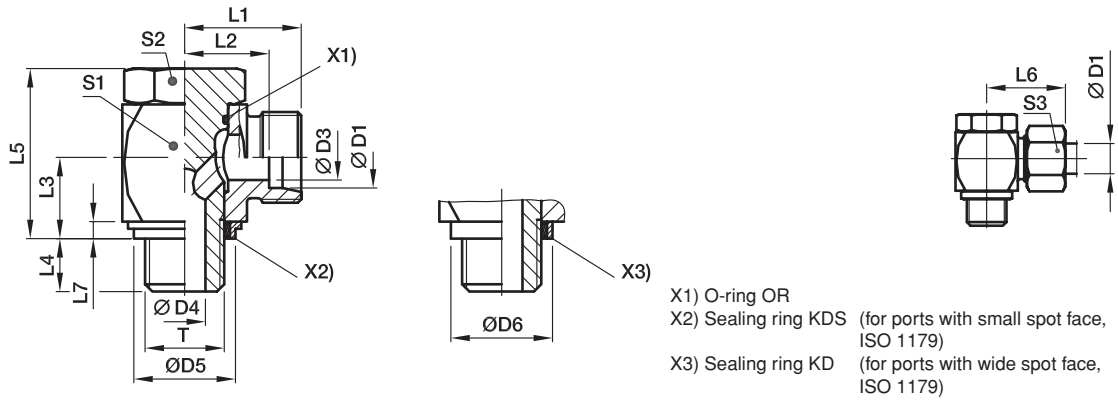
Delivery without nut and ring. Information on ordering complete fittings or alternative sealing materials see page 17.

*Please add the **suffixes** below according to the material/surface required.

Order code suffixes			
Material	Suffix surface and material	Example	Standard sealing material (no additional suffix needed)
Steel, zinc plated, chrome ⁶⁾ -free	CF	WH16SMOMDCF	NBR
Steel, zinc yellow plated	A3C	WH16SMOMDA3C	NBR
Stainless Steel	71	WH16SMOMD71	VIT

WH-R-KDS High pressure banjo elbow

EO 24° cone end / Male BSPP thread with soft seal ring



X1) O-ring OR
 X2) Sealing ring KDS (for ports with small spot face, ISO 1179)
 X3) Sealing ring KD (for ports with wide spot face, ISO 1179)

Series	D1	T	D3	D4	D5 KDS	D6 KD	L1	L2	L3	L4	L5	L6	L7	S1	S2	S3	Weight g/1 piece	Order code*	PN (bar) ¹⁾		
																			CF	A3C	71
L ³⁾	06	G 1/8 A	4	4.5	14.9	17	19.0	12.0	10.5	8	24	27	2.5	17	17	14	53	WH06LRKDSOMD	315	315	315
	08	G 1/4 A	6	6.0	18.9	22	21.5	14.5	14.0	12	30	29	3.0	22	19	17	101	WH08LRKDSOMD	315	315	315
	10	G 1/4 A	8	6.0	18.9	22	22.5	15.5	14.0	12	30	30	3.0	22	19	19	102	WH10LRKDSOMD	315	315	315
	12	G 3/8 A	10	7.5	21.9	27	25.0	18.0	16.5	12	36	33	3.0	27	24	22	181	WH12LRKDSOMD	315	315	315
	15	G 1/2 A	12	11.0	26.9	32	28.5	21.5	21.5	14	45	37	4.5	32	30	27	312	WH15LRKDSOMD	315	315	315
	18	G 1/2 A	15	11.0	26.9	32	28.5	21.0	21.5	14	45	37	4.5	32	30	32	319	WH18LRKDSOMD	315	315	315
	22	G 3/4 A	19	17.0	32.9	41	35.0	27.5	24.0	16	53	44	3.5	41	36	36	578	WH22LRKDSOMD	160	160	160
	28	G 1 A	24	21.0	39.9	46	39.5	32.0	30.5	18	66	49	3.5	50	46	41	1035	WH28LRKDSOMD	160	160	160
	35	G 1 1/4 A	30	27.0	49.9	57	46.5	36.0	35.5	20	76	58	3.5	60	55	50	1499	WH35LRKDSOMD	160	160	160
	42	G 1 1/2 A	36	34.0	55.9	64	51.5	40.5	40.5	22	87	63	3.5	70	60	60	2196	WH42LRKDSOMD	160	160	160
S ⁴⁾	06	G 1/4 A	4	6.0	18.9	22	23.5	16.5	14.0	12	30	31	3.0	22	19	17	107	WH06SRKDSOMD	400	400	400
	08	G 1/4 A	5	6.0	18.9	22	23.5	16.5	14.0	12	30	31	3.0	22	19	19	107	WH08SRKDSOMD	400	400	400
	10	G 3/8 A	7	7.5	21.9	27	26.0	18.5	16.5	12	36	35	3.0	27	24	22	188	WH10SRKDSOMD	400	400	400
	12	G 3/8 A	8	7.5	21.9	27	26.0	18.5	16.5	12	36	35	3.0	27	24	24	190	WH12SRKDSOMD	400	400	400
	14	G 1/2 A	10	11.0	26.9	32	30.5	22.5	21.5	15	45	40	4.5	32	30	27	320	WH14SRKDSOMD	400	400	400
	16	G 1/2 A	12	11.0	26.9	32	30.5	22.0	21.5	14	45	40	4.5	32	30	30	324	WH16SRKDSOMD	315	315	315
	20	G 3/4 A	16	17.0	32.9	41	37.0	26.5	24.0	16	53	48	3.5	41	36	36	588	WH20SRKDSOMD	315	315	315
	25	G 1 A	20	21.0	39.9	46	43.5	31.5	30.5	18	66	56	3.5	50	46	46	1073	WH25SRKDSOMD	250	250	250
	30	G 1 1/4 A	25	27.0	49.9	57	50.5	37.0	35.5	20	76	64	3.5	60	55	50	1559	WH30SRKDSOMD	160	160	160
	38	G 1 1/2 A	32	34.0	55.9	64	57.5	41.5	40.5	22	87	72	3.5	70	60	60	2296	WH38SRKDSOMD	160	160	160

¹⁾ Pressure shown = item deliverable

³⁾ L = light series; ⁴⁾ S = heavy series

$$\frac{PN(\text{bar})}{10} = PN(\text{MPa})$$

Delivery without nut and ring. Information on ordering complete fittings or alternative sealing materials see page I7.

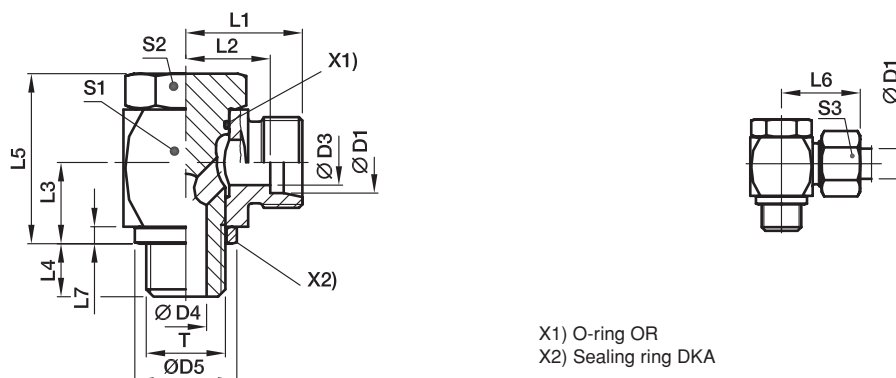
*Please add the **suffixes** below according to the material/surface required.

Order code suffixes			
Material	Suffix surface and material	Example	Standard sealing material (no additional suffix needed)
Steel, zinc plated, chrome ²⁾ -free	CF	WH16SRKDSOMDCF	NBR
Steel, zinc yellow plated	A3C	WH16SRKDSOMDA3C	NBR
Stainless Steel	71	WH16SRKD OMD 71	VIT/PTFE

Stainless Steel only with sealing ring **KD** available!
 Replace KDS by **KD** in the order code.

WH-R High pressure banjo elbow

EO 24° cone end / Male BSPP thread with metal sealing ring



X1) O-ring OR
X2) Sealing ring DKA

Series	D1	T	D3	D4	D5	L1	L2	L3	L4	L5	L6	L7	S1	S2	S3	Weight g/1 piece	Order code*	PN (bar) ¹⁾			
																		CF	A3C	71	MS
L ³⁾	06	G 1/8 A	4	4.5	14	19.0	12.0	10.5	8	24	27	2.5	17	17	14	53	WH06LROMD	250	250	250	160
	08	G 1/4 A	6	6.0	18	21.5	14.5	14.0	12	30	29	3.0	22	19	17	101	WH08LROMD	250	250	250	160
	10	G 1/4 A	8	6.0	18	22.5	15.5	14.0	12	30	30	3.0	22	19	19	102	WH10LROMD	250	250	250	160
	12	G 3/8 A	10	7.5	22	25.0	18.0	16.5	12	36	33	3.0	27	24	22	181	WH12LROMD	250	250	250	160
	15	G 1/2 A	12	11.0	26	28.5	21.5	21.5	14	45	37	4.5	32	30	27	311	WH15LROMD	250	250	250	160
	18	G 1/2 A	15	11.0	26	28.5	21.0	21.5	14	45	37	4.5	32	30	32	319	WH18LROMD	250	250	250	160
	22	G 3/4 A	19	17.0	32	35.0	27.5	24.0	16	53	44	3.5	41	36	36	577	WH22LROMD	160	160	160	
	28	G 1 A	24	21.0	39	39.5	32.0	30.5	18	66	49	3.5	50	46	41	1034	WH28LROMD	160	160	160	
	35	G 1 1/4 A	30	27.0	57	46.5	36.0	35.5	20	76	58	3.5	60	55	50	1500	WH35LROMD	160	160	160	
	42	G 1 1/2 A	36	34.0	55	51.5	40.5	40.5	22	87	63	3.5	70	60	60	2195	WH42LROMD	160	160	160	
S ⁴⁾	06	G 1/4 A	4	6.0	18	23.5	16.5	14.0	12	30	31	3.0	22	19	17	107	WH06SROMD	315	315	315	200
	08	G 1/4 A	5	6.0	18	23.5	16.5	14.0	12	30	31	3.0	22	19	19	107	WH08SROMD	315	315	315	200
	10	G 3/8 A	7	7.5	22	26.0	18.5	16.5	12	36	35	3.0	27	24	22	188	WH10SROMD	315	315	315	200
	12	G 3/8 A	8	7.5	22	26.0	18.5	16.5	12	36	35	3.0	27	24	24	190	WH12SROMD	315	315	315	200
	14	G 1/2 A	10	11.0	26	30.5	22.5	21.5	14	45	40	4.5	32	30	27	320	WH14SROMD	315	315	315	
	16	G 1/2 A	12	11.0	26	30.5	22.0	21.5	14	45	40	4.5	32	30	30	317	WH16SROMD	315	315	315	
	20	G 3/4 A	16	17.0	32	37.0	26.5	24.0	16	53	48	3.5	41	36	36	587	WH20SROMD	160	160	160	
	25	G 1 A	20	21.0	39	43.5	31.5	30.5	18	66	56	3.5	50	46	46	1072	WH25SROMD	160	160	160	
	30	G 1 1/4 A	25	27.0	49	50.5	37.0	35.5	20	76	64	3.5	60	55	50	1560	WH30SROMD	160	160	160	
	38	G 1 1/2 A	32	34.0	55	57.5	41.5	40.5	22	87	72	3.5	70	60	60	2295	WH38SROMD	160	160	160	

¹⁾ Pressure shown = item deliverable

³⁾ L = light series; ⁴⁾ S = heavy series

$$\frac{\text{PN (bar)}}{10} = \text{PN (MPa)}$$

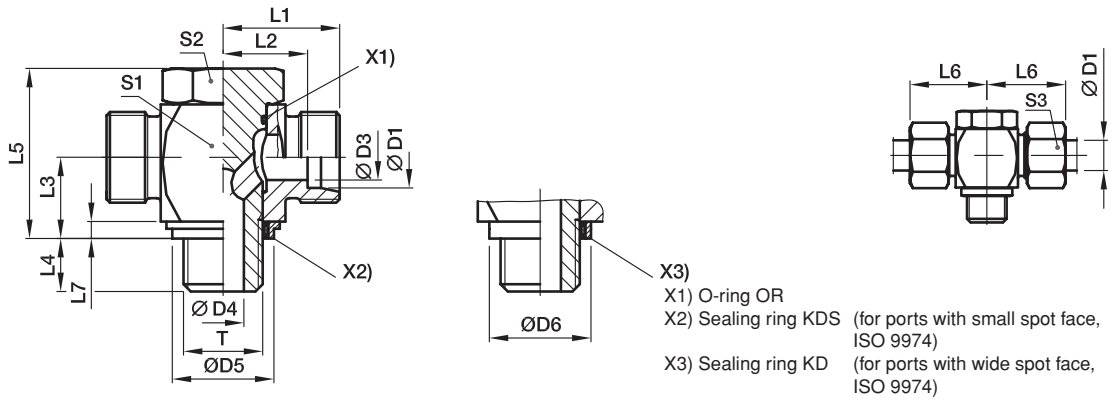
Delivery without nut and ring. Information on ordering complete fittings or alternative sealing materials see page 17.

*Please add the **suffixes** below according to the material/surface required.

Order code suffixes			
Material	Suffix surface and material	Example	Standard sealing material (no additional suffix needed)
Steel, zinc plated, chrome ⁶ -free	CF	WH16SROMDCF	NBR
Steel, zinc yellow plated	A3C	WH16SROMDA3C	NBR
Stainless Steel	71	WH16SROMD71	VIT
Brass	MS	WH18LROMDMS	NBR

TH-M-KDS High pressure banjo tee

EO 24° cone end / Male metric thread with soft seal ring



Series	D1	T	D3	D4	D5 KDS	D6 KD	L1	L2	L3	L4	L5	L6	L7	S1	S2	S3	Weight g/1 piece	Order code*	PN (bar) ¹⁾		
																			CF	A3C	71
L ³⁾	06	M10×1	4	4.5	14.9	17.0	19.0	12.0	10.5	8	24.0	27	2.5	17	17	14	59	TH06LMKDSOMD	315	315	315
	08	M12×1.5	6	6.0	17.0	22.0	21.5	14.5	14.0	12	30.0	29	3.0	22	19	17	104	TH08LMKDSOMD	315	315	315
	10	M14×1.5	8	6.0	18.9	22.5	22.5	15.5	14.0	12	30.0	30	3.0	22	19	19	112	TH10LMKDSOMD	315	315	315
	12	M16×1.5	10	7.5	21.9	27.0	25.0	18.0	16.5	12	36.0	33	3.0	27	24	22	192	TH12LMKDSOMD	315	315	315
	15	M18×1.5	11	9.0	23.9	29.0	27.5	21.5	18.5	12	39.5	37	3.0	30	30	27	258	TH15LMKDSOMD	315	315	315
	18	M22×1.5	15	12.0	26.9	32.0	28.5	21.0	21.5	14	45.0	37	4.5	32	30	32	337	TH18LMKDSOMD	315	315	315
	22	M26×1.5	19	17.0	31.9	41.0	35.0	27.5	24.0	16	53.0	44	3.5	41	36	36	589	TH22LMKDSOMD	160	160	160
	28	M33×2	24	21.0	39.9	46.0	39.5	32.0	30.5	18	66.0	49	3.5	50	46	41	1072	TH28LMKDSOMD	160	160	160
	35	M42×2	30	27.0	49.9	57.0	46.5	36.0	35.5	20	76.0	58	3.5	60	55	50	1778	TH35LMKDSOMD	160	160	160
	42	M48×2	36	34.0	55.9	64.0	51.5	40.5	40.5	22	87.0	63	3.5	70	60	60	2566	TH42LMKDSOMD	160	160	160
S ⁴⁾	06	M12×1.5	4	6.0	17.0	22.0	23.5	16.5	14.0	12	30.0	31	3.0	22	19	17	112	TH06SMKDSOMD	400	400	400
	08	M14×1.5	5	6.0	18.9	22.5	23.5	16.5	14.0	12	30.0	31	3.0	22	19	19	123	TH08SMKDSOMD	400	400	400
	10	M16×1.5	7	7.5	21.9	27.0	26.0	18.5	16.5	12	36.0	35	3.0	27	24	22	200	TH10SMKDSOMD	400	400	400
	12	M18×1.5	8	9.0	23.9	29.0	27.5	20.0	18.5	12	39.5	36	3.0	27	27	24	261	TH12SMKDSOMD	400	400	400
	14	M20×1.5	10	10.0		32.0	30.5	22.5	20.0	14	43.5	40	3.0	32	30	27	334	TH14SMKDSOMD			400
	16	M22×1.5	12	12.0	26.9	32.0	30.5	22.0	21.5	14	45.0	40	4.5	32	30	30	351	TH16SMKDSOMD	315	315	315
	20	M27×2	16	16.0	32.9	41.0	37.0	26.5	24.0	16	53.0	48	3.5	41	36	36	629	TH20SMKDSOMD	315	315	315
	25	M33×2	20	21.0	39.9	46.0	43.5	31.5	30.5	18	66.0	56	3.5	50	46	46	1106	TH25SMKDSOMD	250	250	250
	30	M42×2	25	27.0	49.9	57.0	50.5	37.0	35.5	20	76.0	64	3.5	60	55	50	1843	TH30SMKDSOMD	160	160	160
	38	M48×2	32	34.0	55.9	64.0	57.5	41.5	40.5	22	87.0	72	3.5	70	60	60	2744	TH38SMKDSOMD	160	160	160

1) Pressure shown = item deliverable

3) L = light series; 4) S = heavy series

$$\frac{PN(\text{bar})}{10} = PN(\text{MPa})$$

Delivery without nut and ring. Information on ordering complete fittings or alternative sealing materials see page I7.

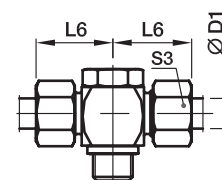
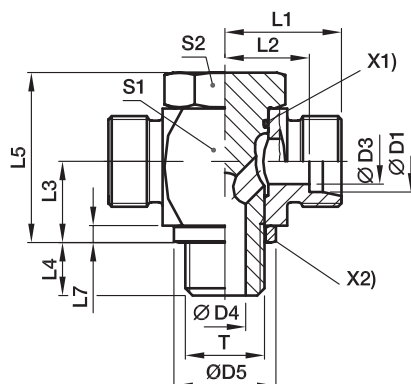
*Please add the **suffixes** below according to the material/surface required.

Order code suffixes			
Material	Suffix surface and material	Example	Standard sealing material (no additional suffix needed)
Steel, zinc plated, chrome ² -free	CF	TH16SMKDSOMDCF	NBR
Steel, zinc yellow plated	A3C	TH16SMKDSOMDA3C	NBR
Stainless Steel	71	TH16SMKDSOMD71	VIT/PTFE

Stainless Steel only with sealing ring KD available!
 Replace KDS by KD in the order code.

TH-M High pressure banjo tee

EO 24° cone end / Male metric thread with metal sealing ring



X1) O-ring OR
X2) Sealing ring DKA

Series	D1	T	D3	D4	D5	L1	L2	L3	L4	L5	L6	L7	S1	S2	S3	Weight g/1 piece	Order code*	PN (bar) ¹⁾		
																		CF	A3C	71
L ³⁾	06	M10×1	4	4.5	14	19.0	12.0	10.5	8	24.0	27	2.5	17	17	14	58	TH06LMOMD	250	250	250
	08	M12×1.5	6	6.0	17	21.5	14.5	14.0	12	30.0	29	3.0	22	19	17	104	TH08LMOMD	250	250	250
	10	M14×1.5	8	6.0	19	22.5	15.5	14.0	12	30.0	30	3.0	22	19	19	112	TH10LMOMD	250	250	250
	12	M16×1.5	10	7.5	21	25.0	18.0	16.5	12	36.0	33	3.0	27	24	22	191	TH12LMOMD	250	250	250
	15	M18×1.5	11	9.0	23	27.5	21.5	18.5	12	39.5	37	3.0	30	30	27	258	TH15LMOMD	250	250	250
	18	M22×1.5	15	12.0	27	28.5	21.0	21.5	14	45.0	37	4.5	32	30	32	337	TH18LMOMD	250	250	250
	22	M26×1.5	19	17.0	31	35.0	27.5	24.0	16	53.0	44	3.5	41	36	36	590	TH22LMOMD	160	160	160
	28	M33×2	24	21.0	39	39.5	32.0	30.5	18	66.0	49	3.5	50	46	41	1072	TH28LMOMD	160	160	160
	35	M42×2	30	27.0	49	46.5	36.0	35.5	20	76.0	58	3.5	60	55	50	1778	TH35LMOMD	160	160	160
	42	M48×2	36	34.0	55	51.5	40.5	40.5	22	87.0	63	3.5	70	60	60	2565	TH42LMOMD	160	160	160
S ⁴⁾	06	M12×1.5	4	6.0	17	23.5	16.5	14.0	12	30.0	31	3.0	22	19	17	112	TH06SMOMD	315	315	315
	08	M14×1.5	5	6.0	19	23.5	16.5	14.0	12	30.0	31	3.0	22	19	19	124	TH08SMOMD	315	315	315
	10	M16×1.5	7	7.5	21	26.0	18.5	16.5	12	36.0	35	3.0	27	24	22	200	TH10SMOMD	315	315	315
	12	M18×1.5	8	9.0	23	27.5	20.0	18.5	12	39.5	36	3.0	27	27	24	261	TH12SMOMD	315	315	315
	14	M20×1.5	10	10.0	25	30.5	22.5	20.0	14	43.5	40	3.0	32	30	27	334	TH14SMOMD	315	315	315
	16	M22×1.5	12	12.0	27	30.5	22.0	21.5	14	45.0	40	4.5	32	30	30	350	TH16SMOMD	315	315	315
	20	M27×2	16	16.0	32	37.0	26.5	24.0	16	53.0	48	3.5	41	36	36	628	TH20SMOMD	160	160	160
	25	M33×2	20	21.0	39	43.5	31.5	30.5	18	66.0	56	3.5	50	46	46	1106	TH25SMOMD	160	160	
	30	M42×2	25	27.0	49	50.5	37.0	35.5	20	76.0	64	3.5	60	55	50	1843	TH30SMOMD	160	160	160
	38	M48×2	32	34.0	55	57.5	41.5	40.5	22	87.0	72	3.5	70	60	60	2741	TH38SMOMD	160	160	160

¹⁾ Pressure shown = item deliverable

³⁾ L = light series; ⁴⁾ S = heavy series

$\frac{PN \text{ (bar)}}{10} = PN \text{ (MPa)}$

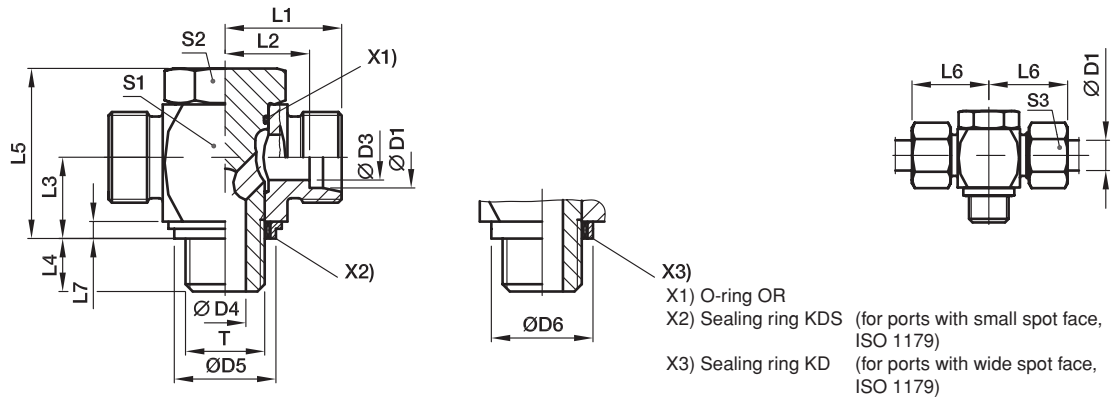
Delivery without nut and ring. Information on ordering complete fittings or alternative sealing materials see page I7.

*Please add the **suffixes** below according to the material/surface required.

Order code suffixes			
Material	Suffix surface and material	Example	Standard sealing material (no additional suffix needed)
Steel, zinc plated, chrome ⁶⁾ -free	CF	TH16SMOMDCF	NBR
Steel, zinc yellow plated	A3C	TH16SMOMDA3C	NBR
Stainless Steel	71	TH16SMOMD71	VIT

TH-R-KDS High pressure banjo tee

EO 24° cone end / Male BSPP thread with soft seal ring



Series	D1	T	D3	D4	D5 KDS	D6 KD	L1	L2	L3	L4	L5	L6	L7	S1	S2	S3	Weight g/1 piece	Order code*	PN (bar) ¹⁾		
																			CF	A3C	71
L ³⁾	06	G 1/8 A	4	4.5	14.9	17	19.0	12.0	10.5	8	24	27	2.5	17	17	14	58	TH06LRKDSOMD	315	315	315
	08	G 1/4 A	6	6.0	18.9	22	21.5	14.5	14.0	12	30	29	3.0	22	19	17	108	TH08LRKDSOMD	315	315	315
	10	G 1/4 A	8	6.0	18.9	22	22.5	15.5	14.0	12	30	30	3.0	22	19	19	110	TH10LRKDSOMD	315	315	315
	12	G 3/8 A	10	7.5	21.9	27	25.0	18.0	16.5	12	36	33	3.0	27	24	22	193	TH12LRKDSOMD	315	315	315
	15	G 1/2 A	12	11.0	26.9	32	28.5	21.5	21.5	14	45	37	4.5	32	30	27	321	TH15LRKDSOMD	315	315	315
	18	G 1/2 A	15	11.0	26.9	32	28.5	21.0	21.5	14	45	37	4.5	32	30	32	329	TH18LRKDSOMD	315	315	315
	22	G 3/4 A	19	17.0	32.9	41	35.0	27.5	24.0	16	53	44	3.5	41	36	36	585	TH22LRKDSOMD	160	160	160
	28	G 1 A	24	21.0	39.9	46	39.5	32.0	30.5	18	66	49	3.5	50	46	41	1090	TH28LRKDSOMD	160	160	160
	35	G 1 1/4 A	30	27.0	49.9	57	46.5	36.0	35.5	20	76	58	3.5	60	55	50	1765	TH35LRKDSOMD	160	160	160
	42	G 1 1/2 A	36	34.0	55.9	64	51.5	40.5	40.5	22	87	63	3.5	70	60	60	2545	TH42LRKDSOMD	160	160	160
S ⁴⁾	06	G 1/4 A	4	6.0	18.9	22	23.5	16.5	14.0	12	30	31	3.0	22	19	17	116	TH06SRKDSOMD	400	400	400
	08	G 1/4 A	5	6.0	18.9	22	23.5	16.5	14.0	12	30	31	3.0	22	19	19	121	TH08SRKDSOMD	400	400	400
	10	G 3/8 A	7	7.5	21.9	27	26.0	18.5	16.5	12	36	35	3.0	27	24	22	201	TH10SRKDSOMD	400	400	400
	12	G 3/8 A	8	7.5	21.9	27	26.0	18.5	16.5	12	36	35	3.0	27	24	24	207	TH12SRKDSOMD	400	400	400
	14	G 1/2 A	10	11.0	26.9	32	30.5	22.5	21.5	15	45	40	4.5	32	30	27	338	TH14SRKDSOMD	400	400	400
	16	G 1/2 A	12	11.0	26.9	32	30.5	22.0	21.5	14	45	40	4.5	32	30	30	350	TH16SRKDSOMD	315	315	315
	20	G 3/4 A	16	17.0	32.9	41	37.0	26.5	24.0	16	53	48	3.5	41	36	36	620	TH20SRKDSOMD	315	315	315
	25	G 1 A	20	21.0	39.9	46	43.5	31.5	30.5	18	66	56	3.5	50	46	46	1124	TH25SRKDSOMD	250	250	250
	30	G 1 1/4 A	25	27.0	49.9	57	50.5	37.0	35.5	20	76	64	3.5	60	55	50	1830	TH30SRKDSOMD	160	160	160
	38	G 1 1/2 A	32	34.0	55.9	64	57.5	41.5	40.5	22	87	72	3.5	70	60	60	2721	TH38SRKDSOMD	160	160	160

1) Pressure shown = item deliverable

3) L = light series; 4) S = heavy series

$$\frac{PN(\text{bar})}{10} = PN(\text{MPa})$$

Delivery without nut and ring. Information on ordering complete fittings or alternative sealing materials see page I7.

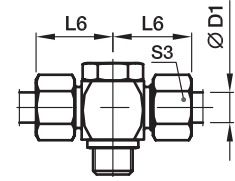
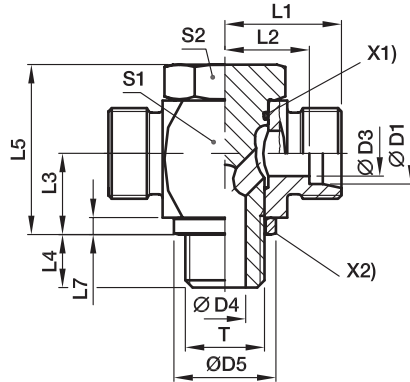
*Please add the **suffixes** below according to the material/surface required.

Order code suffixes			
Material	Suffix surface and material	Example	Standard sealing material (no additional suffix needed)
Steel, zinc plated, chrome ²⁾ -free	CF	TH16SRKDSOMDCF	NBR
Steel, zinc yellow plated	A3C	TH16SRKDSOMDA3C	NBR
Stainless Steel	71	TH16SRKDOMD71	VIT/PTFE

Stainless Steel only with sealing ring **KD** available!
 Replace KDS by **KD** in the order code.

TH-R High pressure banjo tee

EO 24° cone end / Male BSPP thread with metal sealing ring



X1) O-ring OR
X2) Sealing ring DKA

Series	D1	T	D3	D4	D5	L1	L2	L3	L4	L5	L6	L7	S1	S2	S3	Weight g/1 piece	Order code*	PN (bar) ¹⁾		
																		CF	A3C	71
L ³⁾	06	G 1/8 A	4	4.5	14	19.0	12.0	10.5	8	24	27	2.5	17	17	14	58	TH06LROMD	250	250	250
	08	G 1/4 A	6	6.0	18	21.5	14.5	14.0	12	30	29	3.0	22	19	17	108	TH08LROMD	250	250	250
	10	G 1/4 A	8	6.0	18	22.5	15.5	14.0	12	30	30	3.0	22	19	19	110	TH10LROMD	250	250	250
	12	G 3/8 A	10	7.5	22	25.0	18.0	16.5	12	36	33	3.0	27	24	22	193	TH12LROMD	250	250	250
	15	G 1/2 A	12	11.0	26	28.5	21.5	21.5	14	45	37	4.5	32	30	27	321	TH15LROMD	250	250	250
	18	G 1/2 A	15	11.0	26	28.5	21.0	21.5	14	45	37	4.5	32	30	32	329	TH18LROMD	250	250	250
	22	G 3/4 A	19	17.0	32	35.0	27.5	24.0	16	53	44	3.5	41	36	36	584	TH22LROMD	160	160	160
	28	G 1 A	24	21.0	39	39.5	32.0	30.5	18	66	49	3.5	50	46	41	1090	TH28LROMD	160	160	160
	35	G 1 1/4 A	30	27.0	57	46.5	36.0	35.5	20	76	58	3.5	60	55	50	1766	TH35LROMD	160	160	160
	42	G 1 1/2 A	36	34.0	55	51.5	40.5	40.5	22	87	63	3.5	70	60	60	2544	TH42LROMD	160	160	160
S ⁴⁾	06	G 1/4 A	4	6.0	18	23.5	16.5	14.0	12	30	31	3.0	22	19	17	116	TH06SROMD	315	315	315
	08	G 1/4 A	5	6.0	18	23.5	16.5	14.0	12	30	31	3.0	22	19	19	121	TH08SROMD	315	315	315
	10	G 3/8 A	7	7.5	22	26.0	18.5	16.5	12	36	35	3.0	27	24	22	201	TH10SROMD	315	315	315
	12	G 3/8 A	8	7.5	22	26.0	18.5	16.5	12	36	35	3.0	27	24	24	207	TH12SROMD	315	315	315
	14	G 1/2 A	10	11.0	26	30.5	22.5	21.5	14	45	40	4.5	32	30	27	343	TH14SROMD	315	315	315
	16	G 1/2 A	12	11.0	26	30.5	22.0	21.5	14	45	40	4.5	32	30	30	350	TH16SROMD	315	315	315
	20	G 3/4 A	16	17.0	32	37.0	26.5	24.0	16	53	48	3.5	41	36	36	618	TH20SROMD	160	160	160
	25	G 1 A	20	21.0	39	43.5	31.5	30.5	18	66	56	3.5	50	46	46	1124	TH25SROMD	160	160	160
	30	G 1 1/4 A	25	27.0	49	50.5	37.0	35.5	20	76	64	3.5	60	55	50	1831	TH30SROMD	160	160	160
	38	G 1 1/2 A	32	34.0	55	57.5	41.5	40.5	22	87	72	3.5	70	60	60	2720	TH38SROMD	160	160	160

¹⁾ Pressure shown = item deliverable

³⁾ L = light series; ⁴⁾ S = heavy series

$$\frac{\text{PN (bar)}}{10} = \text{PN (MPa)}$$

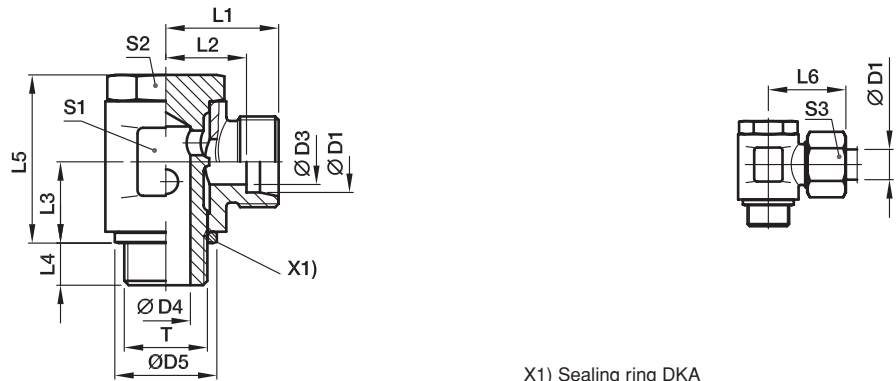
Delivery without nut and ring. Information on ordering complete fittings or alternative sealing materials see page I7.

*Please add the **suffixes** below according to the material/surface required.

Order code suffixes			
Material	Suffix surface and material	Example	Standard sealing material (no additional suffix needed)
Steel, zinc plated, chrome ⁶⁾ -free	CF	TH16SROMDCF	NBR
Steel, zinc yellow plated	A3C	TH16SROMDA3C	NBR
Stainless Steel	71	TH16SROMD71	VIT

SWVE-M Banjo elbow

EO 24° cone end / Male metric thread



X1) Sealing ring DKA

Series	D1	T	D3	D4	D5	L1	L2	L3	L4	L5	L6	S1	S2	S3	Weight g/1 piece	Order code*	PN (bar) ¹⁾	
																	CF	A3C
LL ²⁾	04	M08×1	3.0	3.0	12.5	14.5	10.5	8.0	6	17.0	20	12	12	10	18	SWVE04LLMOMD	63	63
	06	M10×1	4.5	5.0	14.0	15.5	10.0	10.0	6	21.0	22	14	14	12	29	SWVE06LLMOMD	63	63
	08	M10×1	6.0	5.0	14.0	16.5	11.0	10.0	6	21.0	23	14	14	14	31	SWVE08LLMOMD	63	63
L ³⁾	06	M10×1	4.5	5.0	14.0	15.5	10.5	10.0	6	21.5	25	14	14	14	31	SWVE06LMOMD	160	160
	08	M12×1.5	6.0	6.0	17.0	19.0	12.0	12.0	9	25.0	27	17	17	17	51	SWVE08LMOMD	160	160
	10	M14×1.5	8.0	6.5	19.0	21.0	14.0	13.0	9	27.0	29	19	19	19	68	SWVE10LMOMD	160	160
	12	M16×1.5	10.0	8.5	21.0	22.5	15.5	15.0	9	32.0	30	22	21	22	100	SWVE12LMOMD	100	100
	15	M18×1.5	12.0	11.0	23.0	24.5	17.5	18.0	9	37.5	33	24	24	27	138	SWVE15LMOMD	100	100
	18	M22×1.5	15.0	13.0	27.0	28.0	20.5	21.5	11	44.0	37	30	27	32	241	SWVE18LMOMD	100	100
	22	M26×1.5	19.0	18.0	31.0	33.0	25.5	24.0	13	49.0	42	36	32	36	351	SWVE22LMOMD	100	100
S ⁴⁾	06	M12×1.5	4.0	6.0	17.0	21.0	14.0	12.0	9	25.0	29	17	17	17	55	SWVE06SMOMD	160	160
	08	M14×1.5	5.0	6.5	19.0	22.0	15.0	13.0	9	27.0	30	19	19	19	75	SWVE08SMOMD	160	160
	10	M16×1.5	7.0	8.5	21.0	23.5	16.0	15.0	9	32.0	32	22	22	22	106	SWVE10SMOMD	100	100
	12	M18×1.5	8.0	11.0	23.0	24.5	17.0	18.0	9	37.0	33	24	24	24	134	SWVE12SMOMD	100	100
	14	M20×1.5	10.0	10.0	25.0	28.0	20.0	18.0	11	37.0	38	27	27	27	179	SWVE14SMOMD	100	100
	16	M22×1.5	12.0	13.0	27.0	30.0	21.5	21.5	11	44.0	40	30	27	30	252	SWVE16SMOMD	100	100
	20	M27×2	16.0	18.0	32.0	35.0	24.5	24.0	13	49.0	46	36	32	36	363	SWVE20SMOMD	100	100

¹⁾ Pressure shown = item deliverable

²⁾ LL = very light series; ³⁾ L = light series; ⁴⁾ S = heavy series

$\frac{PN(\text{bar})}{10} = PN(\text{MPa})$

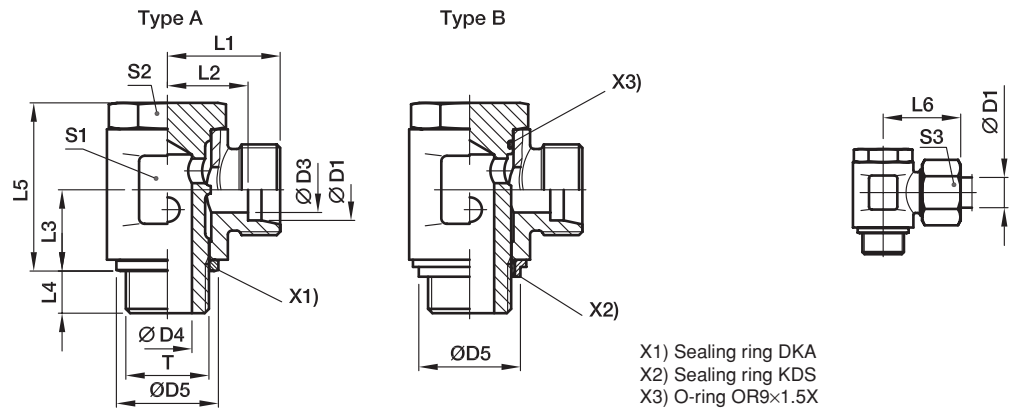
Delivery without nut and ring. Information on ordering complete fittings see page 17.

*Please add the **suffixes** below according to the material/surface required.

Order code suffixes			
Material	Suffix surface and material	Example	Standard sealing material (no additional suffix needed)
Steel, zinc plated, chrome ⁶ -free	CF	SWVE16SMOMDCF	NBR
Steel, zinc yellow plated	A3C	SWVE16SMOMDA3C	NBR

SWVE-R Banjo elbow

EO 24° cone end / Male BSPP thread



Series	D1	Type	T	D3	D4	D5	L1	L2	L3	L4	L5	L6	S1	S2	S3	Weight g/1 piece	Order code*	PN (bar) ¹⁾	
																		CF	A3C
LL ²⁾	04	B	G 1/8A	3.0	5.0	15	15.5	11.5	10.0	6	21.5	21	14	14	10	29	SWVE04LLRKDSOMD	250	250
	06	B	G 1/8A	4.5	5.0	15	15.5	10.0	10.0	6	21.5	22	14	14	12	30	SWVE06LLRKDSOMD	250	250
LL ²⁾	04	A	G 1/8A	3.0	5.0	14	15.5	11.5	10.0	6	21.0	21	14	14	10	28	SWVE04LLROMD	63	63
	06	A	G 1/8A	4.5	5.0	14	15.5	10.0	10.0	6	21.5	22	14	14	12	28	SWVE06LLROMD	63	63
	08	A	G 1/8A	6.0	5.0	14	16.5	11.0	10.0	6	21.0	23	14	14	14	30	SWVE08LLROMD	63	63
L ³⁾	06	A	G 1/8A	4.0	5.0	14	17.5	10.5	10.0	6	21.0	25	14	14	14	31	SWVE06LROMD	160	160
	08	A	G 1/4A	6.0	6.5	18	20.0	13.0	13.0	9	27.0	28	19	19	17	65	SWVE08LROMD	160	160
	10	A	G 1/4A	8.0	6.5	18	21.0	14.0	13.0	9	27.0	29	19	19	19	66	SWVE10LROMD	160	160
	12	A	G 3/8A	10.0	8.5	22	22.5	15.5	15.0	9	32.0	30	22	22	22	102	SWVE12LROMD	100	100
	15	A	G 1/2A	12.0	11.0	26	26.0	19.0	18.0	11	37.5	34	27	27	27	171	SWVE15LROMD	100	100
	18	A	G 1/2A	15.0	12.0	26	28.0	20.5	21.5	11	44.0	37	30	27	32	249	SWVE18LROMD	100	100
S ⁴⁾	06	A	G 1/4A	4.0	6.5	18	22.0	15.0	13.0	9	27.0	30	19	19	17	69	SWVE06SROMD	160	160
	08	A	G 1/4A	5.0	6.5	18	22.0	15.0	13.0	9	27.0	30	19	19	19	73	SWVE08SROMD	160	160
	10	A	G 3/8A	7.0	8.5	22	23.5	16.0	15.0	9	32.0	32	22	22	22	108	SWVE10SROMD	100	100
	12	A	G 3/8A	8.0	8.0	22	24.5	17.0	18.0	9	37.0	33	24	24	24	147	SWVE12SROMD	100	100
	14	A	G 1/2A	10.0	11.0	26	28.0	20.0	18.0	11	37.0	38	27	27	27	177	SWVE14SROMD	100	100
	16	A	G 1/2A	12.0	12.0	26	30.0	21.5	21.5	11	44.0	40	30	27	30	249	SWVE16SROMD	100	100
	20	A	G 3/4A	16.0	18.0	32	35.0	24.5	24.0	13	49.0	46	36	32	36	359	SWVE20SROMD	100	100

¹⁾ Pressure shown = item deliverable

²⁾ LL = very light series; ³⁾ L = light series; ⁴⁾ S = heavy series

$$\frac{\text{PN (bar)}}{10} = \text{PN (MPa)}$$

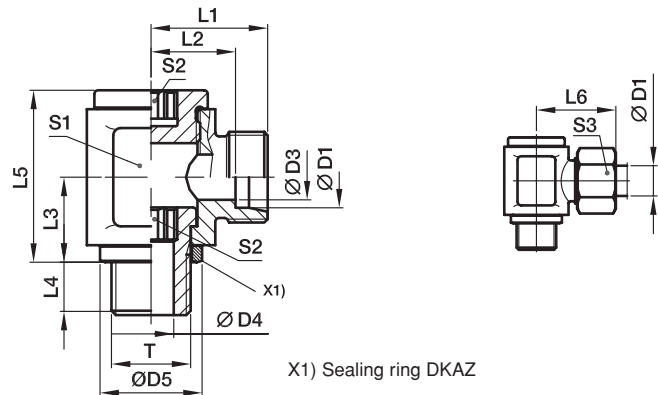
Delivery without nut and ring. Information on ordering complete fittings or alternative sealing materials see page 17.

*Please add the **suffixes** below according to the material/surface required.

Order code suffixes			
Material	Suffix surface and material	Example	Standard sealing material (no additional suffix needed)
Steel, zinc plated, chrome ⁶ -free	CF	SWVE16SROMDCF	
Steel, zinc yellow plated	A3C	SWVE16SROMDA3C	
Steel, zinc plated, chrome ⁶ -free	CF	SWVE06LLRKDSOMDCF	NBR
Steel, zinc yellow plated	A3C	SWVE06LLRKDSOMDA3C	NBR

DSVW-M Low pressure banjo elbow

EO 24° cone end / Male metric thread



Series	D1	T	D3	D4	D5	L1	L2	L3	L4	L5	L6	S1	S2	S3	Weight g/1 piece	Order code*	PN (bar) ¹⁾	
																	CF	A3C
L ³⁾	06	M 10×1	4	4.0	14	19.5	12.5	12	8	24	27	18	6	14	51	DSVW06LMOMD	160	160
	08	M 12×1.5	6	5.5	17	21.5	14.5	15	12	30	29	22	6	17	86	DSVW08LMOMD	160	160
	10	M 14×1.5	8	7.0	19	22.5	15.5	16	12	30	30	22	8	19	87	DSVW10LMOMD	100	100
	12	M 16×1.5	10	8.0	21	25.0	18.0	18	12	37	33	27	10	22	145	DSVW12LMOMD	100	100
	15	M 18×1.5	12	10.0	23	28.0	21.0	20	12	40	36	30	12	27	197	DSVW15LMOMD	100	100
	18	M 22×1.5	15	14.0	27	29.0	21.5	23	14	46	38	36	14	32	264	DSVW18LMOMD	100	100
	22	M 26×1.5	19	17.5	31	33.5	26.0	25	16	51	42	41	17	36	379	DSVW22LMOMD	100	100
	28	M 33×2	24	22.0	39	39.0	31.5	32	18	64	48	50	22	41	682	DSVW28LMOMD	100	100
	35	M 42×2	30	27.5	49	46.0	35.5	37	20	76	57	60	27	50	1146	DSVW35LMOMD	63	63
	42	M 48×2	36	32.5	55	51.0	40.0	42	22	85	63	70	32	60	1706	DSVW42LMOMD	63	63
S ⁴⁾	06	M 12×1.5	4	5.5	17	23.5	16.5	15	12	30	31	22	6	17	90	DSVW06SMOMD	160	160
	08	M 14×1.5	5	7.0	19	23.5	16.5	16	12	30	31	22	8	19	90	DSVW08SMOMD	160	160
	10	M 16×1.5	7	8.0	21	26.0	18.5	18	12	37	35	27	10	22	154	DSVW10SMOMD	100	100
	12	M 18×1.5	8	10.0	23	28.0	20.5	20	12	41	37	30	12	24	199	DSVW12SMOMD	100	100
	14	M 20×1.5	10	12.0	25	31.0	23.0	21	14	42	41	32	12	27	239	DSVW14SMOMD	100	100
	16	M 22×1.5	12	14.0	27	31.0	22.5	23	14	46	41	36	14	30	268	DSVW16SMOMD	100	100
	20	M 27×2	16	17.5	32	38.0	27.5	28	16	58	49	46	17	36	532	DSVW20SMOMD	100	100
	25	M 33×2	20	22.0	39	43.0	31.0	32	18	64	55	50	22	46	728	DSVW25SMOMD	100	100
	30	M 42×2	25	27.5	49	40.0	36.5	37	20	76	63	60	27	50	1222	DSVW30SMOMD	63	63
	38	M 48×2	32	32.5	55	56.0	41.0	42	22	85	72	70	32	60	1820	DSVW38SMOMD	63	63

¹⁾ Pressure shown = item deliverable

³⁾ L = light series; ⁴⁾ S = heavy series

$\frac{PN(\text{bar})}{10} = PN(\text{MPa})$

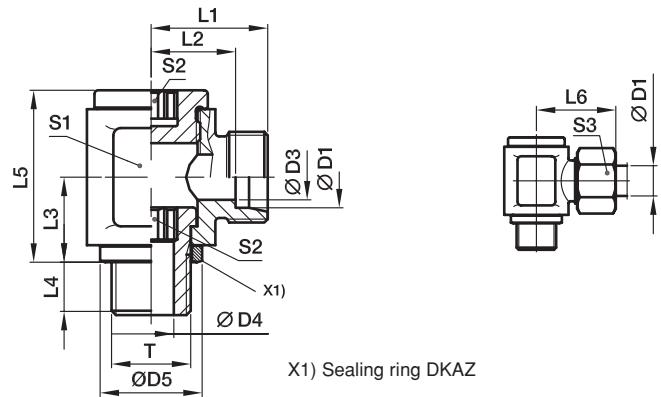
Delivery without nut and ring. Information on ordering complete fittings see page 17.

*Please add the **suffixes** below according to the material/surface required.

Order code suffixes		
Material	Suffix surface and material	Example
Steel, zinc plated, chrome ⁶ -free	CF	DSVW16SMOMDCF
Steel, zinc yellow plated	A3C	DSVW16SMOMDA3C

DSVW-R Low pressure banjo elbow

EO 24° cone end / Male BSPP thread



Series	D1	T	D3	D4	D5	L1	L2	L3	L4	L5	L6	S1	S2	S3	Weight g/1 piece	Order code*	PN (bar) ¹⁾	
																	CF	A3C
L ³⁾	06	G 1/8 A	4	4.0	14	19.5	12.5	12	8	24	27	14	18	6	51	DSVW06LROMD	160	160
	08	G 1/4 A	6	6.0	18	21.5	14.5	16	12	30	29	17	22	8	85	DSVW08LROMD	160	160
	10	G 1/4 A	8	6.0	18	22.5	15.5	16	12	30	30	19	22	8	88	DSVW10LROMD	100	100
	12	G 3/8 A	10	8.5	22	25.0	18.0	18	12	37	33	22	27	10	147	DSVW12LROMD	100	100
	15	G 1/2 A	12	12.0	26	29.0	22.0	21	14	42	37	27	32	12	228	DSVW15LROMD	100	100
	18	G 1/2 A	15	12.0	26	29.0	21.5	23	14	46	38	32	36	12	276	DSVW18LROMD	100	100
	22	G 3/4 A	19	17.5	32	36.0	28.5	28	16	58	45	36	46	17	516	DSVW22LROMD	100	100
	28	G 1 A	24	22.0	39	39.0	31.5	32	18	64	48	41	50	22	688	DSVW28LROMD	100	100
	35	G 1 1/4 A	30	27.5	49	46.0	35.5	37	20	76	57	50	60	27	1147	DSVW35LROMD	63	63
	42	G 1 1/2 A	36	32.5	55	51.5	40.0	42	22	85	63	60	70	32	1696	DSVW42LROMD	63	63
S ⁴⁾	06	G 1/4 A	4	6.0	18	23.5	16.5	16	12	30	31	17	22	8	89	DSVW06SROMD	160	160
	08	G 1/4 A	5	6.0	18	23.5	16.5	16	12	30	31	19	22	8	92	DSVW08SROMD	160	160
	10	G 3/8 A	7	8.5	22	26.0	18.5	18	12	37	35	22	27	10	150	DSVW10SROMD	100	100
	12	G 3/8 A	8	8.5	22	26.0	18.5	18	12	37	35	24	27	10	156	DSVW12SROMD	100	100
	14	G 1/2 A	10	12.0	26	31.0	23.0	21	14	42	41	27	32	12	235	DSVW14SROMD	100	100
	16	G 1/2 A	12	12.0	26	31.0	22.5	23	14	46	41	30	36	12	275	DSVW16SROMD	100	100
	20	G 3/4 A	16	17.5	32	38.0	27.5	28	16	58	49	36	46	17	530	DSVW20SROMD	100	100
	25	G 1 A	20	22.0	39	43.0	31.0	32	18	64	55	46	50	22	734	DSVW25SROMD	100	100
	30	G 1 1/4 A	25	27.5	49	50.0	36.5	37	20	76	63	50	60	27	1224	DSVW30SROMD	63	63
	38	G 1 1/2 A	32	32.5	55	57.5	41.0	42	22	85	72	60	70	32	1810	DSVW38SROMD	63	63

¹⁾ Pressure shown = item deliverable

³⁾ L = light series; ⁴⁾ S = heavy series

$$\frac{\text{PN (bar)}}{10} = \text{PN (MPa)}$$

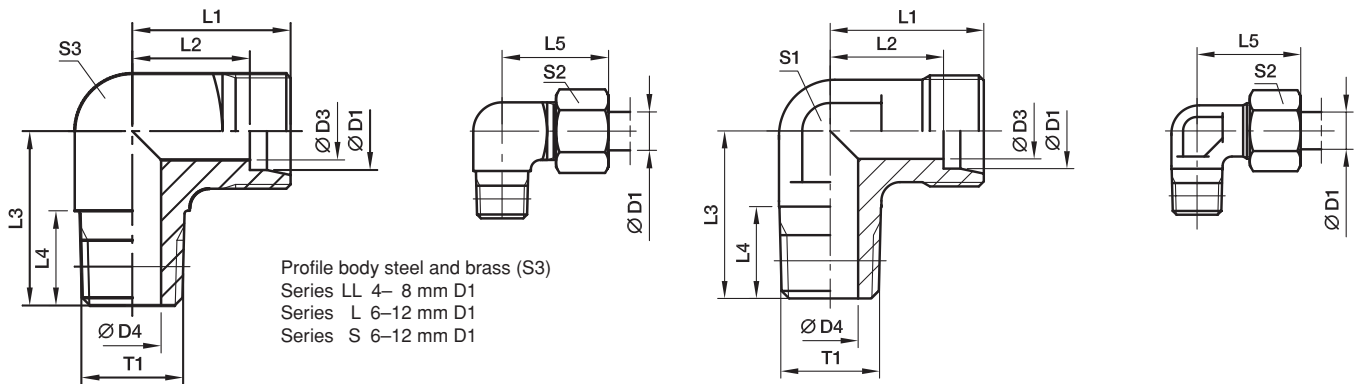
Delivery without nut and ring. Information on ordering complete fittings see page 17.

*Please add the **suffixes** below according to the material/surface required.

Order code suffixes		
Material	Suffix surface and material	Example
Steel, zinc plated, chrome ⁶ -free	CF	DSVW16SROMDCF
Steel, zinc yellow plated	A3C	DSVW16SROMDA3C

WE-NPT Male stud elbow

EO 24° cone end / Male NPT thread (SAE J476)



Profile body steel and brass (S3)
 Series LL 4– 8 mm D1
 Series L 6–12 mm D1
 Series S 6–12 mm D1

Series	D1	T1	D3	D4	L1	L2	L3	L4	L5	S1	S2	S3	Weight g/1 piece	Order code*	PN (bar) ¹⁾			
															CF	A3C	71	MS
LL ²⁾	04	1/8-27NPT	3.0	4.0	15	11.0	17	10.0	21	9	10	11	18	WE04LL1/8NPT	100	100		
	06	1/8-27NPT	4.5	4.5	15	9.5	17	10.0	21	9	12	11	17	WE06LL1/8NPT	100	100		
	08	1/8-27NPT	6.0	5.0	17	11.5	20	10.0	23	12	14	12	25	WE08LL1/8NPT	100	100		
L ³⁾	06	1/8-27NPT	4.0	4.0	19	12.0	20	10.0	27	12	14	12	29	WE06L1/8NPT	315	315	315	315
	06	1/4-18NPT	4.0	7.0	21	14.0	26	14.5	29	12	14	14	44	WE06L1/4NPT	315	315	315	315
	06	3/8-18NPT	4.0	8.0	25	18.0	28	14.5	33	17	14	19	55	WE06L3/8NPT	315	315	315	315
	08	1/8-27NPT	6.0	4.0	21	14.0	26	10.0	29	12	17	14	48	WE08L1/8NPT	315	315	315	315
	08	1/4-18NPT	6.0	6.0	21	14.0	26	14.5	29	12	17	14	47	WE08L1/4NPT	315	315	315	315
	10	1/4-18NPT	8.0	7.0	22	15.0	27	14.5	30	14	19	17	61	WE10L1/4NPT	315	315	315	315
	10	3/8-18NPT	8.0	8.0	24	17.0	28	14.5	32	17	19	19	92	WE10L3/8NPT	315	315	315	315
	12	1/4-18NPT	10.0	7.0	24	17.0	28	14.5	32	17	22	19	82	WE12L1/4NPT	315	315	315	315
	12	3/8-18NPT	10.0	8.0	24	17.0	28	14.5	32	17	22	19	92	WE12L3/8NPT	315	315	315	315
	12	1/2-14NPT	10.0	11.0	28	21.0	34	19.5	36	19	22	19	90	WE12L1/2NPT	315	315	315	315
	15	1/2-14NPT	12.0	11.0	28	21.0	34	19.5	36	19	27		89	WE15L1/2NPT	315	315	315	315
	18	1/2-14NPT	15.0	12.0	31	23.5	36	19.5	40	24	32		150	WE18L1/2NPT	315	315	315	315
	22	3/4-14NPT	19.0	16.0	35	27.5	42	19.5	44	27	36		176	WE22L3/4NPT	160	160	160	160
	28	1-11 1/2NPT	24.0	21.0	38	30.5	48	24.5	47	36	41		314	WE28L1NPT	160	160	160	160
	35	11/4-11 1/2NPT	30.0	28.0	45	34.5	54	25.0	56	41	50		465	WE35L11/4NPT	160	160	160	160
42	11/2-11 1/2NPT	36.0	34.0	51	40.0	61	26.0	63	50	60		849	WE42L11/2NPT	160	160	160	160	
S ⁴⁾	06	1/4-18NPT	4.0	4.0	23	16.0	26	14.5	31	12	17	14	56	WE06S1/4NPT	630	630	630	630
	08	1/4-18NPT	5.0	5.0	24	17.0	27	14.5	32	14	19	17	73	WE08S1/4NPT	630	630	630	630
	08	3/8-18NPT	5.0	8.0	25	18.0	28	14.5	33	17	19	19	77	WE08S3/8NPT	630	630	630	630
	08	1/2-14NPT	5.0	10.0	30	23.0	34	19.5	38	19	19	19	75	WE08S1/2NPT	630	630	630	630
	10	1/4-18NPT	7.0	5.0	25	17.5	28	14.5	34	17	22	19	96	WE10S1/4NPT	630	630	630	630
	10	3/8-18NPT	7.0	7.0	25	17.5	28	14.5	34	17	22	19	98	WE10S3/8NPT	630	630	630	630
	12	1/4-18NPT	8.0	5.0	29	21.5	29	14.5	38	17	24	22	73	WE12S1/4NPT	630	630	630	630
	12	3/8-18NPT	8.0	8.0	29	22.5	28	14.5	38	17	24	22	123	WE12S3/8NPT	630	630	630	630
	12	1/2-14NPT	8.0	10.0	30	22.5	34	19.5	39	19	24	24	107	WE12S1/2NPT	630	630	630	630
	14	1/2-14NPT	10.0	10.0	30	22.0	34	19.5	40	19	27		103	WE14S1/2NPT	630	630	630	630
	16	1/2-14NPT	12.0	12.0	33	24.5	36	19.5	43	24	30		157	WE16S1/2NPT	400	400	400	400
	20	3/4-14NPT	16.0	16.0	37	26.5	42	19.5	48	27	36		205	WE20S3/4NPT	400	400	400	400
	25	1-11 1/2NPT	20.0	20.0	42	30.0	48	24.5	54	36	46		381	WE25S1NPT	400	400	400	400
	30	11/4-11 1/2NPT	25.0	25.0	49	35.5	54	25.0	62	41	50		598	WE30S11/4NPT	400	400	400	400
	38	11/2-11 1/2NPT	32.0	32.0	57	41.0	61	26.0	72	50	60		1029	WE38S11/2NPT	315	315	315	315

¹⁾ Pressure shown = item deliverable

²⁾ LL = very light series; ³⁾ L = light series; ⁴⁾ S = heavy series

PN (bar) = PN (MPa)
 10

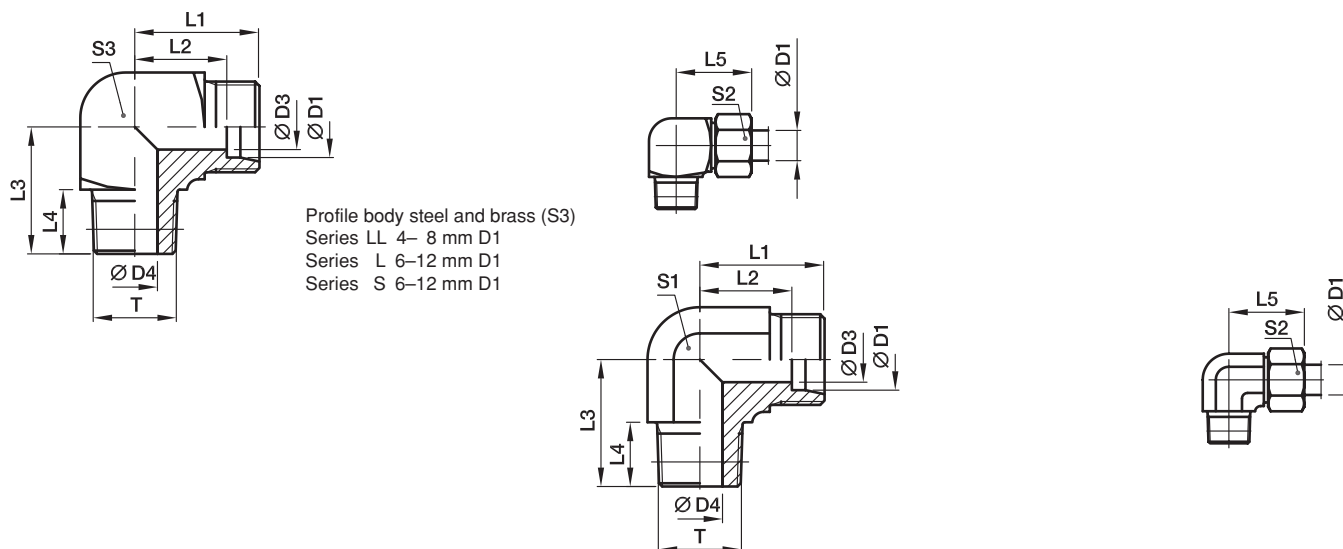
Delivery without nut and ring. Information on ordering complete fittings see page 17.

*Please add the suffixes below according to the material/surface required.

Order code suffixes		
Material	Suffix surface and material	Example
Steel, zinc plated, chrome ⁶ -free	CFX	WE16S1/2NPTCFX
Steel, zinc yellow plated	A3CX	WE16S1/2NPTA3CX
Stainless Steel	71X	WE16S1/2NPT71X
Brass	MSX	WE16S1/2NPTMSX

WE-M(KEG) Male stud elbow

EO 24° cone end / Male short metric taper thread (DIN 3852-1, type C)



Profile body steel and brass (S3)
 Series LL 4– 8 mm D1
 Series L 6–12 mm D1
 Series S 6–12 mm D1

Series	D1	T	D3	D4	L1	L2	L3	L4	L5	S1	S2	S3	Weight g/1 piece	Order code*	PN (bar) ¹⁾			
															CF	A3C	71	MS
LL ²⁾	04	M8×1tap.	3.0	3.5	15	11.0	17	8	21	9	10	9	14	WE04LLM	100	100	100	63
	06	M10×1tap.	4.5	4.5	15	9.5	17	8	21	9	12	11	17	WE06LLM	100	100	100	63
	08	M10×1tap.	6.0	6.0	17	11.5	20	8	23	12	14	12	25	WE08LLM	100	100	100	63
L ³⁾	06	M10×1tap.	4.0	4.0	19	12.0	20	8	27	12	14	12	29	WE06LM	315	315	315	200
	08	M12×1.5tap.	6.0	6.0	21	14.0	26	12	29	12	17	14	46	WE08LM	315	315	315	200
	10	M14×1.5tap.	8.0	7.0	22	15.0	27	12	30	14	19	17	62	WE10LM	315	315	315	200
	12	M16×1.5tap.	10.0	9.0	24	17.0	28	12	32	17	22	19	89	WE12LM	315	315	315	200
	15	M18×1.5tap.	12.0	11.0	28	21.0	32	12	36	19	27		78	WE15LM	315	315	315	200
	18	M22×1.5tap.	15.0	14.0	31	23.0	36	14	40	24	32		148	WE18LM	315	315	315	200
S ⁴⁾	06	M12×1.5tap.	4.0	4.0	23	16.0	26	12	31	12	17	14	53	WE06SM	400	400	400	250
	08	M14×1.5tap.	5.0	5.0	24	17.0	27	12	32	14	19	17	78	WE08SM	400	400	400	250
	10	M16×1.5tap.	7.0	7.0	25	17.5	28	12	34	17	22	19	102	WE10SM	400	400	400	250
	12	M18×1.5tap.	8.0	8.0	29	21.5	28	12	38	17	24	22	134	WE12SM	400	400	400	250
	14	M20×1.5tap.	10.0	10.0	30	22.0	32	14	40	19	27		99	WE14SM	400	400	400	
	16	M22×1.5tap.	12.0	12.0	33	24.5	32	14	43	24	30		161	WE16SM	400	400	400	250

¹⁾ Pressure shown = item deliverable

²⁾ LL = very light series; ³⁾ L = light series; ⁴⁾ S = heavy series

$$\frac{PN(\text{bar})}{10} = PN(\text{MPa})$$

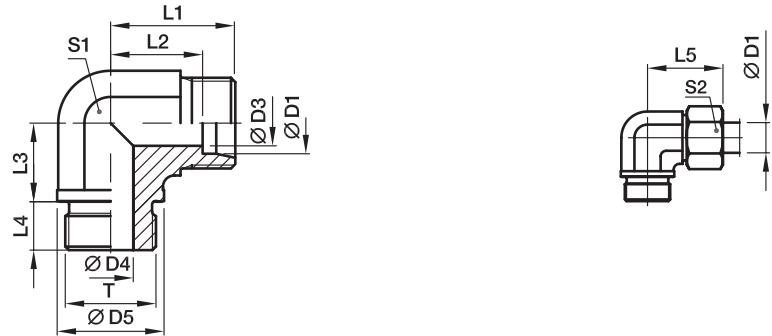
Delivery without nut and ring. Information on ordering complete fittings see page 17.

*Please add the **suffixes** below according to the material/surface required.

Order code suffixes		
Material	Suffix surface and material	Example
Steel, zinc plated, chrome ⁶ -free	CFX	WE16SMCFX
Steel, zinc yellow plated	A3CX	WE16SMA3CX
Stainless Steel	71X	WE16SM71X
Brass	MSX	WE16SMMSX

WE-M Male stud elbow

EO 24° cone end / Male metric thread – metal sealing edge (ISO 9974)



Series	D1	T	D3	D4	D5	L1	L2	L3	L4	L5	S1	S2	Weight g/1 piece	Order code*	PN (bar) ¹⁾		
															CF	A3C	71
L ³⁾	22	M26×1.5	19	18	31	35	27.5	26	16	44	27	36	173	WE22LM	160	160	160
	28	M33×2	24	23	39	38	30.5	30	18	47	36	41	303	WE28LM	160	160	160
	35	M42×2	30	30	49	45	34.5	34	20	56	41	50	469	WE35LM	160	160	160
	42	M48×2	36	36	55	51	40.0	39	22	63	50	60	661	WE42LM	160	160	160
S ⁴⁾	20	M27×2	16	16	32	37	26.5	26	16	48	27	36	208	WE20SM	400	400	400
	25	M33×2	20	20	39	42	30.0	30	18	54	36	46	396	WE25SM	250	250	250
	30	M42×2	25	25	49	49	35.5	34	20	62	41	50	632	WE30SM	160	160	160
	38	M48×2	32	32	55	57	41.0	39	22	72	50	60	907	WE38SM	160	160	160

¹⁾ Pressure shown = item deliverable

³⁾ L = light series; ⁴⁾ S = heavy series

$\frac{PN \text{ (bar)}}{10} = PN \text{ (MPa)}$

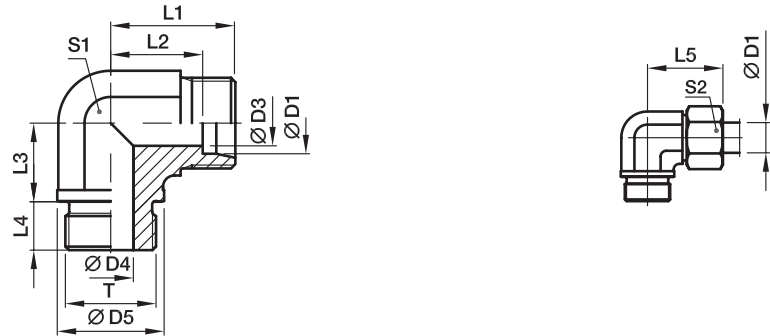
Delivery without nut and ring. Information on ordering complete fittings see page I7.

Order code suffixes		
Material	Suffix surface and material	Example
Steel, zinc plated, chrome ⁶ -free	CFX	WE20SMCFX
Steel, zinc yellow plated	A3CX	WE20SMA3CX
Stainless Steel	71X	WE20SM71X

*Please add the **suffixes** below according to the material/surface required.

WE-R Male stud elbow

EO 24° cone end / Male BSPP thread – metal sealing edge (ISO 1179)



Series	D1 	T	D3	D4	D5	L1	L2	L3	L4	L5	S1	S2	Weight g/1 piece	Order code*	PN (bar) ¹⁾			
															CF	A3C	71	MS
L ³⁾	22	G3/4A	19	18	32	35	27.5	26	16	44	27	36	168	WE22LR	160	160	160	100
	28	G1A	24	23	39	38	30.5	30	18	47	36	41	305	WE28LR	160	160	160	100
	35	G11/4A	30	30	49	45	34.5	34	20	56	41	50	465	WE35LR	160	160	160	100
	42	G11/2A	36	36	55	51	40.0	39	22	63	50	60	706	WE42LR	160	160	160	100
S ⁴⁾	20	G3/4A	16	16	32	37	26.5	26	16	48	27	36	210	WE20SR	400	400	400	250
	25	G1A	20	20	39	42	30.0	30	18	54	36	46	388	WE25SR	250	250	250	160
	30	G11/4A	25	25	49	49	35.5	34	20	62	41	50	630	WE30SR	160	160	160	100
	38	G11/2A	32	32	55	57	41.0	39	22	72	50	60	888	WE38SR	160	160	160	100

¹⁾ Pressure shown = item deliverable

³⁾ L = light series; ⁴⁾ S = heavy series

$\frac{PN \text{ (bar)}}{10} = PN \text{ (MPa)}$

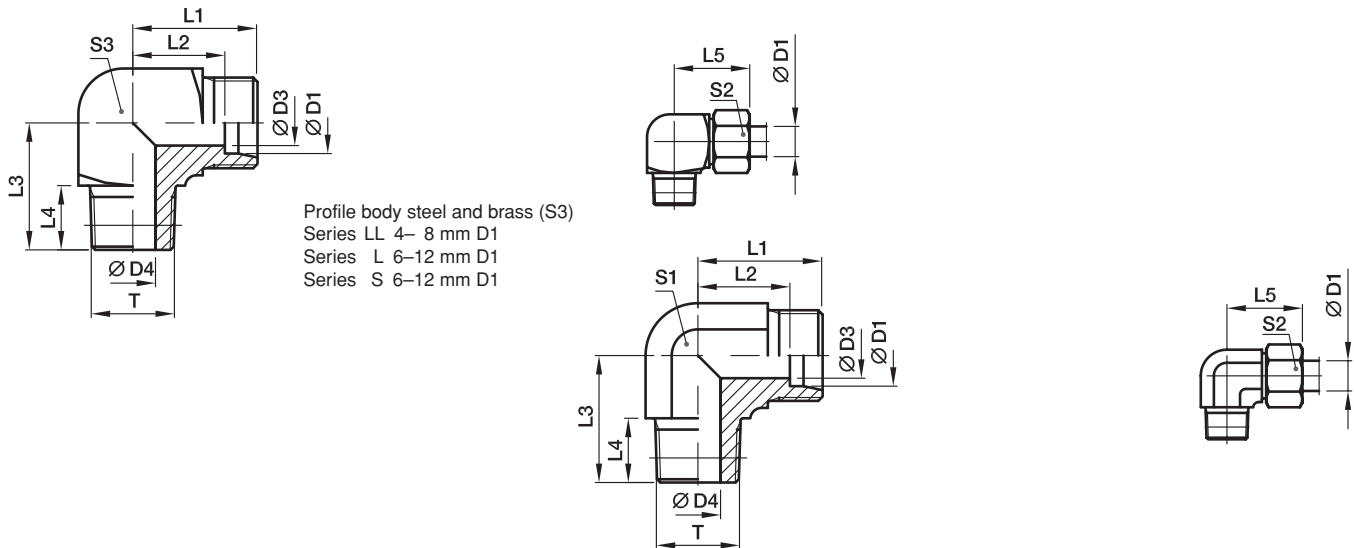
Delivery without nut and ring. Information on ordering complete fittings see page I7.

Order code suffixes		
Material	Suffix surface and material	Example
Steel, zinc plated, chrome ⁶ -free	CFX	WE20SRCFX
Steel, zinc yellow plated	A3CX	WE20SRA3CX
Stainless Steel	71X	WE20SR71X
Brass	MSX	WE20SRMSX

*Please add the **suffixes** below according to the material/surface required.

WE-R (KEG) Male stud elbow

EO 24° cone end / Male short BSP taper thread (DIN 3852-2, type C)



Profile body steel and brass (S3)
 Series LL 4– 8 mm D1
 Series L 6–12 mm D1
 Series S 6–12 mm D1

Series	D1	T	D3	D4	L1	L2	L3	L4	L5	S1	S2	S3	Weight g/1 piece	Order code*	PN (bar) ¹⁾			
															CF	A3C	71	MS
LL ²⁾	04	R1/8tap.	3.0	4.0	15	11.0	17	8	21	9	10	11	17	WE04LLR	100	100	100	63
	06	R1/8tap.	4.5	4.5	15	9.5	17	8	21	9	12	11	17	WE06LLR	100	100	100	63
	08	R1/8tap.	6.0	6.0	17	11.5	20	8	23	12	14	12	24	WE08LLR	100	100	100	63
	10	R1/4tap.	8.0	7.0	18	12.5	23	12	24	12	17	14	36	WE10LLR	100	100		
	12	R1/4tap.	10	7.0	19	13.0	23	12	25	14	19	17	46	WE12LLR	100	100		
L ³⁾	06	R1/8tap.	4.0	4.0	19	12.0	20	8	27	12	14	12	30	WE06LR	315	315	315	200
	06	R1/4tap.	4.0	6.0	21	14.0	26	12	29	12	14	14	47	WE06LR1/4	315	315	315	
	08	R1/4tap.	6.0	6.0	21	14.0	26	12	29	12	17	14	46	WE08LR	315	315	315	200
	08	R1/8tap.	6.0	4.0	21	14.0	26	8	29	12	17	14	49	WE08LR1/8	315	315	315	
	08	R3/8tap.	6.0	9.0	24	17.0	28	12	32	17	17	19	94	WE08LR3/8	315	315	315	
	10	R1/4tap.	8.0	7.0	22	15.0	27	12	30	14	19	17	61	WE10LR	315	315	315	200
	10	R3/8tap.	8.0	9.0	24	17.0	28	12	32	17	19	19	87	WE10LR3/8	315	315	315	
	12	R3/8tap.	10.0	9.0	24	17.0	28	12	32	17	22	19	88	WE12LR	315	315	315	200
	12	R1/4tap.	10.0	7.0	24	17.0	27	12	32	17	22	19	80	WE12LR1/4	315	315	315	
	12	R1/2tap.	10.0	11.0	28	21.0	34	14	36	19	22		89	WE12LR1/2	315	315	315	
	15	R1/2tap.	12.0	11.0	28	21.0	34	14	36	19	27		94	WE15LR	315	315	315	200
	18	R1/2tap.	15.0	14.0	31	23.5	36	14	40	24	32		141	WE18LR	315	315	315	200
S ⁴⁾	06	R1/4tap.	4.0	4.0	23	16.0	26	12	31	12	17	14	56	WE06SR	400	400	400	250
	06	R3/8tap.	4.0	7.0	25	18.0	28	12	33	17	17	19	61	WE06SR3/8	400	400	400	
	08	R1/4tap.	5.0	5.0	24	17.0	27	12	32	14	19	17	73	WE08SR	400	400	400	250
	08	R3/8tap.	5.0	7.0	25	18.0	28	12	33	17	19	19	63	WE08SR3/8	400	400	400	
	10	R3/8tap.	7.0	7.0	25	17.5	28	12	34	17	22	19	104	WE10SR	400	400	400	250
	10	R1/4tap.	7.0	5.0	25	17.5	28	12	34	17	22	19	59	WE10SR1/4	400	400	400	
	10	R1/2tap.	7.0	10.0	30	22.5	32	14	39	19	22		98	WE10SR1/2	400	400	400	
	12	R3/8tap.	8.0	8.0	29	21.5	28	12	38	17	24	22	126	WE12SR	400	400	400	250
	12	R1/2tap.	8.0	11.0	30	22.5	32	14	39	19	24		97	WE12SR1/2	400	400	400	
	14	R1/2tap.	10.0	10.0	30	22.0	32	14	40	19	27		101	WE14SR	400	400	400	250
	16	R1/2tap.	12.0	12.0	33	24.5	32	14	43	24	30		150	WE16SR	400	400	400	250

¹⁾ Pressure shown = item deliverable

²⁾ LL = very light series; ³⁾ L = light series; ⁴⁾ S = heavy series

$$\frac{\text{PN (bar)}}{10} = \text{PN (MPa)}$$

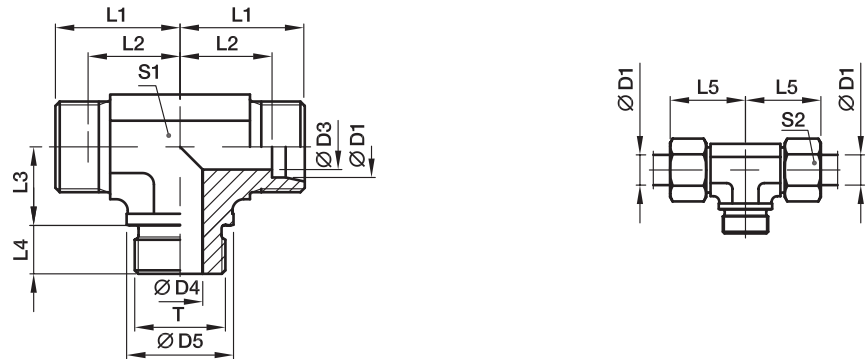
Delivery without nut and ring. Information on ordering complete fittings see page I7.

*Please add the **suffixes** below according to the material/surface required.

Order code suffixes		
Material	Suffix surface and material	Example
Steel, zinc plated, chrome ⁶ -free	CFX	WE16SRCFX
Steel, zinc yellow plated	A3CX	WE16SRA3CX
Stainless Steel	71X	WE16SR71X
Brass	MSX	WE16SRMSX

TE-M Male stud branch tee

EO 24° cone end / Male metric thread – metal sealing edge (ISO 9974)



Series	D1	T	D3	D4	D5	L1	L2	L3	L4	L5	S1	S2	Weight g/1 piece	Order code*	PN (bar) ¹⁾		
															CF	A3C	71
L ³⁾	22	M26×1.5	19	18	31	35	27.5	26	16	44	27	36	208	TE22LM	160	160	160
	28	M33×2	24	23	39	38	30.5	30	18	47	36	41	352	TE28LM	160	160	160
	35	M42×2	30	30	49	45	34.5	34	20	56	41	50	554	TE35LM	160	160	160
	42	M48×2	36	36	55	51	40.0	39	22	63	50	60	847	TE42LM	160	160	160
S ⁴⁾	20	M27×2	16	16	32	37	26.5	26	16	48	27	36	265	TE20SM	400	400	400
	25	M33×2	20	20	39	42	30.0	30	18	54	36	46	482	TE25SM	250	250	250
	30	M42×2	25	25	49	49	35.5	34	20	62	41	50	772	TE30SM	160	160	160
	38	M48×2	32	32	55	57	41.0	39	22	72	50	60	1121	TE38SM	160	160	160

¹⁾ Pressure shown = item deliverable

³⁾ L = light series; ⁴⁾ S = heavy series

$\frac{PN \text{ (bar)}}{10} = PN \text{ (MPa)}$

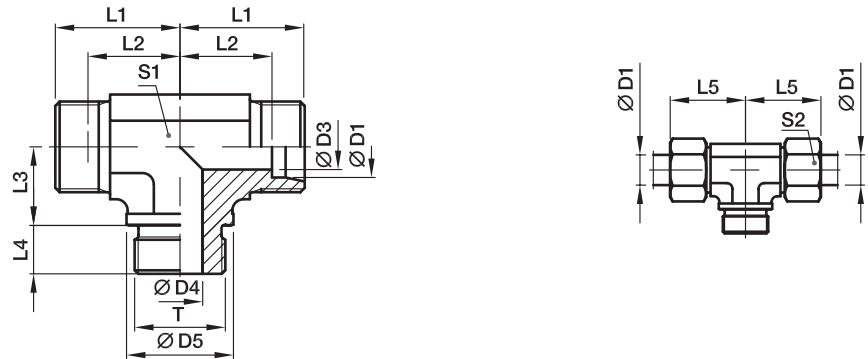
Delivery without nut and ring. Information on ordering complete fittings see page 17.

Order code suffixes		
Material	Suffix surface and material	Example
Steel, zinc plated, chrome ⁶ -free	CFX	TE20SMCFX
Steel, zinc yellow plated	A3CX	TE20SMA3CX
Stainless Steel	71X	TE20SM71X

*Please add the **suffixes** below according to the material/surface required.

TE-R Male stud branch tee

EO 24° cone end / Male BSPP thread – metal sealing edge (ISO 1179)



Series	D1	T	D3	D4	D5	L1	L2	L3	L4	L5	S1	S2	Weight g/1 piece	Order code*	PN (bar) ¹⁾			
															CF	A3C	71	MS
L ³⁾	22	G3/4A	19	18	32	35	27.5	26	16	44	27	36	208	TE22LR	160	160	160	100
	28	G1A	24	23	39	38	30.5	30	18	47	36	41	378	TE28LR	160	160	160	100
	35	G11/4A	30	30	49	45	34.5	34	20	56	41	50	554	TE35LR	160	160	160	100
	42	G11/2A	36	36	55	51	40.0	39	22	63	50	60	847	TE42LR	160	160	160	100
S ⁴⁾	20	G3/4 A	16	16	32	37	26.5	26	16	48	27	36	267	TE20SR	400	400	400	250
	25	G1A	20	20	39	42	30.0	30	18	54	36	46	485	TE25SR	250	250	250	
	30	G1 1/4 A	25	25	49	49	35.5	34	20	62	41	50	762	TE30SR	160	160	160	
	38	G1 1/2 A	32	32	55	57	41.0	39	22	72	50	60	1121	TE38SR	160	160	160	

¹⁾ Pressure shown = item deliverable

³⁾ L = light series; ⁴⁾ S = heavy series

$$\frac{\text{PN (bar)}}{10} = \text{PN (MPa)}$$

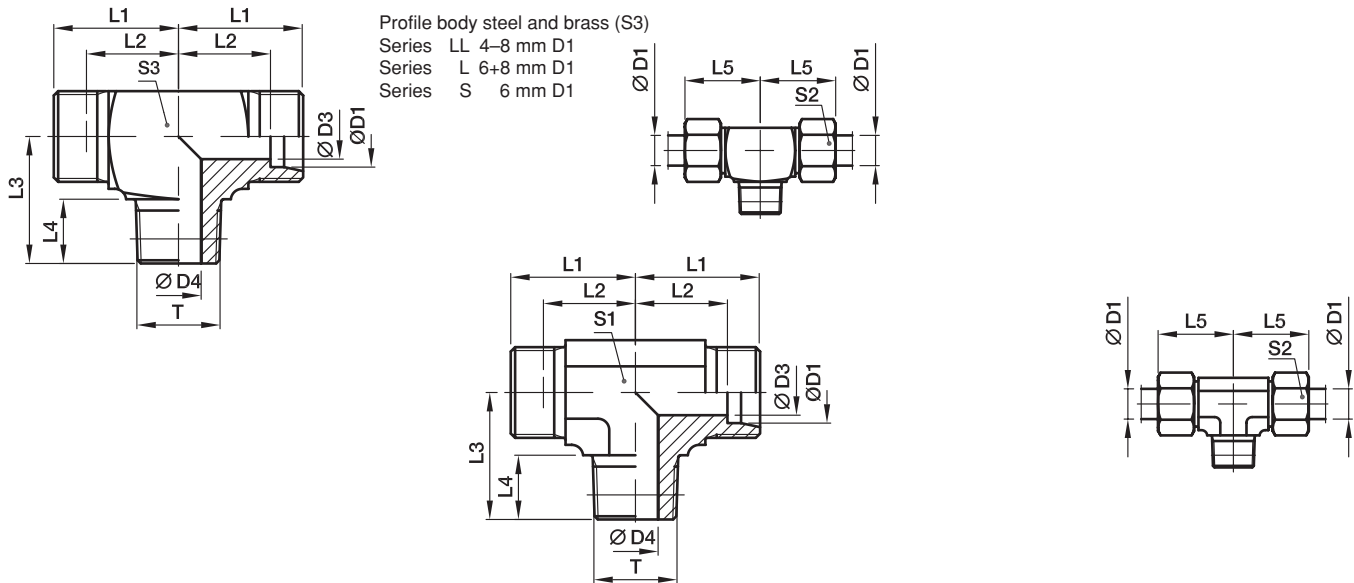
Delivery without nut and ring. Information on ordering complete fittings see page I7.

*Please add the **suffixes** below according to the material/surface required.

Order code suffixes		
Material	Suffix surface and material	Example
Steel, zinc plated, chrome ⁶ -free	CFX	TE20SRCFX
Steel, zinc yellow plated	A3CX	TE20SRA3CX
Stainless Steel	71X	TE20SR71X
Brass	MSX	TE20SRMSX

TE-R (KEG) Male stud branch tee

EO 24° cone end / Male short BSP taper thread (DIN 3852-2, type C)



Series	D1	T	D3	D4	L1	L2	L3	L4	L5	S1	S2	S3	Weight g/1 piece	Order code*	PN (bar) ¹⁾			
															CF	A3C	71	MS
LL ²⁾	04	R1/8keg.	3.0	4.0	15	11.0	17	8	21	9	10	11	21	TE04LLR	100	100	100	63
	06	R1/8keg.	4.5	4.5	15	9.5	17	8	21	9	12	11	21	TE06LLR	100	100	100	63
	08	R1/8keg.	6.0	6.0	17	11.5	20	8	23	12	14	12	29	TE08LLR	100	100	100	63
L ³⁾	06	R1/8keg.	4.0	4.0	19	12.0	20	8	27	12	14	12	38	TE06LR	315	315	315	200
	08	R1/4keg.	6.0	6.0	21	14.0	26	12	29	12	17	14	58	TE08LR	315	315	315	200
	10	R1/4keg.	8.0	7.0	22	15.0	27	12	30	14	19		43	TE10LR	315	315	315	200
	12	R3/8keg.	10.0	9.0	24	17.0	28	12	32	17	22		61	TE12LR	315	315	315	200
	15	R1/2keg.	12.0	11.0	28	21.0	34	14	36	19	27		113	TE15LR	315	315	315	200
	18	R1/2keg.	15.0	14.0	31	23.5	36	14	40	24	32		149	TE18LR	315	315	315	200
S ⁴⁾	06	R1/4keg.	4.0	4.0	23	16.0	26	12	31	12	17	14	73	TE06SR	400	400	400	250
	08	R1/4keg.	5.0	5.0	24	17.0	27	12	32	14	19		61	TE08SR	400	400	400	250
	10	R3/8keg.	7.0	7.0	25	17.5	28	12	34	17	22		82	TE10SR	400	400	400	250
	12	R3/8keg.	8.0	8.0	29	21.5	28	12	38	17	24		105	TE12SR	400	400	400	250
	14	R1/2keg.	10.0	10.0	30	22.0	32	14	40	19	27		134	TE14SR	400	400	400	250
	16	R1/2keg.	12.0	12.0	33	24.5	32	14	43	24	30		175	TE16SR	400	400	400	250

¹⁾ Pressure shown = item deliverable

²⁾ LL = very light series; ³⁾ L = light series; ⁴⁾ S = heavy series

$\frac{PN \text{ (bar)}}{10} = PN \text{ (MPa)}$

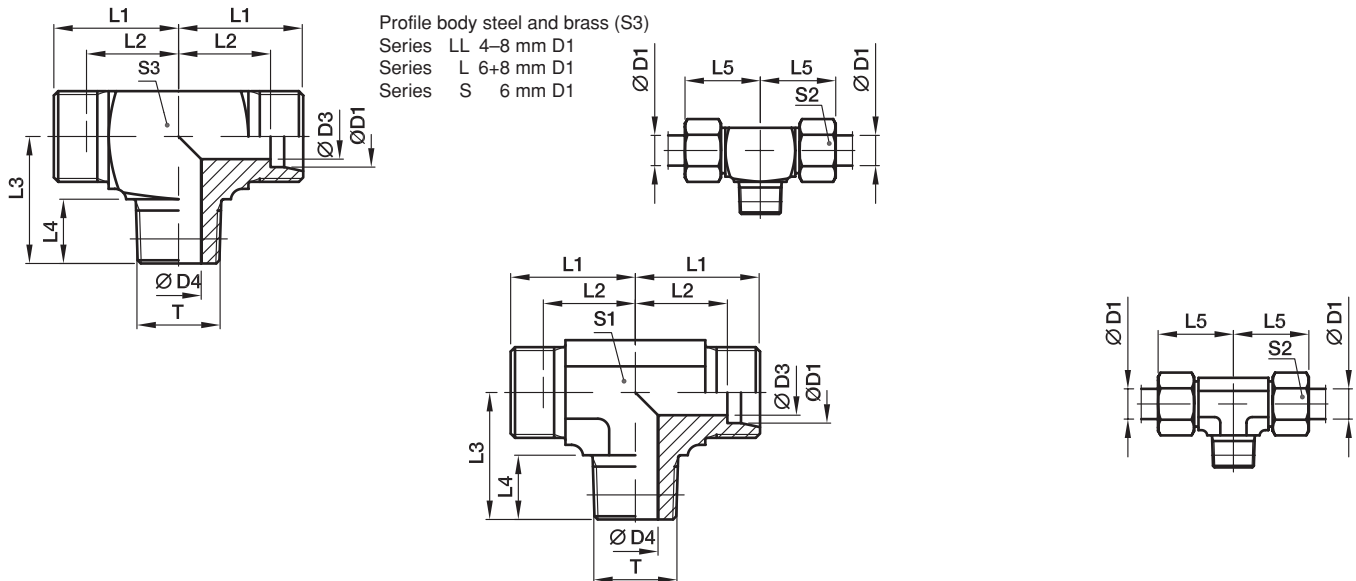
Delivery without nut and ring. Information on ordering complete fittings see page I7.

*Please add the **suffixes** below according to the material/surface required.

Order code suffixes		
Material	Suffix surface and material	Example
Steel, zinc plated, chrome ⁶ -free	CFX	TE16SRCFX
Steel, zinc yellow plated	A3CX	TE16SRA3CX
Stainless Steel	71X	TE16SR71X
Brass	MSX	TE16SRMSX

TE-M(KEG) Male stud branch tee

EO 24° cone end / Male short metric taper thread (DIN 3852-1, type C)



Series	D1	T	D3	D4	L1	L2	L3	L4	L5	S1	S2	S3	Weight g/1 piece	Order code*	PN (bar) ¹⁾		
															CF	A3C	71
LL ²⁾	04	M8×1tap.	3.0	3.5	15	11.0	17	8	21	9	10	9	17	TE04LLM	100	100	100
	06	M10×1tap.	4.5	4.5	15	9.5	17	8	21	9	12	11	20	TE06LLM	100	100	100
	08	M10×1tap.	6.0	6.0	17	11.5	20	8	23	12	14	12	29	TE08LLM	100	100	100
L ³⁾	06	M10×1tap.	4.0	4.0	19	12.0	20	8	27	12	14	12	38	TE06LM	315	315	315
	08	M12×1.5tap.	6.0	6.0	21	14.0	26	12	29	12	17	14	54	TE08LM	315	315	315
	10	M14×1.5tap.	8.0	7.0	22	15.0	27	12	30	14	19		45	TE10LM	315	315	315
	12	M16×1.5tap.	10.0	9.0	24	17.0	28	12	32	17	22		60	TE12LM	315	315	315
	15	M18×1.5tap.	12.0	11.0	28	21.0	32	12	36	19	27		100	TE15LM	315	315	315
	18	M22×1.5tap.	15.0	14.0	31	23.5	36	14	40	24	32		149	TE18LM	315	315	315
S ⁴⁾	06	M12×1.5tap.	4.0	4.0	23	16.0	26	12	31	12	17	14	69	TE06SM	400	400	400
	08	M14×1.5tap.	5.0	5.0	24	17.0	27	12	32	14	19		98	TE08SM	400	400	400
	10	M16×1.5tap.	7.0	7.0	25	17.5	28	12	34	17	22		82	TE10SM	400	400	400
	12	M18×1.5tap.	8.0	8.0	29	21.5	28	12	38	17	24		106	TE12SM	400	400	400
	14	M20×1.5tap.	10.0	10.0	30	22.0	32	14	40	19	27		126	TE14SM	400	400	400
	16	M22×1.5tap.	12.0	12.0	33	24.5	32	14	43	24	30		177	TE16SM	400	400	400

¹⁾ Pressure shown = item deliverable

²⁾ LL = very light series; ³⁾ L = light series; ⁴⁾ S = heavy series

$$\frac{\text{PN (bar)}}{10} = \text{PN (MPa)}$$

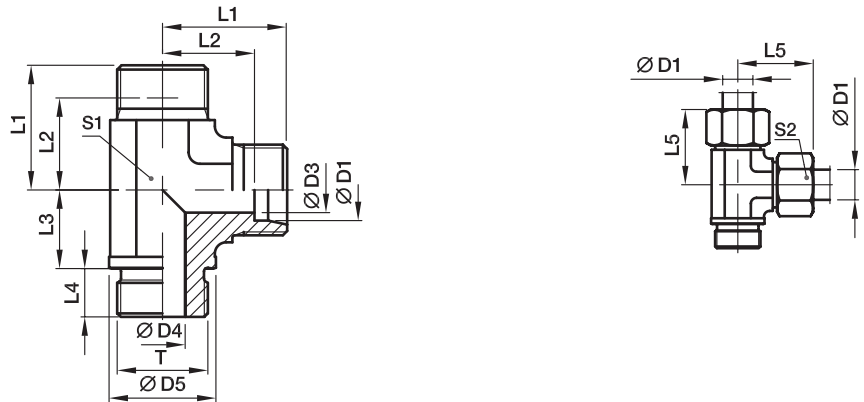
Delivery without nut and ring. Information on ordering complete fittings see page I7.

*Please add the **suffixes** below according to the material/surface required.

Order code suffixes		
Material	Suffix surface and material	Example
Steel, zinc plated, chrome ⁶ -free	CFX	TE16SMCFX
Steel, zinc yellow plated	A3CX	TE16SMA3CX
Stainless Steel	71X	TE16SM71X

LE-M Male stud run tee

EO 24° cone end / Male metric thread – metal sealing edge (ISO 9974)



Series	D1	T	D3	D4	D5	L1	L2	L3	L4	L5	S1	S2	Weight g/1 piece	Order code*	PN (bar) ¹⁾		
															CF	A3C	71
L ³⁾	22	M26×1.5	19	18	31	35	27.5	26	16	44	27	36	225	LE22LM	160	160	160
	28	M33×2	24	23	39	38	30.5	30	18	47	36	41	382	LE28LM	160	160	160
	35	M42×2	30	30	49	45	34.5	34	20	56	41	50	583	LE35LM	160	160	160
	42	M48×2	36	36	55	51	40.0	39	22	63	50	60	821	LE42LM	160	160	160
S ⁴⁾	20	M27×2	16	16	32	37	26.5	26	16	48	27	36	264	LE20SM	400	400	400
	25	M33×2	20	20	39	42	30.0	30	18	54	36	46	497	LE25SM	250	250	250
	30	M42×2	25	25	49	49	35.5	34	20	62	41	50	744	LE30SM	160	160	160
	38	M48×2	32	32	55	57	41.0	39	22	72	50	60	1111	LE38SM	160	160	160

¹⁾ Pressure shown = item deliverable

³⁾ L = light series; ⁴⁾ S = heavy series

$\frac{PN \text{ (bar)}}{10} = PN \text{ (MPa)}$

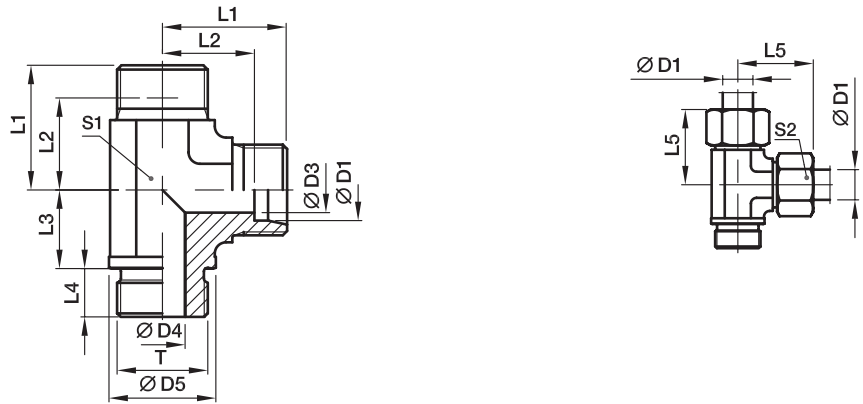
Delivery without nut and ring. Information on ordering complete fittings see page I7.

*Please add the **suffixes** below according to the material/surface required.

Order code suffixes		
Material	Suffix surface and material	Example
Steel, zinc plated, chrome ⁶ -free	CFX	LE20SMCFX
Steel, zinc yellow plated	A3CX	LE20SMA3CX
Stainless Steel	71X	LE20SM71X

LE-R Male stud run tee

EO 24° cone end / Male BSPP thread – metal sealing edge (ISO 1179)



Series	D1	T	D3	D4	D5	L1	L2	L3	L4	L5	S1	S2	Weight g/1 piece	Order code*	PN (bar) ¹⁾		
															CF	A3C	71
L ³⁾	22	G3/4A	19	18	32	35	27.5	26	16	44	27	36	225	LE22LR	160	160	160
	28	G1A	24	23	39	38	30.5	30	18	47	36	41	358	LE28LR	160	160	160
	35	G1 1/4A	30	30	49	45	34.5	34	20	56	41	50	583	LE35LR	160	160	160
	42	G1 1/2A	36	36	55	51	40.0	39	22	63	50	60	821	LE42LR	160	160	160
S ⁴⁾	20	G3/4A	16	16	32	37	26.5	26	16	48	27	36	259	LE20SR	400	400	400
	25	G1A	20	20	39	42	30.0	30	18	54	36	46	495	LE25SR	250	250	250
	30	G1 1/4A	25	25	49	49	35.5	34	20	62	41	50	744	LE30SR	160	160	160
	38	G1 1/2A	32	32	55	57	41.0	39	22	72	50	60	1111	LE38SR	160	160	160

¹⁾ Pressure shown = item deliverable

³⁾ L = light series; ⁴⁾ S = heavy series

$\frac{PN \text{ (bar)}}{10} = PN \text{ (MPa)}$

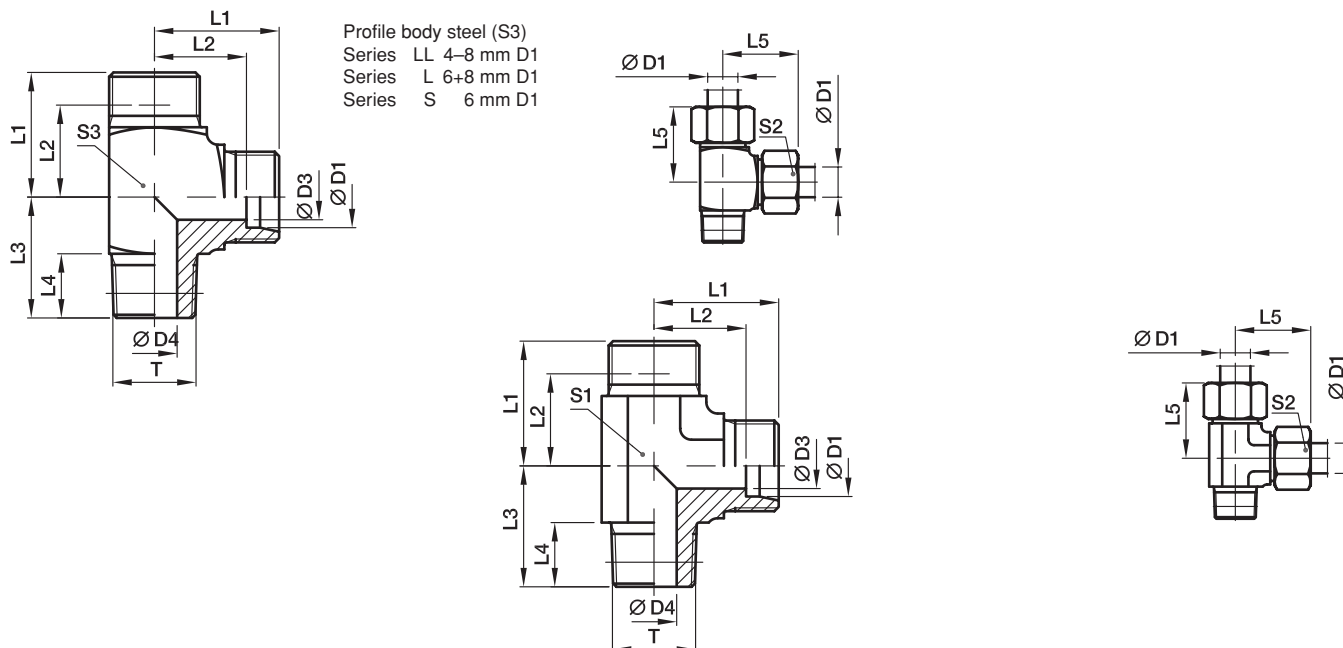
Delivery without nut and ring. Information on ordering complete fittings see page I7.

Order code suffixes		
Material	Suffix surface and material	Example
Steel, zinc plated, chrome ⁶ -free	CFX	LE20SRCFX
Steel, zinc yellow plated	A3CX	LE20SRA3CX
Stainless Steel	71X	LE20SR71X

*Please add the **suffixes** below according to the material/surface required.

LE-R (KEG) Male stud run tee

EO 24° cone end / Male short BSP taper thread (DIN 3852-2, type C)



Series	D1	T	D3	D4	L1	L2	L3	L4	L5	S1	S2	S3	Weight g/1 piece	Order code*	PN (bar) ¹⁾		
															CF	A3C	71
LL ²⁾	04	R1/8tap.	3.0	4.0	15	11.0	17	8	21	9	10	11	20	LE04LLR	100	100	100
	06	R1/8tap.	4.5	4.5	15	9.5	17	8	21	9	12	11	21	LE06LLR	100	100	100
	08	R1/8tap.	6.0	6.0	17	11.5	20	8	23	12	14	12	28	LE08LLR	100	100	100
L ³⁾	06	R1/8tap.	4.0	4.0	19	12.0	20	8	27	12	14	12	40	LE06LR	315	315	315
	08	R1/4tap.	6.0	6.0	21	14.0	26	12	29	12	17	14	57	LE08LR	315	315	315
	10	R1/4tap.	8.0	7.0	22	15.0	27	12	30	14	19		50	LE10LR	315	315	315
	12	R3/8tap.	10.0	9.0	24	17.0	28	12	32	17	22		60	LE12LR	315	315	315
	15	R1/2tap.	12.0	11.0	28	21.0	34	14	36	19	27		115	LE15LR	315	315	315
	18	R1/2tap.	15.0	14.0	31	23.5	36	14	40	24	32		145	LE18LR	315	315	315
S ⁴⁾	06	R1/4tap.	4.0	4.0	23	16.0	26	12	31	12	17	14	71	LE06SR	400	400	400
	08	R1/4tap.	5.0	5.0	24	17.0	27	12	32	14	19		62	LE08SR	400	400	400
	10	R3/8tap.	7.0	7.0	25	17.5	28	12	34	17	22		82	LE10SR	400	400	400
	12	R3/8tap.	8.0	8.0	29	21.5	28	12	38	17	24		102	LE12SR	400	400	400
	14	R1/2tap.	10.0	10.0	30	22.0	32	14	40	19	27		130	LE14SR	400	400	400
	16	R1/2tap.	12.0	12.0	33	24.5	32	14	43	24	30		193	LE16SR	400	400	400

¹⁾ Pressure shown = item deliverable

²⁾ LL = very light series; ³⁾ L = light series; ⁴⁾ S = heavy series

$$\frac{\text{PN (bar)}}{10} = \text{PN (MPa)}$$

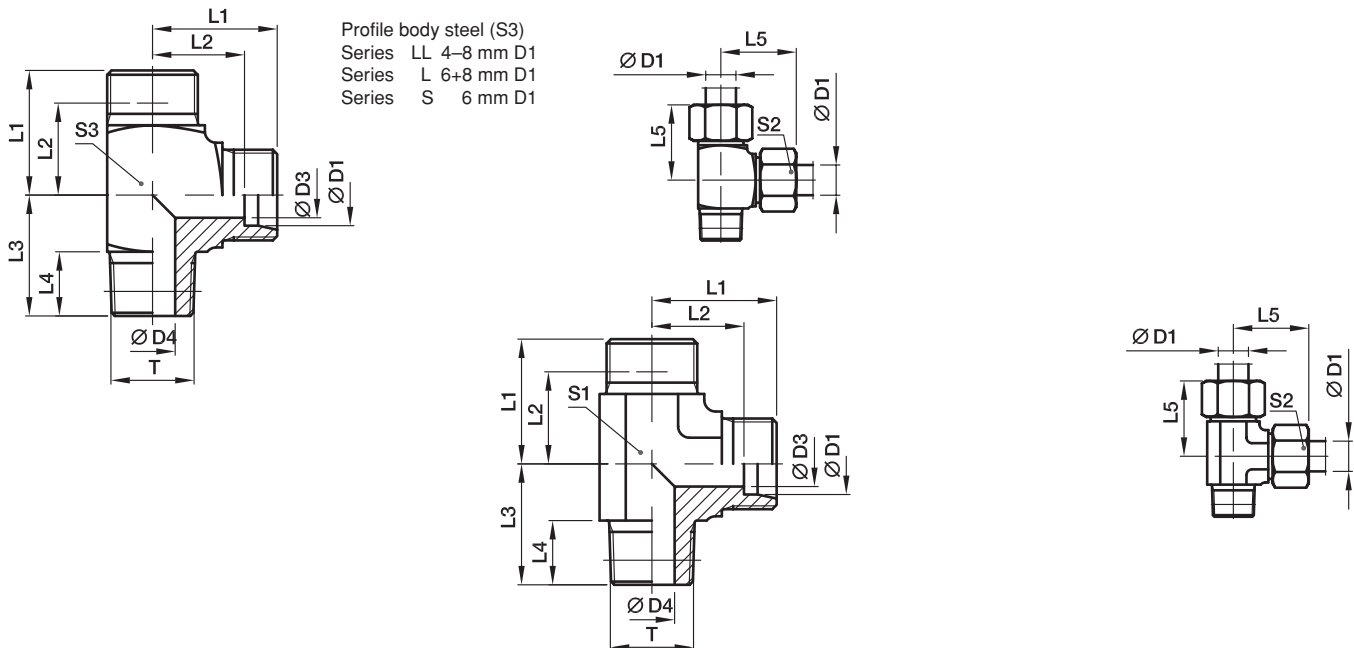
Delivery without nut and ring. Information on ordering complete fittings see page 17.

*Please add the **suffixes** below according to the material/surface required.

Order code suffixes		
Material	Suffix surface and material	Example
Steel, zinc plated, chrome ⁶ -free	CFX	LE16SRCFX
Steel, zinc yellow plated	A3CX	LE16SRA3CX
Stainless Steel	71X	LE16SR71X

LE-M(KEG) Male stud run tee

EO 24° cone end / Male short metric taper thread (DIN 3852-1, Form C)



Profile body steel (S3)
 Series LL 4-8 mm D1
 Series L 6+8 mm D1
 Series S 6 mm D1

Series	D1	T	D3	D4	L1	L2	L3	L4	L5	S1	S2	S3	Weight g/1 piece	Order code*	PN (bar) ¹⁾		
															CF	A3C	71
LL ²⁾	04	M8×1tap.	3.0	3.5	15	11.0	17	8	21	9	10	9	17	LE04LLM	100	100	100
	06	M10×1tap.	4.5	4.5	15	9.5	17	8	21	9	12	11	21	LE06LLM	100	100	100
	08	M10×1tap.	6.0	6.0	17	11.5	20	8	23	12	14	12	29	LE08LLM	100	100	100
L ³⁾	06	M10×1tap.	4.0	4.0	19	12.0	20	8	27	12	14	12	38	LE06LM	315	315	315
	08	M12×1.5tap.	6.0	6.0	21	14.0	26	12	29	12	17	14	56	LE08LM	315	315	315
	10	M14×1.5tap.	8.0	7.0	22	15.0	27	12	30	14	19		47	LE10LM	315	315	315
	12	M16×1.5tap.	10.0	9.0	24	17.0	28	12	32	17	22		58	LE12LM	315	315	315
	15	M18×1.5tap.	12.0	11.0	28	21.0	32	12	36	19	27		98	LE15LM	315	315	315
	18	M22×1.5tap.	15.0	14.0	31	23.5	36	14	40	24	32		156	LE18LM	315	315	315
S ⁴⁾	06	M12×1.5tap.	4.0	4.0	23	16.0	26	12	31	12	17	14	70	LE06SM	400	400	400
	08	M14×1.5tap.	5.0	5.0	24	17.0	27	12	32	14	19		66	LE08SM	400	400	400
	10	M16×1.5tap.	7.0	7.0	25	17.5	28	12	34	17	22		123	LE10SM	400	400	400
	12	M18×1.5tap.	8.0	8.0	29	21.5	28	12	38	17	24		169	LE12SM	400	400	400
	14	M20×1.5tap.	10.0	10.0	30	22.0	32	14	40	19	27		174	LE14SM	400	400	400
	16	M22×1.5tap.	12.0	12.0	33	24.5	32	14	43	24	30		178	LE16SM	400	400	400

¹⁾ Pressure shown = item deliverable

²⁾ LL = very light series; ³⁾ L = light series; ⁴⁾ S = heavy series

$\frac{PN(\text{bar})}{10} = PN(\text{MPa})$

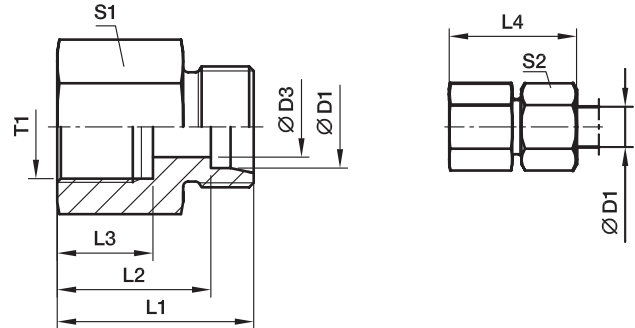
Delivery without nut and ring. Information on ordering complete fittings see page 17.

*Please add the **suffixes** below according to the material/surface required.

Order code suffixes		
Material	Suffix surface and material	Example
Steel, zinc plated, chrome ⁶ -free	CFX	LE16SMCFX
Steel, zinc yellow plated	A3CX	LE16SMA3CX
Stainless Steel	71X	LE16SM71X

GAI-M Female connector

Female metric thread (ISO 9974-1) / EO 24° cone end



Series	D1	T1	D3	L1	L2	L3	L4	S1	S2	Weight g/1 piece	Order code*	PN (bar) ¹⁾		
												CF	A3C	71
L ³⁾	06	M10×1	4	26.5	19.5	12.5	34	14	14	18	GAI06LM	315	315	315
	08	M12×1.5	6	31.0	24.0	17.0	39	17	17	32	GAI08LM	315	315	315
	10	M14×1.5	8	32.0	25.0	17.0	40	19	19	39	GAI10LM	315	315	315
	12	M16×1.5	10	33.0	26.0	17.0	41	22	22	52	GAI12LM	315	315	315
	15	M18×1.5	12	35.0	28.0	17.0	43	24	27	68	GAI15LM	315	315	315
	18	M22×1.5	15	37.0	29.5	19.0	46	30	32	111	GAI18LM	315	315	315
	22	M26×1.5	19	42.0	34.5	21.0	51	32	36	123	GAI22LM	160	160	160
	28	M33×2	24	45.0	37.5	24.0	54	41	41	211	GAI28LM	160	160	160
	35	M42×2	30	51.0	40.5	26.0	62	55	50	459	GAI35LM	160	160	160
	42	M48×2	36	53.0	42.0	28.0	65	60	60	522	GAI42LM	160	160	160
S ⁴⁾	06	M12×1.5	4	33.0	26.0	17.0	41	17	17	35	GAI06SM	400	400	400
	08	M14×1.5	5	33.0	26.0	17.0	41	17	19	42	GAI08SM	400	400	400
	10	M16×1.5	7	34.0	26.5	17.0	43	22	22	58	GAI10SM	400	400	400
	12	M18×1.5	8	35.0	27.5	17.0	44	24	24	70	GAI12SM	400	400	400
	14	M20×1.5	10	39.0	31.0	19.0	49	27	27	95	GAI14SM	400	400	400
	16	M22×1.5	12	39.0	30.5	19.0	49	30	30	114	GAI16SM	400	400	400
	20	M27×2	16	45.0	34.5	22.0	56	36	36	189	GAI20SM	315	315	315
	25	M33×2	20	49.0	37.0	24.0	61	41	46	235	GAI25SM	315	315	315
	30	M42×2	25	55.0	41.5	26.0	68	55	50	490	GAI30SM	315	315	315
	38	M48×2	32	59.0	43.0	28.0	74	60	60	597	GAI38SM	250	250	250

1) Pressure shown = item deliverable

3) L = light series; 4) S = heavy series

$$\frac{\text{PN (bar)}}{10} = \text{PN (MPa)}$$

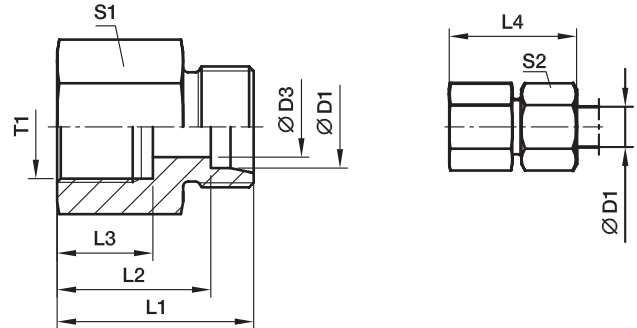
Delivery without nut and ring. Information on ordering complete fittings see page 17.

Order code suffixes		
Material	Suffix surface and material	Example
Steel, zinc plated, chrome ⁶ -free	CFX	GAI16SMCFX
Steel, zinc yellow plated	A3CX	GAI16SMA3CX
Stainless Steel	71X	GAI16SM71X

*Please add the **suffixes** below according to the material/surface required.

GAI-R Female connector

Female BSPP thread (ISO 1179-1) / EO 24° cone end



Series	D1 	T1	D3	L1	L2	L3	L4	S1	S2	Weight g/1 piece	Order code*	PN (bar) ¹⁾			
												CF	A3C	71	MS
L ³⁾	06	G1/8	4	26.0	19.0	12.0	34	14	14	18	GAI06LR	315	315	315	200
	06	G1/4	4	31.0	24.0	17.0	39	19	14	39	GAI06LR1/4	315	315	315	200
	08	G1/4	6	31.0	24.0	17.0	39	19	17	39	GAI08LR	315	315	315	200
	08	G3/8	6	32.0	25.0	17.0	40	24	17	61	GAI08LR3/8	315	315	315	200
	08	G1/2	6	36.0	29.0	20.0	44	27	17	80	GAI08LR1/2	315	315	315	200
	10	G1/4	8	32.0	25.0	17.0	40	19	19	40	GAI10LR	315	315	315	200
	10	G3/8	8	33.0	26.0	17.0	41	24	19	63	GAI10LR3/8	315	315	315	200
	10	G1/2	8	37.0	30.0	20.0	45	27	19	81	GAI10LR1/2	315	315	315	200
	12	G3/8	10	33.0	26.0	17.0	41	24	22	64	GAI12LR	315	315	315	200
	12	G1/2	10	37.0	30.0	20.0	45	27	22	83	GAI12LR1/2	315	315	315	200
	15	G1/2	12	38.0	31.0	20.0	46	27	27	87	GAI15LR	315	315	315	200
	18	G1/2	15	38.0	30.5	20.0	47	27	32	89	GAI18LR	315	315	315	200
	18	G3/8	15	34.0	26.5	17.0	43	27	32	95	GAI18LR3/8	315	315	315	200
	22	G3/4	19	43.0	35.5	22.0	52	36	36	173	GAI22LR	160	160	160	100
	28	G1	24	45.5	38.0	24.5	55	41	41	211	GAI28LR	160	160	160	100
	35	G11/4	30	51.5	41.0	26.5	63	55	50	469	GAI35LR	160	160	160	100
	42	G11/2	36	53.5	42.5	28.5	65	60	60	540	GAI42LR	160	160	160	100
	S ⁴⁾	06	G1/4	4	33.0	26.0	17.0	41	19	17	43	GAI06SR	400	400	400
08		G1/4	5	33.0	26.0	17.0	41	19	19	47	GAI08SR	400	400	400	
10		G3/8	7	34.0	26.5	17.0	43	24	22	68	GAI10SR	400	400	400	
12		G3/8	8	34.0	26.5	17.0	43	24	24	71	GAI12SR	400	400	400	
12		G1/2	8	38.0	30.5	20.0	47	30	24	121	GAI12SR1/2	400	400	400	
14		G1/2	10	40.0	32.0	20.0	50	30	27	125	GAI14SR	400	400	400	
16		G1/2	12	40.0	31.5	20.0	50	30	30	126	GAI16SR	400	400	400	
20		G3/4	16	45.0	34.5	22.0	56	36	36	196	GAI20SR	315	315	315	
25		G1	20	49.5	37.5	24.5	62	41	46	246	GAI25SR	315	315	315	
30		G11/4	25	55.5	42.0	26.5	69	55	50	537	GAI30SR	315	315	315	
38		G11/2	32	59.5	43.5	28.5	74	60	60	649	GAI38SR	250	250	250	

¹⁾ Pressure shown = item deliverable

³⁾ L = light series; ⁴⁾ S = heavy series

$\frac{\text{PN (bar)}}{10} = \text{PN (MPa)}$

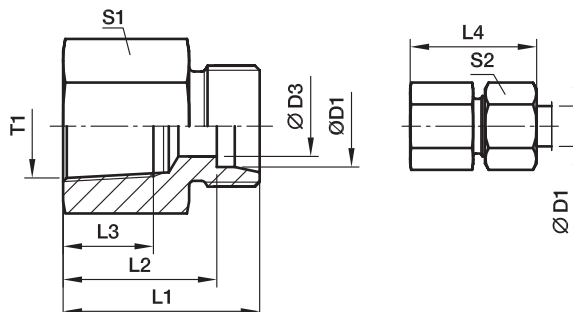
Delivery without nut and ring. Information on ordering complete fittings see page I7.

*Please add the **suffixes** below according to the material/surface required.

Order code suffixes		
Material	Suffix surface and material	Example
Steel, zinc plated, chrome ⁶ -free	CFX	GAI16SRCFX
Steel, zinc yellow plated	A3CX	GAI16SRA3CX
Stainless Steel	71X	GAI16SR71X
Brass	MSX	GAI16SRMSX

GAI-NPT Female connector

Female NPT thread (SAE 476) / EO 24° cone end



Series	D1	T1	D3	L1	L2	L3	L4	S1	S2	Weight g/1 piece	Order code*	PN (bar) ¹⁾		
												CF	A3C	71
L ³⁾	06	1/8-27NPT	4	26.0	19.0	11.6	34	14	14	19	GAI06L1/8NPT	315	315	315
	06	1/4-18NPT	4	30.5	23.5	16.4	38	19	14	38	GAI06L1/4NPT	315	315	315
	08	1/4-18NPT	6	30.5	23.5	16.4	38	19	17	39	GAI08L1/4NPT	315	315	315
	10	1/4-18NPT	8	31.0	24.0	16.4	39	19	19	40	GAI10L1/4NPT	315	315	315
	12	3/8-18NPT	10	34.0	27.0	17.4	42	24	22	69	GAI12L3/8NPT	315	315	315
	12	1/2-14NPT	10	39.0	32.0	22.6	47	27	22	91	GAI12L1/2NPT	315	315	315
	15	1/2-14NPT	12	40.0	33.0	22.6	48	27	27	96	GAI15L1/2NPT	315	315	315
	18	1/2-14NPT	15	40.0	32.5	22.6	49	27	32	99	GAI18L1/2NPT	315	315	315
	22	3/4-14NPT	19	43.0	35.5	23.1	52	36	36	184	GAI22L3/4NPT	160	160	160
	28	1-11 1/2NPT	24	48.0	40.5	27.8	57	41	41	238	GAI28L1NPT	160	160	160
	35	1 1/4-11 1/2NPT	30	51.0	40.5	28.3	62	55	50	424	GAI35L11/4NPT	160	160	160
	42	1 1/2-11 1/2NPT	36	53.0	42.0	28.3	65	60	60	547	GAI42L11/2NPT	160	160	160
S ⁴⁾	06	1/8-27NPT	4	29.0	22.0	11.6	36	14	17	25	GAI06S1/8NPT	400	400	400
	06	1/4-18NPT	4	33.0	26.0	16.4	41	19	17	41	GAI06S1/4NPT	400	400	400
	08	1/4-18NPT	5	33.0	26.0	16.4	41	19	19	42	GAI08S1/4NPT	400	400	400
	10	3/8-18NPT	7	35.0	27.0	17.4	44	24	22	74	GAI10S3/8NPT	400	400	400
	12	1/4-18NPT	8	32.5	25.0	16.4	41	22	24	81	GAI12S1/4NPT	400	400	400
	12	3/8-18NPT	8	35.0	27.5	17.4	44	24	24	76	GAI12S3/8NPT	400	400	400
	12	1/2-14NPT	8	41.0	33.5	22.6	50	27	24	101	GAI12S1/2NPT	400	400	400
	14	1/2-14NPT	10	43.0	35.0	22.6	53	27	27	108	GAI14S1/2NPT	400	400	400
	16	1/2-14NPT	12	43.0	34.5	22.6	50	27	30	111	GAI16S1/2NPT	400	400	400
	20	1/2-14NPT	16	44.0	33.5	22.6	55	32	36	129	GAI20S1/2NPT	315	315	315
	20	3/4-14NPT	16	46.0	35.5	23.1	57	36	36	214	GAI20S3/4NPT	315	315	315
	25	1-11 1/2NPT	20	53.0	41.0	27.8	65	41	46	288	GAI25S1NPT	315	315	315
	30	1 1/4-11 1/2NPT	25	57.0	43.5	28.3	70	55	50	559	GAI30S11/4NPT	315	315	315
	38	1 1/2-11 1/2NPT	32	59.0	43.0	28.3	74	60	60	632	GAI38S11/2NPT	250	250	250

¹⁾ Pressure shown = item deliverable

³⁾ L = light series; ⁴⁾ S = heavy series

$$\frac{\text{PN (bar)}}{10} = \text{PN (MPa)}$$

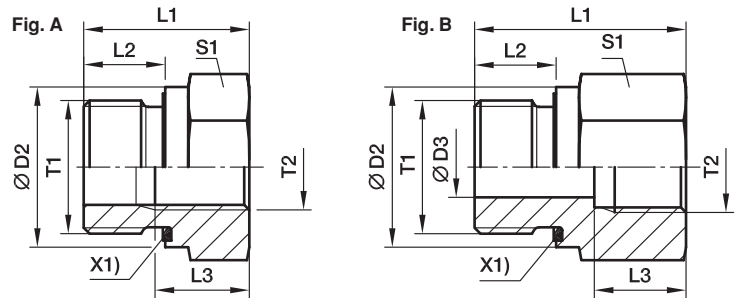
Delivery without nut and ring. Information on ordering complete fittings see page 17.

*Please add the **suffixes** below according to the material/surface required.

Order code suffixes		
Material	Suffix surface and material	Example
Steel, zinc plated, chrome ⁶ -free	CFX	GAI16S1/2NPTCFX
Steel, zinc yellow plated	A3CX	GAI16S1/2NPTA3CX
Stainless Steel	71X	GAI16S1/2NPT71X

RI-ED Thread reducer/expander

Male BSPP thread – ED-seal (ISO 1179) / Female BSPP thread (ISO 1179-1)



X1) Eolastic-sealing ED

Male Stud T1	Female Stud T2	D2	D3	L1	L2	L3	S1	Fig.	Weight g/1 piece	Order code*	PN (bar) ¹⁾		
											CF	A3C	71
G 1/8 A	G 1/4	14	4	31.0	8	17.0	19	B	41	RI1/8EDX1/4	400	400	400
G 1/8 A	G 3/8	14	4	32.0	8	17.0	24	B	63	RI1/8EDX3/8	400	400	400
G 1/4 A	G 1/8	19	5	29.0	12	12.0	19	B	41	RI1/4EDX1/8	400	400	400
G 1/4 A	G 3/8	19	5	36.0	12	17.0	24	B	69	RI1/4EDX3/8	400	400	400
G 1/4 A	G 1/2	19	5	40.0	12	20.0	30	B	120	RI1/4EDX1/2	400	400	400
G 1/4 A	G 3/4	19	5	43.0	12	22.0	36	B	171	RI1/4EDX3/4	400	400	400
G 3/8 A	G 1/8	22		22.5	12	8.0	22	A	38	RI3/8EDX1/8	400	400	400
G 3/8 A	G 1/4	22	8	36.0	12	17.0	22	B	68	RI3/8EDX1/4	400	400	400
G 3/8 A	G 1/2	22	8	41.0	12	20.0	30	B	124	RI3/8EDX1/2	400	400	400
G 3/8 A	G 3/4	22	8	44.0	12	22.0	36	B	182	RI3/8EDX3/4	315	315	315
G 1/2 A	G 1/8	27		24.0	14	8.0	27	A	65	RI1/2EDX1/8	400	400	400
G 1/2 A	G 1/4	27		24.0	14	12.0	27	A	56	RI1/2EDX1/4	400	400	400
G 1/2 A	G 3/8	27	12	37.0	14	17.0	27	B	95	RI1/2EDX3/8	400	400	400
G 1/2 A	G 3/4	27	12	46.0	14	22.0	36	B	183	RI1/2EDX3/4	315	315	315
G 1/2 A	G 1	27	12	49.0	14	24.5	41	B	232	RI1/2EDX1	315	315	315
G 1/2 A	G 1 1/4	27	10	53.0	14	26.5	55	B	481	RI1/2EDX11/4	315	315	315
G 3/4 A	G 1/4	32		26.0	16	12.0	32	A	103	RI3/4EDX1/4	315	315	315
G 3/4 A	G 3/8	32		26.0	16	12.0	32	A	86	RI3/4EDX3/8	315	315	315
G 3/4 A	G 1/2	32	16	43.0	16	20.0	32	B	156	RI3/4EDX1/2	315	315	315
G 3/4 A	G 1	32	16	51.0	16	24.5	41	B	237	RI3/4EDX1	315	315	315
G 3/4 A	G 1 1/4	32	16	55.0	16	26.5	55	B	486	RI3/4EDX11/4	315	315	315
G 3/4 A	G 1 1/2	32	16	57.0	16	28.5	60	B	561	RI3/4EDX11/2	250	250	250
G 1 A	G 1/4	40		29.0	18	12.0	41	A	197	RI1EDX1/4	315	315	315
G 1 A	G 3/8	40		29.0	18	12.0	41	A	179	RI1EDX3/8	315	315	315
G 1 A	G 1/2	40		29.0	18	14.0	41	A	153	RI1EDX1/2	315	315	315
G 1 A	G 3/4	40	20	49.0	18	22.0	41	B	290	RI1EDX3/4	315	315	315
G 1 A	G 1 1/4	40	20	57.0	18	26.5	55	B	503	RI1EDX11/4	315	315	315
G 1 A	G 1 1/2	40	20	59.0	18	28.5	60	B	585	RI1EDX11/2	250	250	250
G 1 1/4 A	G 1/2	50		32.0	20	14.0	50	A	313	RI11/4EDX1/2	315	315	315
G 1 1/4 A	G 3/4	50		32.0	20	16.0	50	A	393	RI11/4EDX3/4	315	315	315
G 1 1/4 A	G 1	50	25	5.0	20	24.5	50	B	469	RI11/4EDX1	315	315	315
G 1 1/4 A	G 1 1/2	50	25	60.0	20	28.5	60	B	624	RI11/4EDX11/2	250	250	250
G 1 1/2 A	G 1/2	55		36.0	22	14.0	55	A	470	RI11/2EDX1/2	250	250	250
G 1 1/2 A	G 3/4	55		36.0	22	16.0	55	A	415	RI11/2EDX3/4	250	250	250
G 1 1/2 A	G 1	55		36.0	22	18.0	55	A	338	RI11/2EDX1	250	250	250
G 1 1/2 A	G 1 1/4	55	32	58.0	22	26.5	55	B	542	RI11/2EDX11/4	250	250	250
G 2 A	G 1 1/2	75	40	65.0	24	28.5	75	B	1309	RI2EDX11/2	160	160	

¹⁾ Pressure shown = item deliverable

PN (bar) = PN (MPa)
10

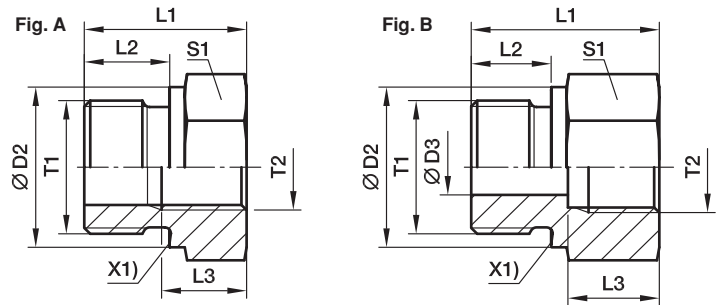
Information on ordering alternative sealing materials see page 17.

*Please add the **suffixes** below according to the material/surface required.

Order code suffixes			
Material	Suffix surface and material	Example	Standard sealing material (no additional suffix needed)
Steel, zinc plated, chrome ²⁾ -free	CF	RI1EDX1/2CF	NBR
Steel, zinc yellow plated	A3C	RI1EDX1/2A3C	NBR
Stainless Steel	71	RI1EDX1/271	VIT

RI Thread reducer/expander

Male BSPP thread – metal sealing edge (ISO 1179) / Female BSPP thread (ISO 1179-1)



X1) metal sealing edge

Male Stud T1	Male Stud T2	D2	D3	L1	L2	L3	S1	Fig.	Weight g/1 piece	Order code*	PN (bar) ¹⁾			
											CF	A3C	71	MS
G 1/8 A	G 1/4	14	4	31.0	8	17.0	19	B	42	RI1/8X1/4	400	400	400	250
G 1/8 A	G 3/8	14	4	32.0	8	17.0	24	B	63	RI1/8X3/8	400	400	400	250
G 1/4 A	G 1/8	18	5	28.0	12	12.0	19	B	38	RI1/4X1/8	400	400	400	250
G 1/4 A	G 3/8	18	5	36.0	12	17.0	24	B	69	RI1/4X3/8	400	400	400	250
G 1/4A	G 1/2	18	5	40.0	12	20.0	30	B	116	RI1/4X1/2	400	400	400	250
G 1/4 A	G 3/4	18	5	43.0	12	22.0	36	B	170	RI1/4X3/4	315	315	315	200
G 3/8 A	G 1/8	22		22.5	12	8.0	22	A	39	RI3/8X1/8	400	400	400	250
G 3/8 A	G 1/4	22	8	36.0	12	17.0	22	B	68	RI3/8X1/4	400	400	400	250
G 3/8 A	G 1/2	22	8	41.0	12	20.0	30	B	125	RI3/8X1/2	400	400	400	250
G 3/8 A	G 3/4	22	8	44.0	12	22.0	36	B	183	RI3/8X3/4	315	315	315	200
G 1/2 A	G 1/8	26		24.0	14	8.0	27	A	66	RI1/2X1/8	400	400	400	250
G 1/2 A	G 1/4	26		24.0	14	12.0	27	A	56	RI1/2X1/4	315	315	315	200
G 1/2 A	G 3/8	26	12	36.0	14	17.0	27	B	94	RI1/2X3/8	315	315	315	200
G 1/2 A	G 3/4	26	12	46.0	14	22.0	36	B	182	RI1/2X3/4	315	315	315	200
G 1/2 A	G 1	26	12	49.0	14	24.5	41	B	221	RI1/2X1	315	315	315	200
G 1/2 A	G 1 1/4	26	10	53.0	14	26.5	55	B	482	RI1/2X11/4	160	160	160	
G 3/4 A	G 1/4	32		26.0	16	12.0	32	A	103	RI3/4X1/4	315	315	315	200
G 3/4 A	G 3/8	32		26.0	16	12.0	32	A	87	RI3/4X3/8	315	315	315	200
G 3/4 A	G 1/2	32	16	41.0	16	20.0	32	B	143	RI3/4X1/2	315	315	315	200
G 3/4 A	G 1	32	16	51.0	16	24.5	41	B	235	RI3/4X1	315	315	315	200
G 3/4 A	G 1 1/4	32	16	55.0	16	26.5	55	B	481	RI3/4X11/4	160	160	160	
G 3/4 A	G 1 1/2	32	16	57.0	16	28.5	60	B	560	RI3/4X11/2	160	160	160	
G 1 A	G 1/4	39		29.0	18	12.0	41	A	195	RI1X1/4	315	315	315	
G 1 A	G 3/8	39		29.0	18	12.0	41	A	179	RI1X3/8	315	315	315	200
G 1 A	G 1/2	39		29.0	18	14.0	41	A	157	RI1X1/2	315	315	315	200
G 1 A	G 3/4	39	20	47.0	18	22.0	41	B	278	RI1X3/4	315	315	315	200
G 1 A	G 1 1/4	39	20	57.0	18	26.5	55	B	530	RI1X11/4	160	160	160	100
G 1 A	G 1 1/2	39	20	59.0	18	28.5	60	B	585	RI1X11/2	160	160	160	100
G 1 1/4 A	G 1/2	49		32.0	20	14.0	50	A	308	RI11/4X1/2	160	160	160	100
G 1 1/4 A	G 3/4	49		32.0	20	16.0	50	A	267	RI11/4X3/4	160	160	160	100
G 1 1/4 A	G 1	49	25	52.0	20	24.5	50	B	458	RI11/4X1	160	160	160	100
G 1 1/4 A	G 1 1/2	49	25	60.0	20	28.5	60	B	616	RI11/4X11/2	160	160	160	100
G 1 1/2 A	G 1/2	55		36.0	22	14.0	55	A	477	RI11/2X1/2	160	160	160	100
G 1 1/2 A	G 3/4	55		36.0	22	16.0	55	A	402	RI11/2X3/4	160	160	160	100
G 1 1/2 A	G 1	55		36.0	22	18.0	55	A	337	RI11/2X1	160	160	160	100
G 1 1/2 A	G 1 1/4	55	32	58.0	22	26.5	55	B	542	RI11/2X11/4	160	160	160	100
G 2 A	G 1 1/2	68	40	62.0	24	28.5	70	B	990	RI2X11/2	160	160		

¹⁾ Pressure shown = item deliverable

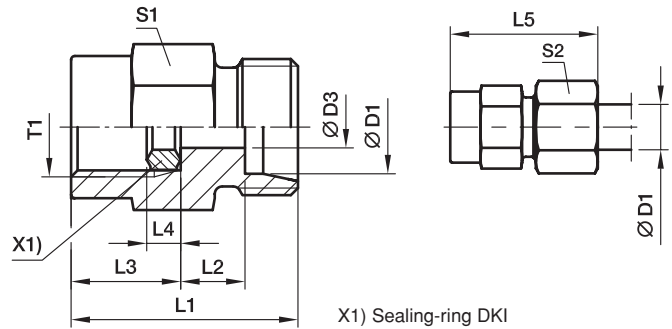
$$\frac{\text{PN (bar)}}{10} = \text{PN (MPa)}$$

*Please add the **suffixes** below according to the material/surface required.

Order code suffixes		
Material	Suffix surface and material	Example
Steel, zinc plated, chrome ⁶ -free	CFX	RI1X1/2CFX
Steel, zinc yellow plated	A3CX	RI1X1/2A3CX
Stainless Steel	71X	RI1X1/271X
Brass	MSX	RI1X1/2MSX

MAV Pressure gauge connector

Female BSPP thread / EO 24° cone end



Series	D1 	T1	D3	L1	L2	L3	L4	L5	S1	S2	Weight g/1 piece	Order code*	PN (bar) ¹⁾			
													CF	A3C	71	MS
LL ²⁾	04	G1/4	2.5	27	8.5	14.5	4.5	33	19	10	33	MAV04LLROMD	100	100		
L ³⁾	06	G1/4	2.5	29	7.5	14.5	4.5	37	19	14	37	MAV06LROMD	315	315	315	315
	08	G1/4	5.5	29	7.5	14.5	4.5	37	19	17	38	MAV08LROMD	315	315	315	315
	10	G1/4	5.5	30	8.5	14.5	4.5	38	19	19	41	MAV10LROMD	315	315	315	315
	12	G1/4	5.5	30	8.5	14.5	4.5	38	19	22	43	MAV12LROMD	315	315	315	315
S ⁴⁾	06	G1/2	3.5	38	11.0	20.0	5.0	46	27	17	86	MAV06SROMD	630	630	630	630
	08	G1/2	3.5	38	11.0	20.0	5.0	46	27	19	86	MAV08SROMD	630	630	630	630
	10	G1/2	7.5	38	10.5	20.0	5.0	47	27	22	88	MAV10SROMD	630	630	630	630
	12	G1/2	7.5	38	10.5	20.0	5.0	47	27	24	93	MAV12SROMD	630	630	630	630

¹⁾ Pressure shown = item deliverable

²⁾ LL = very light series; ³⁾ L = light series; ⁴⁾ S = heavy series

$$\frac{\text{PN (bar)}}{10} = \text{PN (MPa)}$$

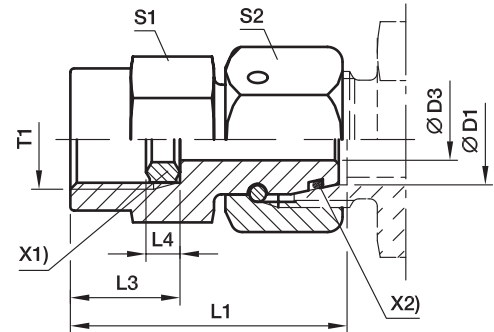
Delivery without nut and ring. Information on ordering complete fittings see page I7.

Order code suffixes		
Material	Suffix surface and material	Example
Steel, zinc plated, chrome ⁶ -free	CF	MAV10SROMDCF
Steel, zinc yellow plated	A3C	MAV10SROMDA3C
Stainless Steel	71	MAV10SROMD71
Brass	MS	MAV10SROMDMS

*Please add the **suffixes** below according to the material/surface required.

MAVE Pressure gauge swivel connector

Female BSPP thread / EO 24° DKO swivel



X1) Sealing-ring DK1
X2) O-ring OR

Series	D1 	T1	D3	L1	L3	L4	S1	S2	Weight g/1 piece	Order code*	PN (bar) ¹⁾		
											CF	A3C	71
L ³⁾	06	G1/4	2.5	35.5	14.5	4.5	19	14	46	MAVE06LR	315	315	315
	08	G1/4	4.0	35.5	14.5	4.5	19	17	52	MAVE08LR	315	315	315
	10	G1/4	5.5	36.0	14.5	4.5	19	19	59	MAVE10LR	315	315	315
	12	G1/4	5.5	36.0	14.5	4.5	19	22	70	MAVE12LR	315	315	315
S ⁴⁾	06	G1/2	2.5	42.5	20.0	5.0	27	17	95	MAVE06SR	630	630	630
	06	G1/4	2.5	35.5	14.5	4.5	19	17	52	MAVE06SR1/4	630	630	630
	08	G1/2	4.0	43.0	20.0	5.0	27	19	100	MAVE08SR	630	630	630
	08	G1/4	4.0	35.5	14.5	4.5	19	19	58	MAVE08SR1/4	630	630	630
	10	G1/2	6.0	43.5	20.0	5.0	27	22	109	MAVE10SR	630	630	630
	10	G1/4	7.0	39.0	14.5	4.5	19	22	67	MAVE10SR1/4	630	630	630
	12	G1/2	7.0	45.0	20.0	5.0	27	24	125	MAVE12SR	630	630	630
	12	G1/4	7.0	39.0	14.5	4.5	19	24	83	MAVE12SR1/4	630	630	630

¹⁾ Pressure shown = item deliverable

³⁾ L = light series; ⁴⁾ S = heavy series

$$\frac{\text{PN (bar)}}{10} = \text{PN (MPa)}$$

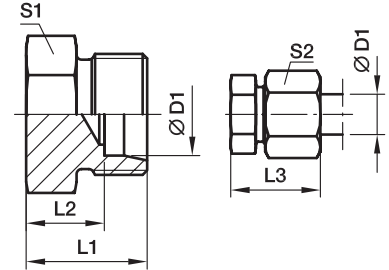
Information on ordering alternative sealing materials see page 17.

*Please add the **suffixes** below according to the material/surface required.

Order code suffixes			
Material	Suffix surface and material	Example	Standard sealing material (no additional suffix needed)
Steel, zinc plated, chrome ⁶ -free	CF	MAVE10SRCF	NBR
Steel, zinc yellow plated	A3C	MAVE10SRA3C	NBR
Stainless Steel	71	MAVE10SR71	VIT

ROV Blanking plug for tube ends

EO 24° cone end



Series	D1 	L1	L2	L3	S1	S2	Weight g/1 piece	Order code*	PN (bar) ¹⁾		
									CF	A3C	71
L ³⁾	06	14	7.0	22	12	14	8	ROV06L	315	315	315
	08	15	8.0	23	14	17	13	ROV08L	315	315	315
	10	16	9.0	24	17	19	17	ROV10L	315	315	315
	12	17	10.0	25	19	22	24	ROV12L	315	315	315
	15	18	11.0	26	24	27	41	ROV15L	315	315	315
	18	19	11.5	28	27	32	56	ROV18L	315	315	315
	22	21	13.5	30	32	36	84	ROV22L	160	160	160
	28	22	14.5	31	41	41	138	ROV28L	160	160	160
	35	25	14.5	36	46	50	203	ROV35L	160	160	160
	42	27	16.0	39	55	60	318	ROV42L	160	160	160
S ⁴⁾	06	18	11.0	26	14	17	17	ROV06S	630	630	630
	08	20	13.0	28	17	19	28	ROV08S	630	630	630
	10	20	12.5	29	19	22	33	ROV10S	630	630	630
	12	22	14.5	31	22	24	50	ROV12S	630	630	630
	14	24	16.0	34	24	27	62	ROV14S	630	630	630
	16	24	15.5	34	27	30	75	ROV16S	400	400	400
	20	28	17.5	39	32	36	125	ROV20S	400	400	400
	25	32	20.0	44	41	46	229	ROV25S	400	400	400
	30	34	20.5	47	46	50	310	ROV30S	400	400	400
	38	39	23.0	54	55	60	508	ROV38S	315	315	315

¹⁾ Pressure shown = item deliverable

³⁾ L = light series; ⁴⁾ S = heavy series

$\frac{\text{PN (bar)}}{10} = \text{PN (MPa)}$

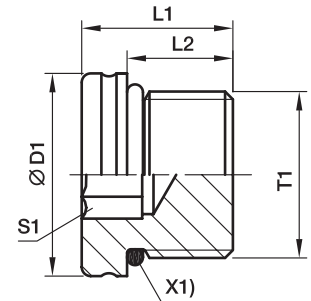
Delivery without nut and ring. Information on ordering complete fittings see page 17.

*Please add the **suffixes** below according to the material/surface required.

Order code suffixes		
Material	Suffix surface and material	Example
Steel, zinc plated, chrome ⁶ -free	CFX	ROV16SCFX
Steel, zinc yellow plated	A3CX	ROV16SA3CX
Stainless Steel	71X	ROV16S71X

VSTI M-OR Blanking plug for ports

Male metric thread – O-ring (ISO 6149)



X1) O-ring OR

T1	D1	L1	L2	S1	Weight g/1 piece	Order code*	PN (bar) ¹⁾	
							CF	A3C
M8×1	12	13.0	9.5	4	6	VSTI8X1OR	630	630
M10×1	13	13.5	9.5	5	8	VSTI10X1OR	630	630
M12×1.5	17	16.0	11.0	6	14	VSTI12X1.5OR	630	630
M14×1.5	19	16.0	11.0	6	20	VSTI14X1.5OR	630	630
M16×1.5	21	17.5	12.5	8	26	VSTI16X1.5OR	630	630
M18×1.5	23	19.0	14.0	8	37	VSTI18X1.5OR	630	630
M22×1.5	27	20.0	15.0	10	58	VSTI22X1.5OR	630	630
M26×1.5	31	21.0	16.0	12	77	VSTI26X1.5OR	400	400
M27×2	32	23.5	18.5	12	95	VSTI27X2OR	400	400
M33×2	38	25.0	18.5	14	148	VSTI33X2OR	400	400
M42×2	48	25.5	19.0	22	233	VSTI42X2OR	400	400
M48×2	55	28.0	21.5	24	336	VSTI48X2OR	400	400

¹⁾ Pressure shown = item deliverable

$$\frac{\text{PN (bar)}}{10} = \text{PN (MPa)}$$

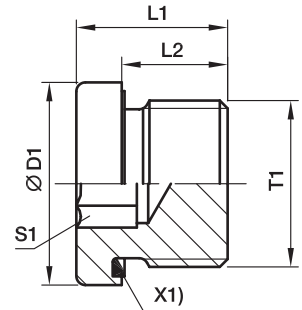
Information on ordering alternative sealing materials see page I7.

*Please add the **suffixes** below according to the material/surface required.

Order code suffixes			
Material	Suffix surface and material	Example	Standard sealing material (no additional suffix needed)
Steel, zinc plated, chrome ⁶ -free	CF	VSTI18X1.5ORCF	NBR
Steel, zinc yellow plated	A3C	VSTI18X1.5ORA3C	NBR

VSTI M/R-ED Blanking plug for ports

Male metric thread – ED-seal (ISO 9974)
 Male BSPP thread – ED-seal (ISO 1179)



X1) Eolastic-sealing ED

Male metric parallel thread T1	Male stud BSP thread T1	D1	L1	L2	S1	Weight g/1 piece	Order code*	Order code*	PN (bar) ¹⁾		
									CF	A3C	71
M 10×1	G 1/8 A	14.0	12.0	8	5	8	VSTI10X1ED	VSTI1/8ED	400	400	400
M 12×1.5		17.0	17.0	12	6	14	VSTI12X1.5ED		400	400	400
M 14×1.5	G 1/4 A	19.0	17.0	12	6	20	VSTI14X1.5ED	VSTI1/4ED	400	400	400
M 16×1.5	G 3/8 A	22.0	17.0	12	8	25	VSTI16X1.5ED	VSTI3/8ED	400	400	400
M 18×1.5		23.9	17.0	12	8	32	VSTI18X1.5ED		400	400	400
M 20×1.5		25.9	19.0	14	10	42	VSTI20X1.5ED		400	400	400
M 22×1.5	G 1/2 A	27.0	19.0	14	10	51	VSTI22X1.5ED	VSTI1/2ED	400	400	400
M 26×1.5		31.9	21.0	16	12	78	VSTI26X1.5ED		400	400	400
M 27×2	G 3/4 A	32.0	21.0	16	12	79	VSTI27X2ED	VSTI3/4ED	400	400	400
M 33×2	G 1 A	39.9	22.5	16	17	130	VSTI33X2ED	VSTI1ED	400	400	400
M 42×2	G 1 1/4 A	49.9	22.5	16	22	198	VSTI42X2ED	VSTI1 1/4ED	315	315	315
M 48×2	G 1 1/2 A	55.0	22.5	16	24	263	VSTI48X2ED	VSTI1 1/2ED	315	315	315

¹⁾ Pressure shown = item deliverable

$$\frac{\text{PN (bar)}}{10} = \text{PN (MPa)}$$

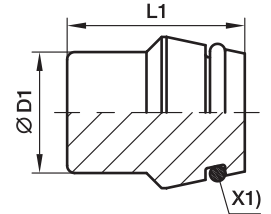
Information on ordering alternative sealing materials see page 17.

*Please add the **suffixes** below according to the material/surface required.

Order code suffixes			
Material	Suffix surface and material	Example	Standard sealing material (no additional suffix needed)
Steel, zinc plated, chrome ⁶ -free	CF	VSTI1/2EDCF	NBR
Steel, zinc yellow plated	A3C	VSTI1/2EDA3C	NBR
Stainless Steel	71	VSTI1/2ED71	VIT

VKA Blanking plug for cones

EO 24° DKO swivel



X1) O-ring OR

Series	D1 	L1	Weight g/1 piece	Order code*	PN (bar) ¹⁾			
					CF	A3C	71	MS
L ³⁾	06	18.5	6	VKA06	500	315	315	200
	08	18.5	9	VKA08	500	315	315	200
	10	20.0	15	VKA10	500	315	315	200
	12	20.5	21	VKA12	400	315	315	200
	15	20.5	32	VKA15	400	315	315	200
	18	22.5	49	VKA18	400	315	315	200
	22	25.0	80	VKA22	250	160	160	100
	28	25.5	131	VKA28	250	160	160	100
	35	30.0	240	VKA35	250	160	160	100
	42	30.0	343	VKA42	250	160	160	100
S ⁴⁾	06	18.5	6	VKA06	800	630	630	400
	08	18.5	9	VKA08	800	630	630	400
	10	20.0	15	VKA10	800	630	630	400
	12	20.5	21	VKA12	630	630	630	400
	14	22.5	30	VKA14	630	630	630	400
	16	23.5	40	VKA16	630	400	400	250
	20	28.5	78	VKA20	420	400	400	250
	25	29.0	120	VKA25	420	400	400	250
	30	30.5	180	VKA30	420	400	400	250
	38	33.0	309	VKA38	420	315	315	200

1) Pressure shown = item deliverable

3) L = light series; 4) S = heavy series

$$\frac{\text{PN (bar)}}{10} = \text{PN (MPa)}$$

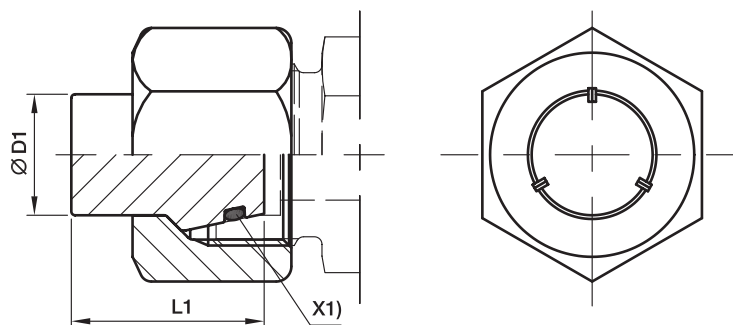
Information on ordering alternative sealing materials see page 17.

*Please add the **suffixes** below according

Order code suffixes			
Material	Suffix surface and material	Example	Standard sealing material (no additional suffix needed)
Steel, zinc plated, chrome ⁶⁾ -free	CF	VKA16CF	NBR
Steel, zinc yellow plated	A3C	VKA16A3C	NBR
Stainless Steel	71	VKA1671	VIT
Brass	MS	VKA16MS	NBR

VKAM Blanking plug with nut for cone

EO 24° DKO swivel



X1) O-ring OR

Series	D1 	L1	Weight g/1 piece	Order code*	PN (bar) ¹⁾		
					CF	A3C	71
L ³⁾	06	18.5	15	VKAM06L	500	315	315
	08	18.5	24	VKAM08L	500	315	315
	10	20.0	33	VKAM10L	500	315	315
	12	20.5	46	VKAM12L	400	315	315
	15	20.5	73	VKAM15L	400	315	315
	18	22.5	111	VKAM18L	400	315	315
	22	25.0	162	VKAM22L	250	160	160
	28	25.5	220	VKAM28L	250	160	160
	35	30.0	376	VKAM35L	250	160	160
	42	30.0	558	VKAM42L	250	160	160
S ⁴⁾	06	18.5	23	VKAM06S	800	630	630
	08	18.5	29	VKAM08S	800	630	630
	10	20.0	46	VKAM10S	800	630	630
	12	20.5	55	VKAM12S	630	630	630
	14	22.5	83	VKAM14S	630	630	630
	16	23.5	106	VKAM16S	630	400	400
	20	28.5	180	VKAM20S	420	400	400
	25	29.0	322	VKAM25S	420	400	400
	30	30.5	398	VKAM30S	420	400	400
	38	33.0	647	VKAM38S	420	315	315

1) Pressure shown = item deliverable

3) L = light series; 4) S = heavy series

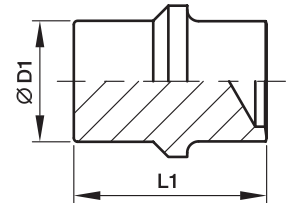
$$\frac{\text{PN (bar)}}{10} = \text{PN (MPa)}$$

Information on ordering alternative sealing materials see page 17.

Order code suffixes			
Material	Suffix surface and material	Example	Standard sealing material (no additional suffix needed)
Steel, zinc plated, chrome ⁶ -free	CF	VKAM16SCF	NBR
Steel, zinc yellow plated	A3C	VKAM16SA3C	NBR
Stainless Steel	71	VKAM16S71	VIT

 *Please add the **suffixes** below according to the material/surface required.

BUZ Blanking plug for cones



Series	D1 	L1	Weight g/1 piece	Order code*	PN (bar) ¹⁾			
					CF	A3C	71	MS
L ³⁾	06	19.5	5	BUZ06L	315	315	315	200
	08	19.5	8	BUZ08L	315	315	315	200
	10	21.0	13	BUZ10L	315	315	315	200
	12	21.8	20	BUZ12L	315	315	315	200
	15	22.0	30	BUZ15L	315	315	315	200
	18	24.0	45	BUZ18L	315	315	315	200
	22	26.0	74	BUZ22L	160	160	160	100
	28	26.5	117	BUZ28L	160	160	160	100
	35	32.0	217	BUZ35L	160	160	160	100
	42	32.5	308	BUZ42L	160	160	160	100
S ⁴⁾	06	19.5	5	BUZ06L	630	630	630	400
	08	19.5	8	BUZ08L	630	630	630	400
	10	21.0	13	BUZ10L	630	630	630	400
	12	21.8	20	BUZ12L	630	630	630	400
	14	23.5	28	BUZ14S	630	630	630	400
	16	25.5	39	BUZ16S	400	400	400	250
	20	30.5	73	BUZ20S	400	400	400	250
	25	32.5	119	BUZ25S	400	400	400	250
	30	35.5	181	BUZ30S	400	400	400	250
	38	40.0	325	BUZ38S	315	315	315	200

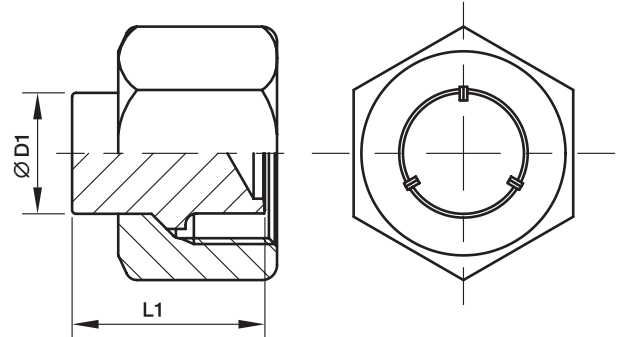
¹⁾ Pressure shown = item deliverable

³⁾ L = light series; ⁴⁾ S = heavy series

$$\frac{\text{PN (bar)}}{10} = \text{PN (MPa)}$$

*Please add the **suffixes** below according to the material/surface required.

Order code suffixes		
Material	Suffix surface and material	Example
Steel, zinc plated, chrome ⁶ -free	CFX	BUZ16SCFX
Steel, zinc yellow plated	A3CX	BUZ16SA3CX
Stainless Steel	71X	BUZ16S71X
Brass	MSX	BUZ16SMSX

BUZM Blanking plug with nut for cones


Series	D1 	L1	Weight g/1 piece	Order code*	PN (bar) ¹⁾		
					CF	A3C	71
L ³⁾	06	19.5	15	BUZM06L	315	315	315
	08	19.5	23	BUZM08L	315	315	315
	10	21.0	31	BUZM10L	315	315	315
	12	21.8	45	BUZM12L	315	315	315
	15	22.0	71	BUZM15L	315	315	315
	18	24.0	107	BUZM18L	315	315	315
	22	26.0	156	BUZM22L	160	160	160
	28	26.5	206	BUZM28L	160	160	160
	35	32.0	354	BUZM35L	160	160	160
	42	32.5	524	BUZM42L	160	160	160
S ⁴⁾	06	19.5	23	BUZM06S	630	630	630
	08	19.5	28	BUZM08S	630	630	630
	10	21.0	44	BUZM10S	630	630	630
	12	21.8	54	BUZM12S	630	630	630
	14	23.5	81	BUZM14S	630	630	630
	16	25.5	105	BUZM16S	400	400	400
	20	30.5	176	BUZM20S	400	400	400
	25	32.5	321	BUZM25S	400	400	400
	30	35.5	399	BUZM30S	400	400	400
	38	40.0	664	BUZM38S	315	315	315

¹⁾ Pressure shown = item deliverable

³⁾ L = light series; ⁴⁾ S = heavy series

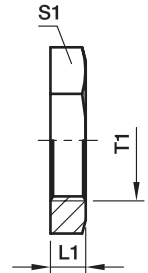
$$\frac{\text{PN (bar)}}{10} = \text{PN (MPa)}$$

*Please add the **suffixes** below according to the material/surface required.

Order code suffixes		
Material	Suffix surface and material	Example
Steel, zinc plated, chrome ⁶ -free	CF	BUZM16SCF
Steel, zinc yellow plated	A3C	BUZM16SA3C
Stainless Steel	71	BUZM16S71

GM Locknut for bulk heads

For bulkhead SV and WSV

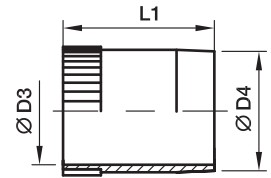


Series	Tube O.D.	T1	L1	S1	Weight g/1 piece	Order code			
						Steel CF	Steel A3C	Stainless Steel 71	Brass MS
L ³⁾	06	M 12×1.5	6	17	7	GM06LCFX	GM06LA3CX	GM06L71X	GM06LMSX
	08	M 14×1.5	6	19	8	GM08LCFX	GM08LA3CX	GM08L71X	GM08LMSX
	10	M 16×1.5	6	22	11	GM10LCFX	GM10LA3CX	GM10L71X	GM10LMSX
	12	M 18×1.5	6	24	12	GM12LCFX	GM12LA3CX	GM12L71X	GM12LMSX
	15	M 22×1.5	7	30	23	GM15LCFX	GM15LA3CX	GM15L71X	GM15LMSX
	18	M 26×1.5	8	36	37	GM18LCFX	GM18LA3CX	GM18L71X	GM18LMSX
	22	M 30×2	8	41	46	GM22LCFX	GM22LA3CX	GM22L71X	GM22LMSX
	28	M 36×2	9	46	58	GM28LCFX	GM28LA3CX	GM28L71X	GM28LMSX
	35	M 45×2	9	55	71	GM35LCFX	GM35LA3CX	GM35L71X	GM35LMSX
	42	M 52×2	10	65	123	GM42LCFX	GM42LA3CX	GM42L71X	GM42LMSX
S ⁴⁾	06	M 14×1.5	6	19	8	GM08LCFX	GM08LA3CX	GM08L71X	GM06LMSX
	08	M 16×1.5	6	22	11	GM10LCFX	GM10LA3CX	GM10L71X	GM10LMSX
	10	M 18×1.5	6	24	12	GM12LCFX	GM12LA3CX	GM12L71X	GM12LMSX
	12	M 20×1.5	6	27	15	GM12SCFX	GM12SA3CX	GM12S71X	GM12SMSX
	14	M 22×1.5	7	30	23	GM15LCFX	GM15LA3CX	GM15L71X	GM15LMSX
	16	M 24×1.5	7	32	24	GM16SCFX	GM16SA3CX	GM16S71X	GM16SMSX
	20	M 30×2	8	41	46	GM22LCFX	GM22LA3CX	GM22L71X	GM22LMSX
	25	M 36×2	9	46	58	GM28LCFX	GM28LA3CX	GM28L71X	GM28LMSX
	30	M 42×2	9	50	58	GM30SCFX	GM30SA3CX	GM30S71X	GM30SMSX
	38	M 52×2	10	65	123	GM42LCFX	GM42LA3CX	GM42L71X	GM42LMSX

³⁾ L = light series; ⁴⁾ S = heavy series

VH Support sleeve

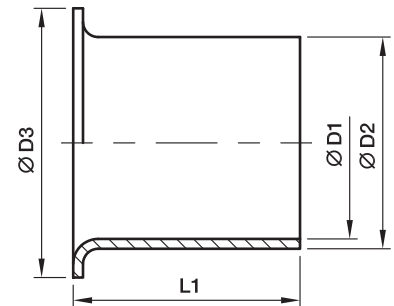
for thin-walled metal tubing



Tube I.D.	D3	D4	L1	Weight g/1 piece	Order code		
					Steel CF	Stainless Steel 71	Brass MS
4.0	2.6	3.8	14.0	0.7	VH04CFX	VH0471X	VH04MSX
4.5	3.1	4.3	14.0	0.8	VH04.5CFX	VH04.571X	VH04.5MSX
5.0	3.6	4.8	14.0	0.8	VH05CFX	VH0571X	VH05MSX
6.0	4.6	5.8	14.0	1.0	VH06CFX	VH0671X	VH06MSX
6.5	5.1	6.3	14.0	1.0	VH06.5CFX	VH06.571X	VH06.5MSX
7.0	5.6	6.8	15.5	1.3	VH07CFX	VH0771X	VH07MSX
8.0	6.6	7.8	15.5	1.6	VH08CFX	VH0871X	VH08MSX
9.0	7.6	8.8	15.5	1.8	VH09CFX	VH0971X	VH09MSX
10.0	8.6	9.8	15.5	2.1	VH10CFX	VH1071X	VH10MSX
10.5	9.1	10.3	15.5	2.3	VH10.5CFX	VH10.571X	VH10.5MSX
11.0	9.6	10.8	15.5	2.6	VH11CFX	VH1171X	VH11MSX
12.0	10.2	11.8	17.0	3.7	VH12CFX	VH1271X	VH12MSX
13.0	11.2	12.8	17.0	3.9	VH13CFX	VH1371X	VH13MSX
14.0	12.2	13.8	17.0	4.3	VH14CFX	VH1471X	VH14MSX
15.0	13.2	14.8	20.0	5.7	VH15CFX	VH1571X	VH15MSX
16.0	14.2	15.8	20.0	5.8	VH16CFX	VH1671X	VH16MSX
17.0	15.2	16.8	20.0	6.3	VH17CFX	VH1771X	VH17MSX
18.0	16.2	17.8	20.0	6.3	VH18CFX	VH1871X	VH18MSX
19.0	17.2	18.8	16.0	5.8	VH19CFX	VH1971X	VH19MSX
20.0	18.2	19.8	21.5	7.9	VH20CFX	VH2071X	VH20MSX
21.0	19.2	20.8	21.5	8.0	VH21CFX	VH2171X	VH21MSX
22.0	20.2	21.8	23.5	9.7	VH22CFX	VH2271X	VH22MSX
23.0	21.2	22.8	23.5	10.6	VH23CFX	VH2371X	VH23MSX
24.0	22.2	23.8	23.5	11.1	VH24CFX	VH2471CX	VH24MSX
25.0	23.2	24.8	23.5	10.8	VH25CFX	VH2571X	VH25MSX
26.0	24.2	25.8	23.5	12.7	VH26CFX	VH2671X	VH26MSX
27.0	25.2	26.8	23.5	12.2	VH27CFX	VH2771X	VH27MSX
30.0	27.8	29.8	26.5	18.7	VH30CFX	VH3071X	VH30MSX
31.0	28.8	30.8	26.5	20.7	VH31CFX	VH3171X	VH31MSX
32.0	29.8	31.8	26.5	19.2	VH32CFX	VH3271X	VH32MSX
33.0	30.8	32.8	26.5	19.9	VH33CFX	VH3371X	VH33MSX
34.0	31.8	33.8	26.5	26.5	VH34CFX	VH3471X	VH34MSX
38.0	35.8	37.8	21.0	19.7	VH38CFX	VH3871X	VH38MSX
39.0	36.8	38.8	21.0	19.5	VH39CFX	VH3971X	VH39MSX

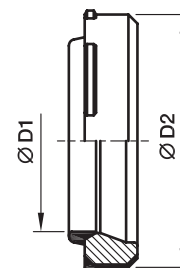
E Tube/hose insert

for plastic tubing



Tube O.D.	Tube I.D.	D1	D2	D3	L1	Weight g/1 piece	Order code Brass
04	2.0	1.3	2.0	3.5	8	1	E04/02X
04	2.5	1.7	2.5	4.0	8	1	E04/2.5X
05	3.0	2.2	3.0	5.0	14	1	E0506/03X
06	3.0	2.2	3.0	5.0	14	1	E0506/03X
05	4.0	3.2	4.0	5.0	14	1	E0506/04X
06	4.0	3.2	4.0	5.0	14	1	E0506/04X
08	4.0	3.2	4.0	6.6	14	1	E08/04X
06	5.0	4.0	5.0	6.0	14	1	E06/05X
08	5.0	4.0	5.0	6.0	14	1	E08/05X
10	6.0	5.0	6.0	8.0	15	1	E0810/06X
08	6.0	5.0	6.0	8.0	15	1	E0810/06X
10	8.0	6.7	8.0	10.0	15	1	E10/08X
12	8.0	6.7	8.0	12.0	15	2	E12/08X
12	9.0	7.7	9.0	12.0	15	2	E12/09X
12	10.0	8.7	10.0	12.0	15	2	E1215/10X
15	12.0	10.7	12.0	14.8	15	3	E15/12X
15	12.5	11.2	12.5	14.8	15	3	E1516/12.5X
16	12.5	11.2	12.5	14.8	15	3	E1516/12.5X
18	14.0	12.7	14.0	17.8	15	4	E18/14X
18	16.0	14.7	16.0	17.8	20	4	E1820/16X
20	16.0	14.7	16.0	17.8	20	4	E1820/16X
22	18.0	16.7	18.0	21.8	16	5	E22/18X

DOZ EO-2 Soft sealing ring



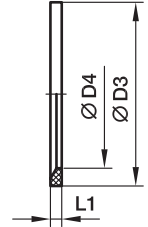
Assembl direction:
Sealing lip shows to the tube end

Series	D1 	D2	Weight g/1 piece	Order code			
				Steel NBR	Steel FKM	Stainless Steel FKM	Stainless Steel NBR
LL ²⁾	04	6.8	1	DOZ04LL	—	—	—
	06	8.8	1	DOZ06LL	—	—	—
L ³⁾	06	10.3	1	DOZ06L	DOZ06LVIT	DOZ06L71	DOZ06LNBR71
	08	12.3	1	DOZ08L	DOZ08LVIT	DOZ08L71	DOZ08LNBR71
	10	14.3	2	DOZ10L	DOZ10LVIT	DOZ10L71	DOZ10LNBR71
	12	16.3	2	DOZ12L	DOZ12LVIT	DOZ12L71	DOZ12LNBR71
	15	20.3	3	DOZ15L	DOZ15LVIT	DOZ15L71	DOZ15LNBR71
	18	24.3	5	DOZ18L	DOZ18LVIT	DOZ18L71	DOZ18LNBR71
	22	27.7	6	DOZ22L	DOZ22LVIT	DOZ22L71	DOZ22LNBR71
	28	33.7	7	DOZ28L	DOZ28LVIT	DOZ28L71	DOZ28LNBR71
	35	42.7	14	DOZ35L	DOZ35LVIT	DOZ35L71	DOZ35LNBR71
	42	49.7	17	DOZ42L	DOZ42LVIT	DOZ42L71	DOZ42LNBR71
S ⁴⁾	06	12.3	2	DOZ06S	DOZ06SVIT	DOZ06S71	DOZ06SNBR71
	08	14.3	2	DOZ08S	DOZ08SVIT	DOZ08S71	DOZ08SNBR71
	10	16.3	3	DOZ10S	DOZ10SVIT	DOZ10S71	DOZ10SNBR71
	12	18.3	4	DOZ12S	DOZ12SVIT	DOZ12S71	DOZ12SNBR71
	14	20.3	4	DOZ14S	DOZ14SVIT	DOZ14S71	DOZ14SNBR71
	16	22.3	5	DOZ16S	DOZ16SVIT	DOZ16S71	DOZ16SNBR71
	20	27.7	9	DOZ20S	DOZ20SVIT	DOZ20S71	DOZ20SNBR71
	25	33.7	13	DOZ25S	DOZ25SVIT	DOZ25S71	DOZ25SNBR71
	30	39.7	18	DOZ30S	DOZ30SVIT	DOZ30S71	DOZ30SNBR71
	38	49.7	27	DOZ38S	DOZ38SVIT	DOZ38S71	DOZ38SNBR71

²⁾ LL = very light series; ³⁾ L = light series; ⁴⁾ S = heavy series

ED Eolastic soft seal (for BSPP and metric parallel threads)

For Type: GE...ED, EGE...ED, EVGE...ED, EW...ED, EV...ED, ET...ED, EL...ED,
VSTI...ED, RI...ED

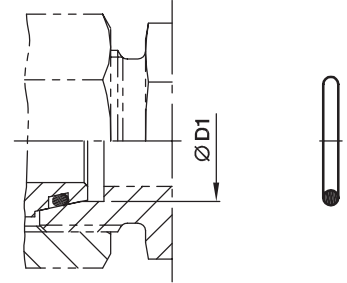


Male stud metric thread T1	Male stud BSP thread T1	D3	D4	L1	Weight g/1 piece	Order code NBR	Order code FKM
M 8×1		9.9	6.5	1.0	0.1	ED8X1X	ED8X1VITX
M 10×1	G 1/8 A	11.9	8.4	1.0	0.1	ED10X1X	ED10X1VITX
M 12×1.5		14.4	9.8	1.5	0.2	ED12X1.5X	ED12X1.5VITX
M 14×1.5	G 1/4 A	16.5	11.6	1.5	0.2	ED14X1.5X	ED14X1.5VITX
M 16×1.5		18.9	13.8	1.5	0.1	ED16X1.5X	ED16X1.5VITX
	G 3/8 A	18.9	14.7	1.5	0.2	ED3/8X	ED3/8VITX
M 18×1.5		20.9	15.7	1.5	0.1	ED18X1.5X	ED18X1.5VITX
M 20×1.5		22.9	17.8	1.5	0.2	ED20X1.5X	ED20X1.5VITX
	G 1/2 A	23.9	18.5	1.5	0.3	ED1/2X	ED1/2VITX
M 22×1.5		24.3	19.6	1.5	0.2	ED22X1.5X	ED22X1.5VITX
M 26×1.5	G 3/4 A	29.2	23.9	1.5	0.4	ED26X1.5X	ED26X1.5VITX
M 27×2	G 3/4 A	29.2	23.9	1.5	0.4	ED26X1.5X	ED26X1.5VITX
M 33×2	G 1 A	35.7	29.7	2.0	0.7	ED33X2X	ED33X2VITX
M 42×2	G 1 1/4 A	45.8	38.8	2.0	0.9	ED42X2X	ED42X2VITX
M 48×2	G 1 1/2 A	50.7	44.7	2.0	1.0	ED48X2X	ED48X2VITX

OR O-Ring for fittings with EO 24° DKO swivel

For Type:

DA, EGE, EGEO, MAVE, EW, EV, ET, EL, RED, GZ, GZR, VKA, VKAM



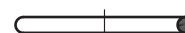
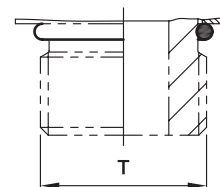
Series	D1 	O-ring NBR Shore-hardness approx. 90	O-ring FKM Shore-hardness approx. 90
L ³⁾	6	OR4.5X1.5X	OR4.5X1.5VITX
	8	OR6.5X1.5X	OR6.5X1.5VITX
	10	OR8.5X1.5X	OR8X1.5VITX
	12	OR10.5X1.5X	OR10X1.5VITX
	15	OR12.5X1.5X	OR12X2VITX
	18	OR16X2X	OR15X2VITX
	22	OR20X2X	OR20X2VITX
	28	OR26X2X	OR26X2VITX
	35	OR32X2.5X	OR32X2.5VITX
	42	OR39X2.5X	OR38X2.5VITX
S ⁴⁾	6	OR4.5X1.5X	OR4.5X1.5VITX
	8	OR6.5X1.5X	OR6.5X1.5VITX
	10	OR8.5X1.5X	OR8X1.5VITX
	12	OR10.5X1.5X	OR10X1.5VITX
	14	OR12X2X	OR11X2VITX
	16	OR14X2X	OR13X2VITX
	20	OR17X2.5X	OR16.3X2.4VITX
	25	OR22X2.5X	OR20.3X2.4VITX
	30	OR27X2.5X	OR25.3X2.4VITX
	38	OR35X2.5X	OR33.3X2.4VITX

³⁾ L = light series; ⁴⁾ S = heavy series

OR O-rings for male stud ends

Male metric thread – O-ring (ISO 6149)

Male UN/UNF thread – O-ring (ISO 11926)



Types with metric thread: WEE-OR, TEE-OR, LEE-OR, VEE-OR, VSTI-OR, GEO, EGEO

Thread T	O-ring NBR	O-ring FKM
M8 × 1	OR6.1X1.6	OR6.1X1.6VITX
M10 × 1	OR8.1X1.6	OR8.1X1.6VITX
M12 × 1.5	OR9.3X2.2	OR9.3X2.2VITX
M14 × 1.5	OR11.3X2.2	OR11.3X2.2VITX
M16 × 1.5	OR13.3X2.2	OR13.3X2.2VITX
M18 × 1.5	OR15.3X2.2	OR15.3X2.2VITX
M22 × 1.5	OR19.3X2.2	OR19.3X2.2VITX
M27 × 2	OR23.6X2.9	OR23.6X2.9VITX
M33 × 2	OR29.6X2.9	OR29.6X2.9VITX
M42 × 2	OR38.6X2.9	OR38.6X2.9VITX
M48 × 2	OR44.6X2.9	OR44.6X2.9VITX

Types with UN/UNF thread:

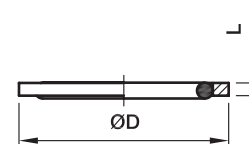
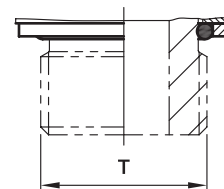
WEE-UNF, TEE-UNF, LEE-UNF, VEE-UNF, GE-UNF

Thread T	O-ring NBR	O-ring FKM
7/16-20 UNF	OR8.92X1.83	OR8.92X1.83VITX
9/16-18 UNF	OR11.89X1.98	OR11.89X1.98VITX
3/4-16 UNF	OR16.36X2.21	OR16.36X2.21VITX
7/8-14 UNF	OR19.18X2.46	OR19.18X2.46VITX
1 1/16-12 UN	OR23.47X2.95	OR23.47X2.95VITX
1 5/16-12 UN	OR29.74X2.95	OR29.74X2.95VITX
1 5/8-12 UN	OR37.46X3	OR37.46X3VITX
1 7/8-12 UN	OR43.69X3	OR43.69X3VITX

OR O-rings and retaining rings for steel male stud ends

Adjustable metric thread – O-ring + retaining ring

Adjustable BSPP thread – O-ring + retaining ring (ISO 1179)



Types with metric thread: WEE-M, TEE-M, LEE-M, VEE-M

Thread T	O-ring NBR	O-ring FKM	D	L	Order code Retaining ring	
					CF	A3C
M10 × 1	OR8X1.88X	OR8X1.88VITX	14.8	1.4	RRSM10CF	RRSM10A3C
M12 × 1.5	OR9.3X2.2X	OR9.3X2.2VITX	17.8	1.6	RRSM12CF	RRSM12A3C
M14 × 1.5	OR11.3X2.2X	OR11.3X2.2VITX	19.8	1.6	RRSM14CF	RRSM14A3C
M16 × 1.5	OR13.3X2.2X	OR13.3X2.2VITX	22.8	1.6	RRSM16CF	RRSM16A3C
M18 × 1.5	OR15.54X2.62X	OR15.54X2.62VITX	24.8	2.1	RRSM18CF	RRSM18A3C
M22 × 1.5	OR19.3X2.2X	OR19.3X2.2VITX	27.8	1.8	RRSM22CF	RRSM22A3C
M27 × 2	OR23X3X	OR23X3VITX	32.8	2.3	RRSM27CF	RRSM27A3C
M33 × 2	OR29.2X3X	OR29.2X3VITX	40.8	2.5	RRSM33CF	RRSM33A3C
M42 × 2	OR37.69X3.53X	OR37.69X3.53VITX	50.8	2.6	RRSM42CF	RRSM42A3C
M48 × 2	OR43.69X3X	OR43.69X3VITX	55.8	2.3	RRSM48CF	RRSM48A3C

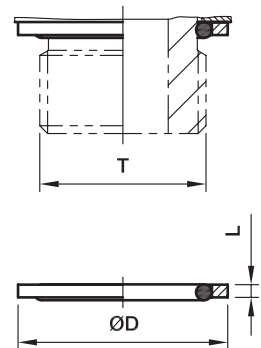
Types with BSPP thread: WEE-R, TEE-R, LEE-R, VEE-R

Thread T	O-ring NBR	O-ring FKM	D	L	Order code Retaining ring	
					CF	A3C
G 1/8 A	OR8X1.88X	OR8X1.88VITX	14.8	1.4	RRS1/8CF	RRS1/8A3C
G 1/4 A	OR10.77X2.62X	OR10.77X2.62VITX	19.8	1.9	RRS1/4CF	RRS1/4A3C
G 3/8 A	OR13.94X2.62X	OR13.94X2.62VITX	22.8	2.0	RRS3/8CF	RRS3/8A3C
G 1/2 A	OR18X3.15X	OR18X3.15VITX	27.8	2.6	RRS1/2CF	RRS1/2A3C
G 3/4 A	OR23X3X	OR23X3VITX	32.8	2.5	RRS3/4CF	RRS3/4A3C
G 1 A	OR29.74X3.53X	OR29.74X3.53VITX	40.8	2.5	RRS1CF	RRS1A3C
G 1 1/4 A	OR37.69X3.53X	OR37.69X3.53VITX	50.8	2.6	RRS1 1/4CF	RRS1 1/4A3C
G 1 1/2 A	OR44.04X3.53X	OR44.04X3.53VITX	55.8	2.6	RRS1 1/2CF	RRS1 1/2A3C

OR O-rings and retaining rings for stainless steel male stud ends

Adjustable metric thread – O-ring + retaining ring

Adjustable BSPP thread – O-ring + retaining ring (ISO 1179)



Types with metric thread: WEE-M, TEE-M, LEE-M, VEE-M

Thread T	O-ring FKM	O-ring NBR	D	L	Order code Retaining ring Stainless Steel
M10 × 1	OR8X1.5VITX	OR8X1.5X	14.8	1.0	RRM10X1SS
M12 × 1.5	OR9.25X1.78VITX	OR9.25X1.78X	17.8	1.3	RRM12X1.5SS
M14 × 1.5	OR11X2VITX	OR11X2X	19.8	1.3	RRM14X1.5SS
M16 × 1.5	OR13.4X2.1VITX	OR13.4X2.1X	21.8	1.5	RRM16X1.5SS
M18 × 1.5	OR15.54X2.62VITX	OR15.54X2.62X	23.8	2.0	RRM18X1.5SS
M22 × 1.5	OR18.77X1.78VITX	OR18.77X1.78X	27.8	1.3	RRM22X1.5SS
M27 × 2	OR23.47X2.62VITX	OR23.47X2.62X	32.8	2.0	RRM27X2SS
M33 × 2	OR29.7X2.8VITX	OR29.7X2.8X	39.8	2.0	RRM33X2SS
M42 × 2	OR37.7X2.62VITX	OR37.7X2.62X	49.8	2.0	RRM42X2SS
M48 × 2	OR44.12X2.62VITX	OR44.12X2.62X	55.0	2.0	RRM48X2SS

Types with parallel thread: WEE-R, TEE-R, LEE-R, VEE-R

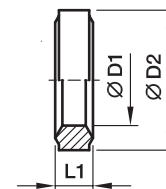
Thread T	O-ring FKM	O-ring NBR	D	L	Order code Retaining ring Stainless Steel
G 1/8 A	OR8X1.88VITX	OR8X1.88X	15.0	1.4	8207SS1/8
G 1/4 A	OR10.77X2.62VITX	OR10.77X2.62X	19.5	1.9	8207SS1/4A
G 3/8 A	OR13.94X2.62VITX	OR13.94X2.62X	23.5	1.9	8207SS3/8A
G 1/2 A	OR17.96X2.62VITX	OR17.96X2.62X	28.5	1.9	8207SS1/2
G 3/4 A	OR23.47X2.62VITX	OR23.47X2.62X	34.5	1.9	8207SS3/4
G 1 A	OR29.74X3.53VITX	OR29.74X3.53X	43.5	2.6	8207SS1A
G 1 1/4 A	OR37.69X3.53VITX	OR37.69X3.53X	52.5	2.6	8207SS1 1/4
G 1 1/2 A	OR44.04X3.53VITX	OR44.04X3.53X	60.0	2.6	8207SS1 1/2

OR O-Rings for banjo fittings WH/TH

For WH / TH	For WH / TH	O-ring NBR	O-ring FKM
06LM/LR		OR9.3X1.5X	OR9.3X1.5VITX
08LM/LR	06SM/SR	OR12.5X1.5X	OR12.5X1.5VITX
10LM/LR	08SM/SR	OR12.5X1.5X	OR12.5X1.5VITX
12LM/LR	10SM/SR	OR16X1.5X	OR16X1.5VITX
	12SR	OR16X1.5X	OR16X1.5VITX
15LM	12SM	OR18X1.5X	OR18X1.5VITX
15LR	14SM/SR	OR20X1.5X	OR20X1.5VITX
18LM/LR	16SM/SR	OR20X1.5X	OR20X1.5VITX
22LM/LR	20SM/SR	OR25X2X	OR25X2VITX
28LM/LR	25SM/SR	OR33X2.5X	OR33X2.5VITX
35LM/LR	30SM/SR	OR41X2.5X	OR41X2.5VITX
42LM/LR	38SM/SR	OR46X3X	OR46X3VITX

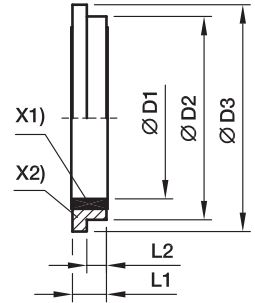
DKI Sealing ring for pressure gauge connectors

Female thread	D1	D2	L1	Weight g/1 piece	Order code	
					Steel CF	Stainless Steel 71
G 1/4 A	6	11.3	4.5	2.5	DKI1/4CFX	DKI1/471X
G 1/2 A	12	18.5	5.0	5.0	DKI1/2CFX	DKI1/271X



KDS Soft sealing ring for banjo fittings WH/TH from steel

for small and wide spot faces of ports

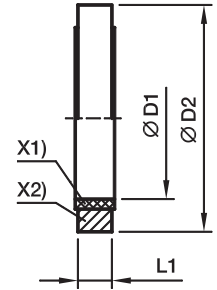


X1) NBR sealing
X2) Supporting-ring (Steel)

For WH and TH	For thread		D1	D2	D3	L1	L2	Weight g/1 piece	Order code Steel/NBR	Order code Steel/FKM
06LM/LRKDS	M10×1	G 1/8 A	10.3	14.9	16.0	2.5	1.1	2	KDS10A3CX	KDS10VITA3CX
06SM/08LMKDS	M12×1.5		12.3	17.0	18.0	3.0	1.6	2	KDS12A3CX	KDS12VITA3CX
06SRKDS	M14×1.5	G 1/4 A	14.3	18.9	20.0	3.0	1.6	2	KDS14A3CX	KDS14VITA3CX
08LR/SM/SRKDS	M14×1.5	G 1/4 A	14.3	18.9	20.0	3.0	1.6	2	KDS14A3CX	KDS14VITA3CX
10LM/LRKDS	M14×1.5	G 1/4 A	14.3	18.9	20.0	3.0	1.6	2	KDS14A3CX	KDS14VITA3CX
10SM/SRKDS	M16×1.5	G 3/8 A	17.0	21.9	24.0	3.0	2.1	3	KDS16A3CX	KDS16VITA3CX
12LM/LR/SRKDS	M16×1.5	G 3/8 A	17.0	21.9	24.0	3.0	2.1	3	KDS16A3CX	KDS16VITA3CX
12SM/15LMKDS	M18×1.5		18.3	23.9	23.9	3.0		4	KDS18A3CX	KDS18VITA3CX
15LRKDS	M22×1.5	G 1/2 A	22.3	26.9	30.0	4.5	2.6	7	KDS22A3CX	KDS22VITA3CX
16SM/SRKDS	M22×1.5	G 1/2 A	22.3	26.9	30.0	4.5	2.6	7	KDS22A3CX	KDS22VITA3CX
18LM/LRKDS	M22×1.5	G 1/2 A	22.3	26.9	30.0	4.5	2.6	7	KDS22A3CX	KDS22VITA3CX
22LMKDS	M26×1.5		26.3	31.9	35.0	3.5	2.6	7	KDS26A3CX	KDS26VITA3CX
20SM/SRKDS	M27×2	G 3/4 A	27.3	32.9	38.0	3.5	2.6	8	KDS27A3CX	KDS27VITA3CX
22LRKDS	M27×2	G 3/4 A	27.3	32.9	38.0	3.5	2.6	8	KDS27A3CX	KDS27VITA3CX
25SM/SRKDS	M33×2	G 1 A	33.6	39.9	42.0	3.5	2.6	10	KDS33A3CX	KDS33VITA3CX
28LM/LRKDS	M33×2	G 1 A	33.6	39.9	42.0	3.5	2.6	10	KDS33A3CX	KDS33VITA3CX
30SM/SRKDS	M42×2	G 1 1/4 A	42.4	49.9	49.9	3.5		12	KDS42A3CX	KDS42VITA3CX
35LM/LRKDS	M42×2	G 1 1/4 A	42.4	49.9	49.9	3.5		12	KDS42A3CX	KDS42VITA3CX
38SM/SRKDS	M48×2	G 1 1/2 A	48.4	55.9	60.0	3.5	2.6	16	KDS48A3CX	KDS48VITA3CX
42LM/LRKDS	M48×2	G 1 1/2 A	48.4	55.9	60.0	3.5	2.6	16	KDS48A3CX	KDS48VITA3CX

KD Soft sealing ring for banjo fittings WH/TH from stainless steel

for wide spot faces of ports

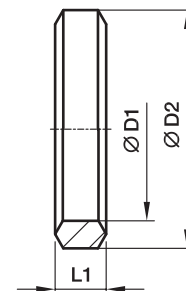


X1) PTFE sealing
X2) Supporting-ring (Stainless Steel)

For WH and TH	For thread	D1	D2	L1	Weight g/1 piece	Order code
06LRKD71	G 1/8 A	10.0	17.0	2.5	2	KD1/871
08LR/06SRKD71	G 1/4 A	13.5	22.0	3.0	4	KD1/471
10LR/08SRKD71	G 1/4 A	13.5	22.0	3.0	4	KD1/471
12LR/10SRKD71	G 3/8 S	17.1	27.0	3.0	6	KD3/871
12SRKD71	G 3/8 A	17.1	27.0	3.0	6	KD3/871
15LR/14SRKD71	G 1/2 A	21.4	32.0	4.5	12	KD1/271
18LR/16SRKD71	G 1/2 A	21.4	32.0	4.5	12	KD1/271
22LR/20SRKD71	G 3/4 A	26.8	41.0	3.5	17	KD3/471
28LR/25SRKD71	G 1 A	33.5	46.0	3.5	17	KD171
35LR/30SRKD71	G 1 1/4 A	42.4	57.0	3.5	26	KD11/471
42LR/38SRKD71	G 1 1/2 A	48.4	64.0	3.5	35	KD11/271
06LMKD71	M 10×1	10.3	17.0	2.5	2	KD1071
08LM/06SMKD71	M 12×1.5	12.3	22.0	3.0	5	KD1271
10LM/08SMKD71	M 14×1.5	14.3	22.5	3.0	5	KD1471
12LM/10SMKD71	M 16×1.5	16.4	27.0	3.0	9	KD1671
15LM/12SMKD71	M 18×1.5	18.4	29.0	3.0	9	KD1871
14SMKD71	M 20×1.5	20.4	32.0	3.0	9	KD2071
18LM/16SMKD71	M 22×1.5	22.4	32.0	4.5	12	KD2271
22LMKD71	M 26×1.5	26.4	41.0	3.5	18	KD2671
20SMKD71	M 27×2	27.4	41.0	3.5	18	KD2771
28LM/25SMKD71	M 33×2	33.5	46.0	3.5	17	KD171
35LM/30SMKD71	M 42×2	42.4	57.0	3.5	26	KD11/471
42LM/38SMKD71	M 48×2	48.4	64.0	3.5	35	KD11/271

DKAZ Sealing ring

for low pressure banjos DSVW

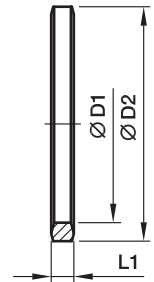


For DSVW		Metric thread parallel	D1	D2	L1	Weight g/1 piece	Order code	
							Steel CF	Steel A3C
06LM		M10×1	10.1	14	3.2	2	DKAZ10CFX	DKAZ10A3CX
08LM	06SM	M12×1.5	12.1	17	4.2	3	DKAZ12CFX	DKAZ12A3CX
10LM	08SM	M14×1.5	14.1	19	4.5	4	DKAZ14CFX	DKAZ14A3CX
12LM	10SM	M16×1.5	16.1	21	4.5	4	DKAZ16CFX	DKAZ16A3CX
15LM	12SM	M18×1.5	18.1	23	4.5	5	DKAZ18CFX	DKAZ18A3CX
	14SM	M20×1.5	20.1	25	4.5	5	DKAZ20CFX	DKAZ20A3CX
18LM	16SM	M22×1.5	22.1	27	4.5	6	DKAZ22CFX	DKAZ22A3CX
22LM		M26×1.5	26.1	31	4.5	7	DKAZ26CFX	DKAZ26A3CX
		M27×2	27.1	32	5.0	8	DKAZ27CFX	DKAZ27A3CX
28LM	20SM	M33×2	33.1	39	6.0	15	DKAZ33CFX	DKAZ33A3CX
35LM	30SM	M42×2	42.1	49	6.5	22	DKAZ11/4CFX	DKAZ11/4A3CX
42LM	38SM	M48×2	48.1	55	6.5	25	DKAZ11/2CFX	DKAZ11/2A3CX

For DSVW		BSPP thread parallel	D1	D2	L1	Weight g/1 piece	Order code	
							Steel CF	Steel A3C
06LR		G1/8A	9.8	14	3.2	2	DKAZ1/8CFX	DKAZ1/8A3CX
08LR/10LR	06SR/08SR	G1/4A	13.3	18	4.5	4	DKAZ1/4CFX	DKAZ1/4A3CX
12LR	10SR/12SR	G3/8A	16.8	22	4.5	5	DKAZ3/8CFX	DKAZ3/8A3CX
15LR/18LR	14SR/16SR	G1/2A	21.1	26	5.0	6	DKAZ1/2CFX	DKAZ1/2A3CX
22LR	20SR	G3/4A	26.6	32	5.0	11	DKAZ3/4CFX	DKAZ3/4A3CX
28LR	25SR	G1A	33.4	39	6.0	14	DKAZ1CFX	DKAZ1A3CX
35LR	30SR	G11/4A	42.1	49	6.5	22	DKAZ11/4CFX	DKAZ11/4A3CX
42LR	38SR	G11/2A	48.1	55	6.5	25	DKAZ11/2CFX	DKAZ11/2A3CX

DKA Sealing ring

for banjo fittings WH/TH and SWVE



WH/TH		For: SWVE		BSPB thread	D1	D2	L1	Weight g/1 piece	Steel CF	Order code Steel A3C	Stainless Steel 71
06LR		04/06/08-LLR	06LR	G 1/8 A	9.8	14	2.5	1	DKA1/8CFX	DKA1/8A3CX	DKA1/871X
08LR	06SR	08LR	06SR	G 1/4 A	13.3	18	3.0	3	DKA1/4CFX	DKA1/4A3CX	DKA1/471X
10LR	08SR	10LR	08SR	G 1/4 A	13.3	18	3.0	3	DKA1/4CFX	DKA1/4A3CX	DKA1/471X
12LR	10SR	12LR	10SR	G 3/8 A	16.8	22	3.0	3	DKA3/8CFX	DKA3/8A3CX	DKA3/871X
	12SR		12SR	G 3/8 A	16.8	22	3.0	3	DKA3/8CFX	DKA3/8A3CX	DKA3/871X
		15/18LR	14/16SR	G 1/2 A	21.1	26	3.0	4	DKA1/2CFX	DKA1/2A3CX	
15LR	14SR			G 1/2 A	21.1	26	4.5	6	DKA1/2X4.5CFX	DKA1/2X4.5A3CX	DKA1/2X4.571X
18LR	16SR			G 1/2 A	21.1	26	4.5	6	DKA1/2X4.5CFX	DKA1/2X4.5A3CX	DKA1/2X4.571X
22LR	20SR	22LR	20SR	G 3/4 A	26.6	32	3.5	6	DKA3/4CFX	DKA3/4A3CX	DKA3/471X
28LR	25SR			G 1 A	33.4	39	3.5	8	DKA1CFX	DKA1A3CX	DKA171X
35LR	30SR			G 1 1/4 A	42.1	49	3.5	12	DKA11/4CFX	DKA11/4A3CX	DKA11/471X
42LR	38SR			G 1 1/2 A	48.1	55	3.5	15	DKA11/2CFX	DKA11/2A3CX	DKA11/271X

WH/TH		For: SWVE		Male stud metric thread	D1	D2	L1	Weight g/1 piece	Steel CF	Order code Steel A3C	Stainless Steel 71
06LM		04LLM	06LM	M 8×1	8.1	12	2.5	1	DKA08CFX	DKA08A3CX	
08LM	06SM	06/08LLM	06SM	M 10×1	10.1	14	3.0	1	DKA10CFX	DKA10A3CX	DKA1071X
10LM	08SM	10LM	08SM	M 12×1.5	12.1	17	3.0	2	DKA12CFX	DKA12A3CX	DKA1271X
12LM	10SM	12LM	10SM	M 14×1.5	14.1	19	3.0	3	DKA14CFX	DKA14A3CX	DKA1471X
				M 16×1.5	16.1	21	3.0	3	DKA16CFX	DKA16A3CX	DKA1671X
15LM	12SM	15LM	12SM	M 18×1.5	18.1	23	3.0	3	DKA18CFX	DKA18A3CX	DKA1871X
	14SM		14-SM	M 20×1.5	20.1	25	3.0	4	DKA20CFX	DKA20A3CX	DKA2071X
		18LM	16SM	M 22×1.5	22.1	27	3.0	4	DKA22CFX	DKA22A3CX	
18LM	16SM			M 22×1.5	22.1	27	4.5	6	DKA22X4.5CFX	DKA22X4.5A3CX	DKA22X4.571X
			22LM	M 26×1.5	26.1	31	3.0	6	DKA26CFX	DKA26A3CX	
22LM		20SM	20SM	M 26×1.5	26.1	31	3.5	6	DKA26X3.5CFX	DKA26X3.5A3CX	DKA26X3.571X
				M 27×2	27.1	32	3.5	6	DKA27CFX	DKA27A3CX	DKA2771X
28LM	25SM			M 33×2	33.1	39	3.5	8	DKA33CFX	DKA33A3CX	DKA3371X
35LM	30SM			M 42×2	42.1	49	3.5	12	DKA11/4CFX	DKA11/4A3CX	DKA11/471X
42LM	38SM			M 48×2	48.1	55	3.5	15	DKA11/2CFX	DKA11/2A3CX	DKA11/271X